



ACADIAN STRUCTURAL SOLUTIONS, INC.
 57362 ALLEN RD., SUITE 11, LA. 70461
 PHONE (985) 641-5794 FAX (985) 641-1239
 PLANS@ACADIANSS.COM

RESIDENCE JOSEPHINE
 CONDOMINIUMS
 ST. THOMAS ST., NEW ORLEANS, LOUISIANA
 K. B. KAUFMANN
 TERRACE AVE. EAST, SUITE 11, LOUISIANA

SCALE: 1/8" = 1'-0"
 DATE: 1 JAN 16
 DRAWN BY: BPH
 CHECKED BY: BPH
 ASS PROJECT #: 20-15

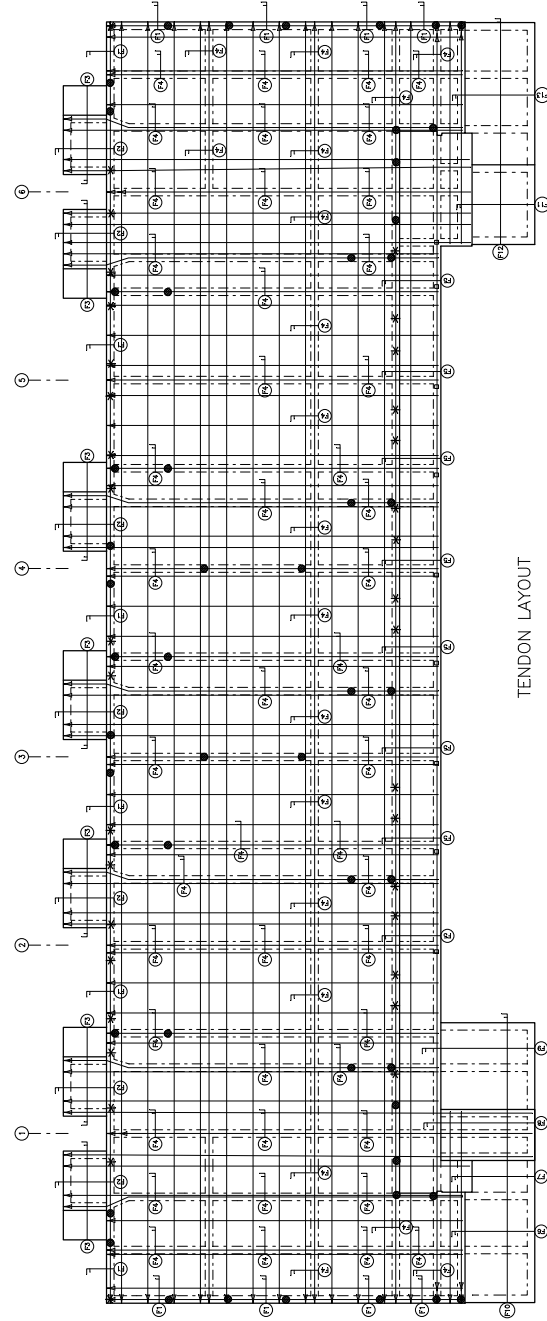
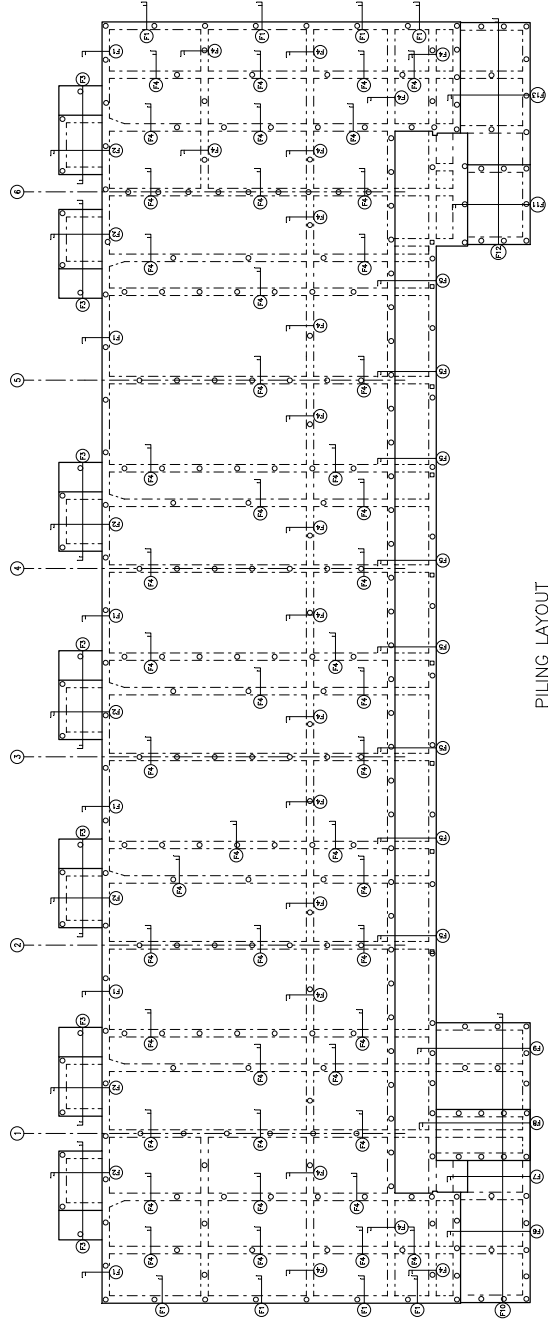
DATE	REVISIONS
3 DEC 15	PRELIMINARY PRICING
4 JAN 16	FOR PERMITTING

SHEET
 S-3

THIS PLAN IS ONLY VALID ONE YEAR FROM DATE ON PLAN

LEGEND

●	ASB ROD SYSTEM BY CARPSON STRONG IR
*	ST0014





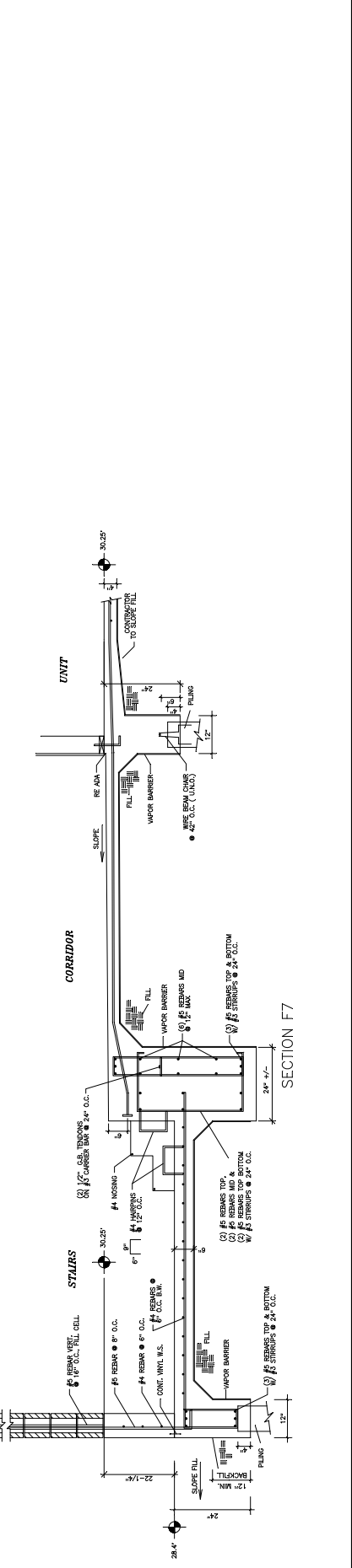
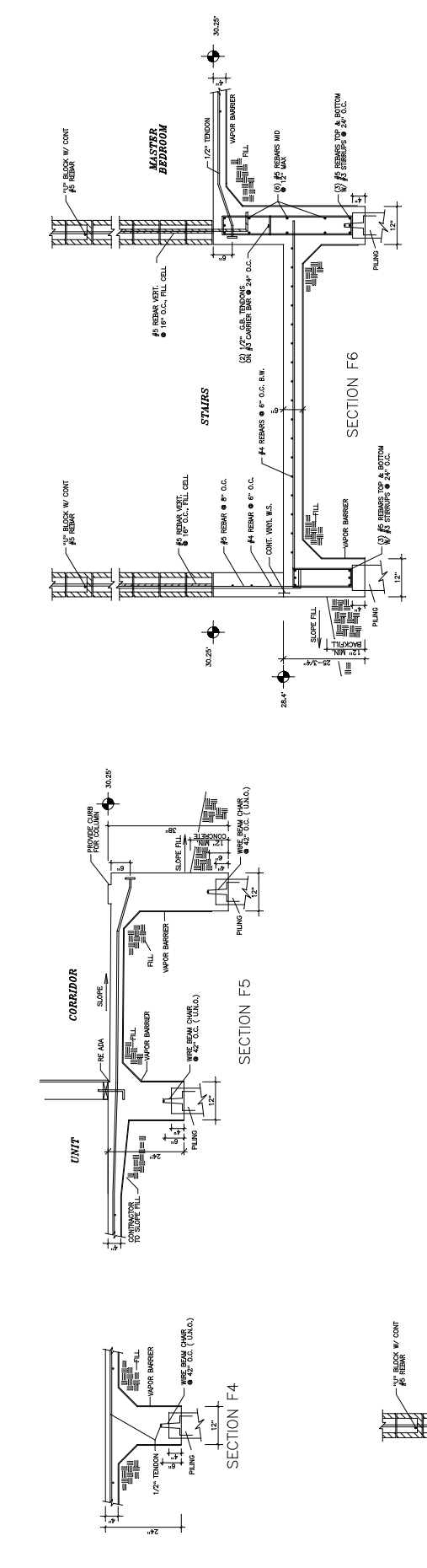
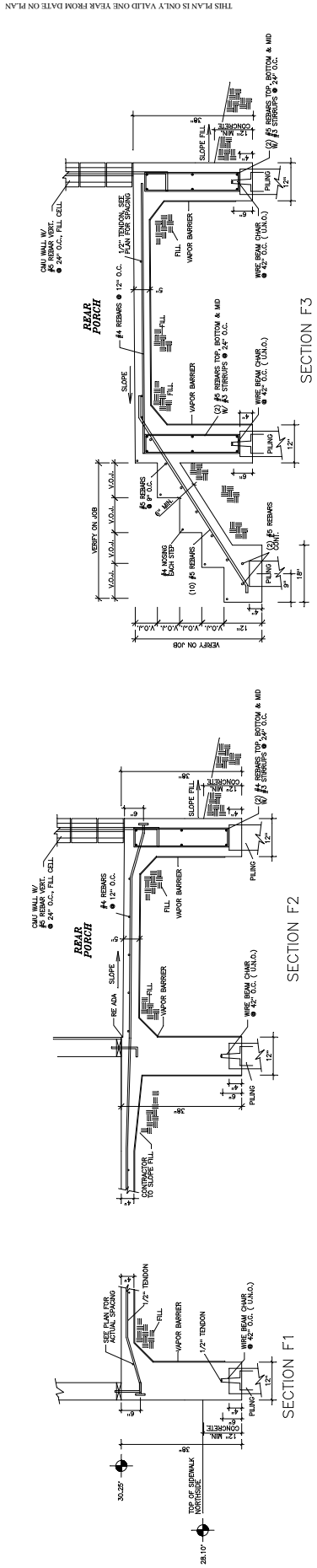
ACADIAN STRUCTURAL SOLUTIONS, INC.
 57362 ALLEN RD, SIDDELL, LA 70461
 PHONE (985) 641-7594 FAX (985) 641-1239
 PLANS@ACADIANSS.COM

RESIDENCE JOSEPHINE
 CONDOMINIUMS
 ST. THOMAS ST., NEW ORLEANS, LOUISIANA
 TERRACE AVE. EAST, SIDDELL, LOUISIANA

SCALE: 3/4" = 1'-0"
 DATE: 1 JAN 16
 DRAWN BY: BPH
 CHECKED BY: BPH
 ASS PROJECT #: 720-15

DATE	3 DEC 15
REVISIONS	PRELIMINARY PRICING
DATE	4 JAN 16
REVISIONS	FOR PERMITTING

SHEET
 S-4.0



THIS PLAN IS ONLY VALID ONE YEAR FROM DATE ON PLAN



CERT. # 5169

ACADIAN STRUCTURAL SOLUTIONS, INC.
 57362 ALLEN RD, SUIDELL, LA. 70461
 PHONE (985) 641-5794 FAX (985) 641-1239
 PLANS@ACADIANSS.COM

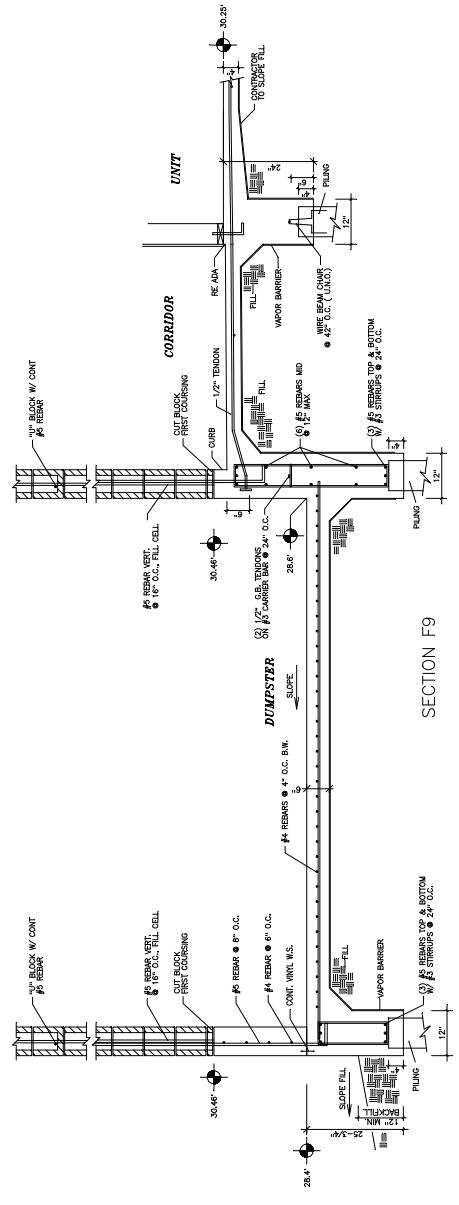
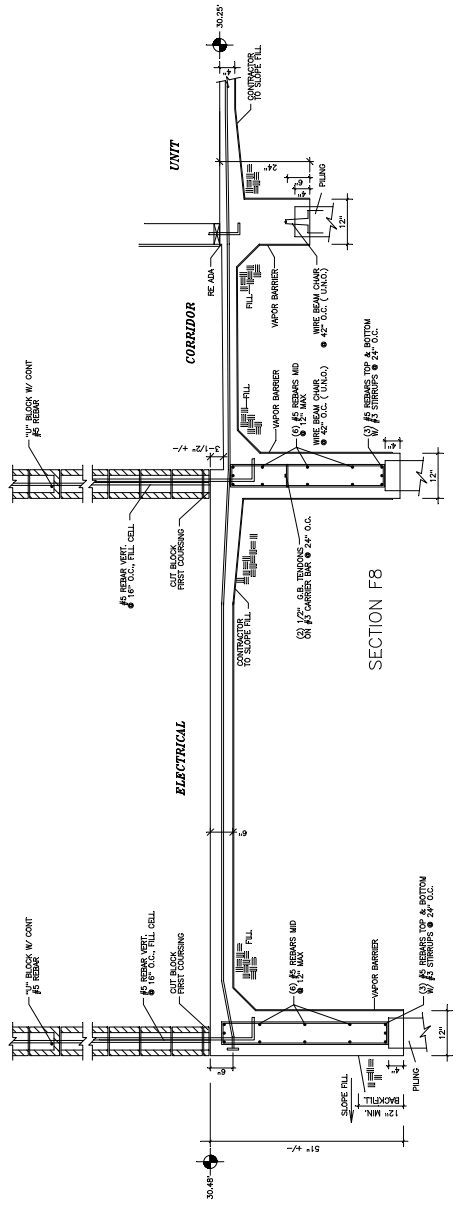
RESIDENCE JOSEPHINE CONDOMINIUMS
 K. B. KAUFMANN
 TERRACE AVE. EAST, SUIDELL, LOUISIANA
 ST. THOMAS ST., NEW ORLEANS, LOUISIANA

SCALE: 3/4" = 1'-0"
 DATE: 1 JAN 16
 DRAWN BY: BPH
 CHECKED BY:
 ASS PROJECT #: 720-15

DATE	REVISIONS
4 JAN 16	FOR PERMITTING
3 DEC 15	PRELIMINARY PRICING

SHEET
S-4.1

THIS PLAN IS ONLY VALID ONE YEAR FROM DATE ON PLAN





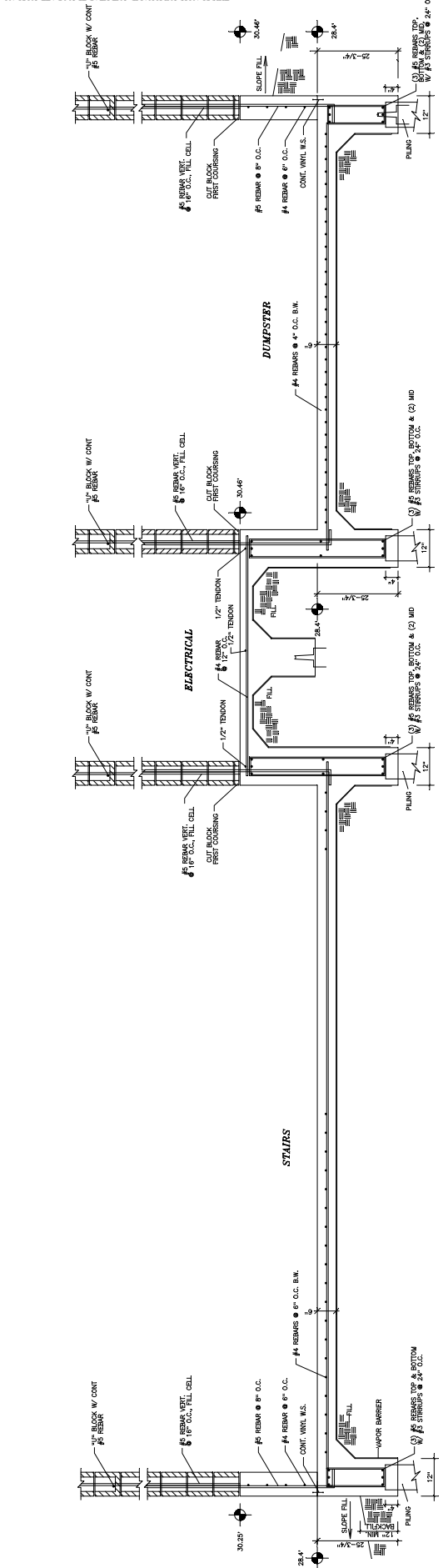
ACADIAN STRUCTURAL
SOLUTIONS, INC.
57362 ALLEN RD, SUITE LL, LA 70461
PHONE (985) 641-5794 FAX (985) 641-1239
PLANS@ACDIANS.COM

RESIDENCE JOSEPHINE
CONDOMINIUMS
ST. THOMAS ST., NEW ORLEANS, LOUISIANA
TERRACE AVE. EAST, SUITE LL, LOUISIANA

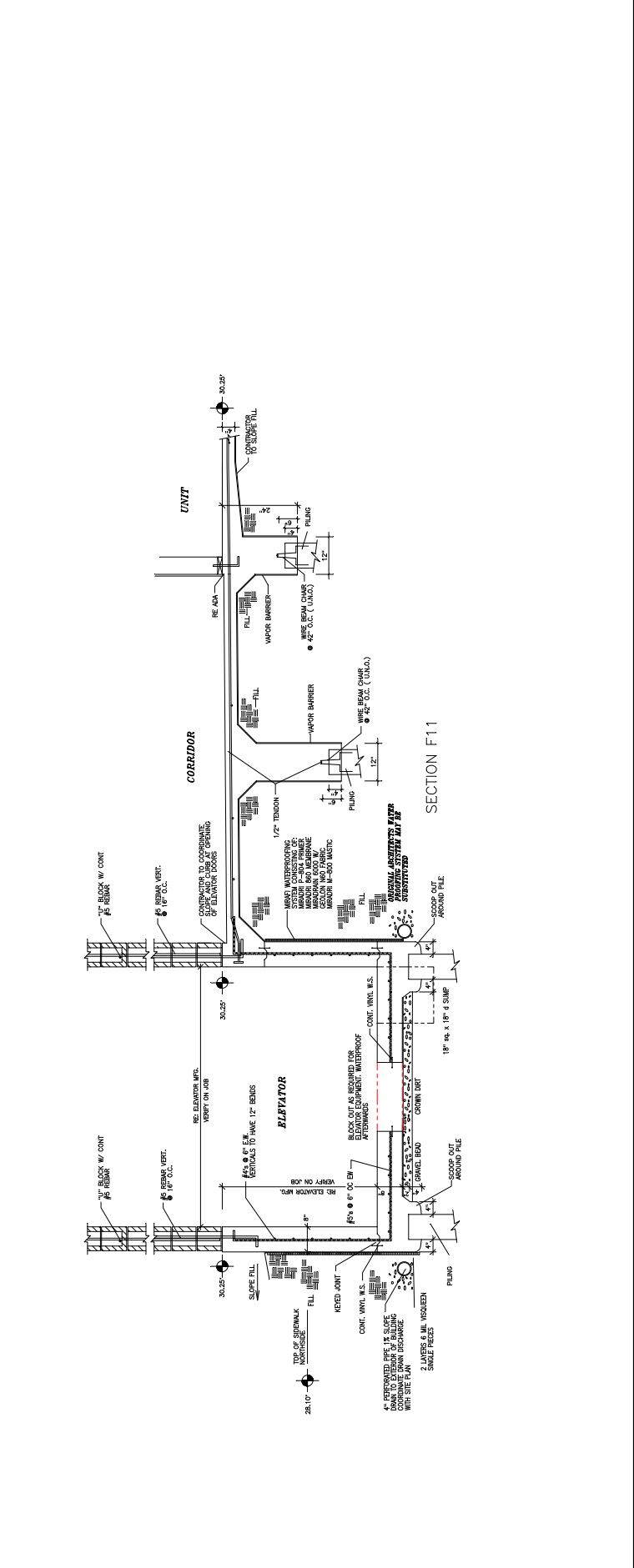
SCALE: 3/4" = 1'-0"
DATE: 1 JAN 16
DRAWN BY: BPH
CHECKED BY: BPH
ASS PROJECT #: 720-15

DATE	REVISIONS
3 DEC 15	PRELIMINARY PRICING
4 JAN 16	FOR PERMITTING

SHEET
S-4.2



SECTION F10



SECTION F11

THIS PLAN IS ONLY VALID ONE YEAR FROM DATE ON PLAN



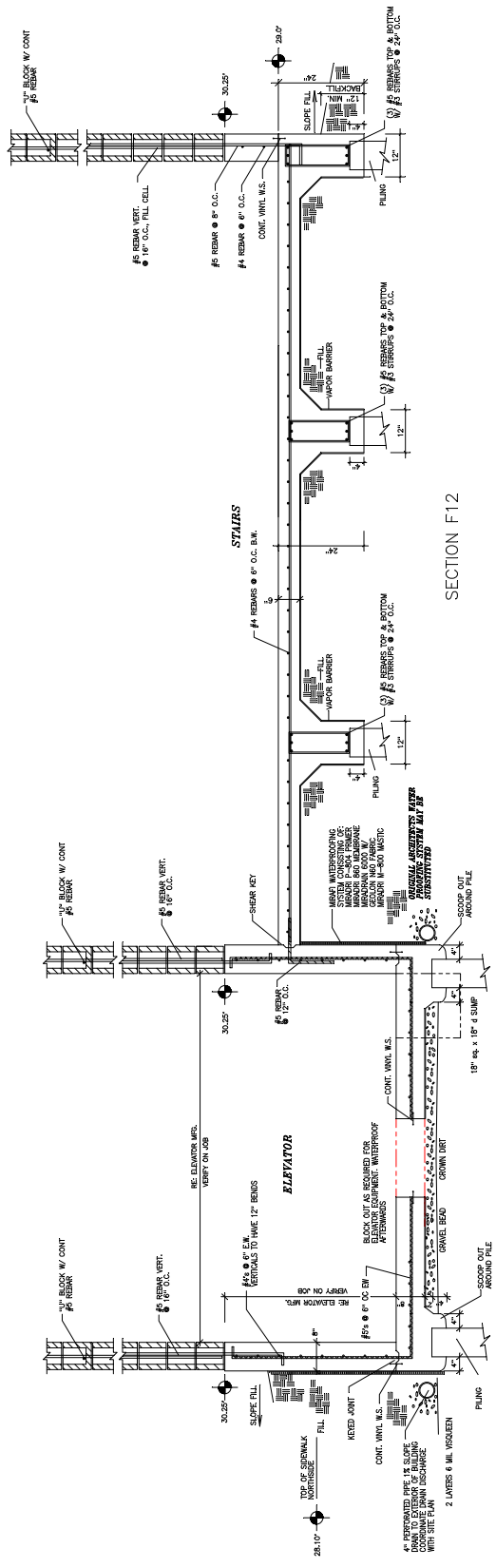
ACADIAN STRUCTURAL SOLUTIONS, INC.
 5736 ALLEN RD, SUDELL, LA. 70461
 PHONE (985) 641-5794 FAX (985) 641-1239
 PLANS@ACADIANSTRUCT.COM

RESIDENCE JOSEPHINE
 CONDOMINIUMS
 ST. THOMAS ST., NEW ORLEANS, LOUISIANA
 TERRACE AVE. EAST, SUDELL, LOUISIANA

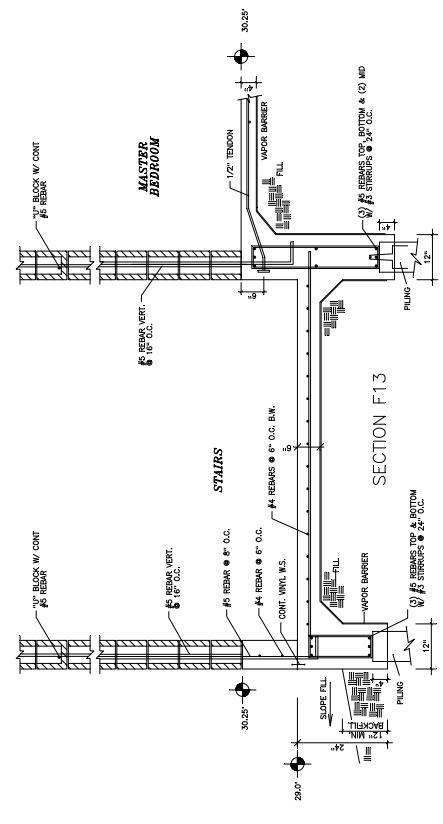
SCALE: 3/4" = 1'-0"
 DATE: 1 JAN 16
 DRAWN BY: BPH
 CHECKED BY: BPH
 ASS PROJECT #: 720-15

DATE	3 DEC 15
REVISIONS	PRELIMINARY PRICING
DATE	4 JAN 16
FOR PERMITTING	

SHEET
 S-4.3



SECTION F12



SECTION F13

THIS PLAN IS ONLY VALID ONE YEAR FROM DATE ON PLAN



ACADIAN STRUCTURAL SOLUTIONS, INC.
 57362 ALLEN RD, SUITE L, LA. 70461
 PHONE (985) 641-5794 FAX (985) 641-1239
 PLANS@ACDIANS.COM

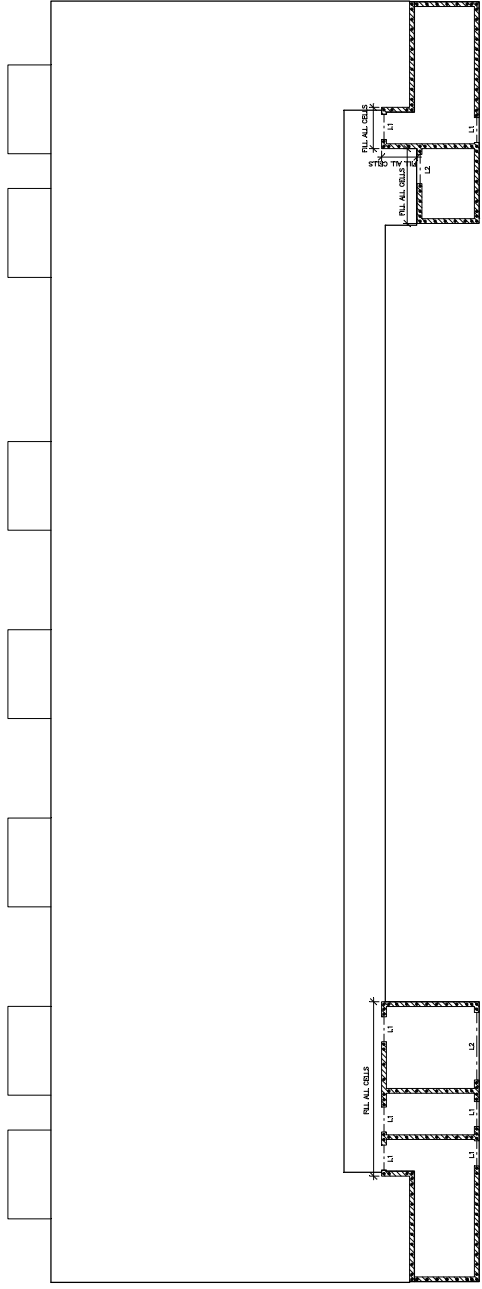
RESIDENCE JOSEPHINE CONDOMINIUMS
 K. B. KAUFMANN
 TERRACE AVE. EAST, SUDELL, LOUISIANA

SCALE: 1/8" = 1'-0"
 DATE: 1 JAN 16
 DRAWN BY: BPH
 CHECKED BY: BPH
 ASS PROJECT #: 720-15

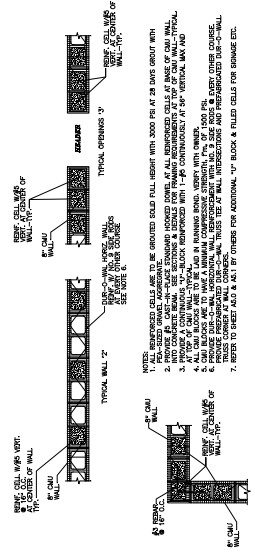
REVISIONS
 3 DEC 15 PRELIMINARY PRICING
 4 JAN 16 FOR PERMITTING

SHEET
 S-5.0

THIS PLAN IS ONLY VALID ONE YEAR FROM DATE ON PLAN

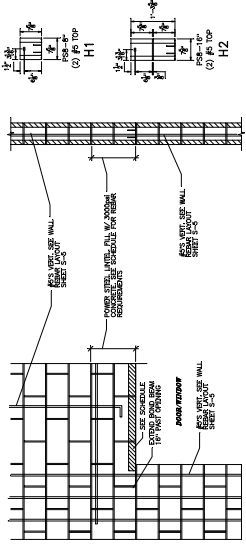


CMU AND VERTICAL STEEL LAYOUT

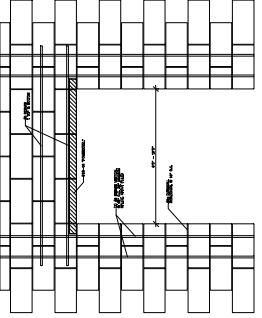


TYPICAL 8" CMU REINFORCEMENT WALL REINFORCEMENT

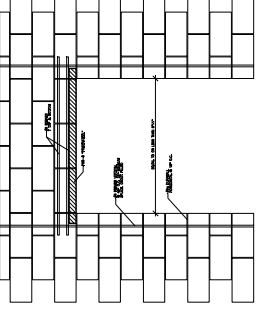
- NOTES:
1. ALL REBAR SHALL BE 60,000 PSI YIELD STRENGTH WITH 3000 PSI AT 28 DAYS CURE WITH 180 DEGREE BENDS.
 2. REBAR SHALL BE EPOXY COATED UNLESS OTHERWISE NOTED.
 3. REBAR SHALL BE EPOXY COATED UNLESS OTHERWISE NOTED.
 4. ALL REBAR SHALL BE EPOXY COATED UNLESS OTHERWISE NOTED.
 5. ALL REBAR SHALL BE EPOXY COATED UNLESS OTHERWISE NOTED.
 6. ALL REBAR SHALL BE EPOXY COATED UNLESS OTHERWISE NOTED.
 7. REFER TO SHEET S-5.0 FOR OTHERS FOR ADDITIONAL "U" BLOCK & FILLED CELLS FOR FINISHES ETC.



SECTION @ LINTELS



TYPICAL L1 OPENING



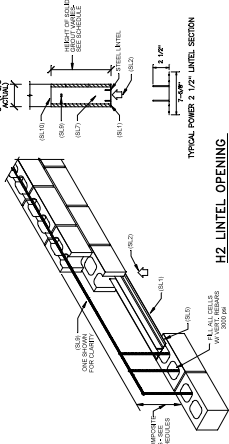
TYPICAL L2 OPENING

MARK	TYPE	REVISION	DATE
101	ADD	ADD REVISION TOP	
102	ADD	ADD REVISION TOP	

SIZE	MARK	DEPTH	LEVEL	REINFORCEMENT	REVISION	DATE
12\"/>						

NOTE: CONNECTION SHALL CONFORM TO REBAR REQUIREMENTS PER ACI 308

H2 LINTEL OPENING



H1 LINTEL SIMILAR



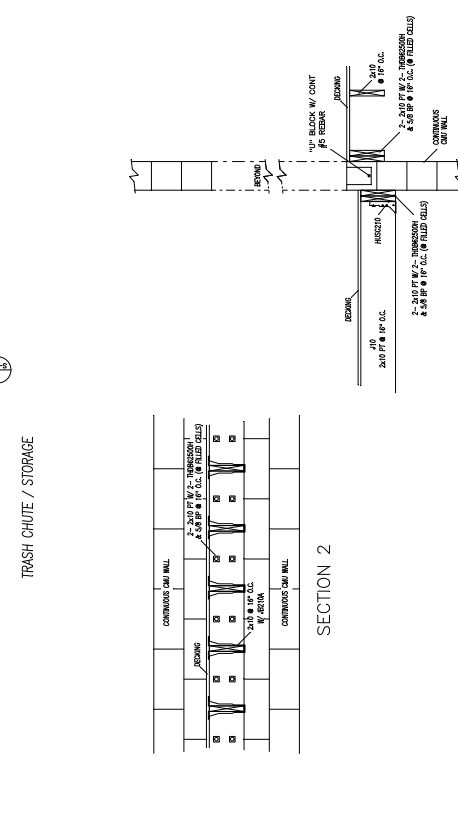
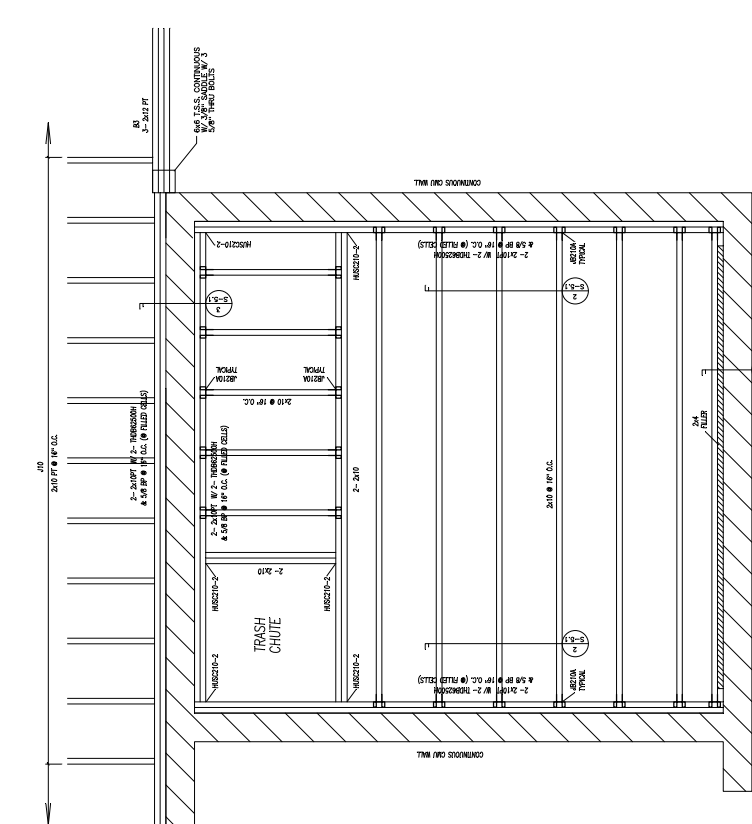
ACADIAN STRUCTURAL SOLUTIONS, INC.
 57362 ALLEN RD, SUIDELL, LA 70461
 PHONE (985) 641-5794 FAX (985) 641-1239
 PLANS@ACADIANSS.COM

RESIDENCE JOSEPHINE
 CONDOMINIUMS
 K. B. KAUFMANN
 TERRACE AVE. EAST, SUIDELL, LOUISIANA

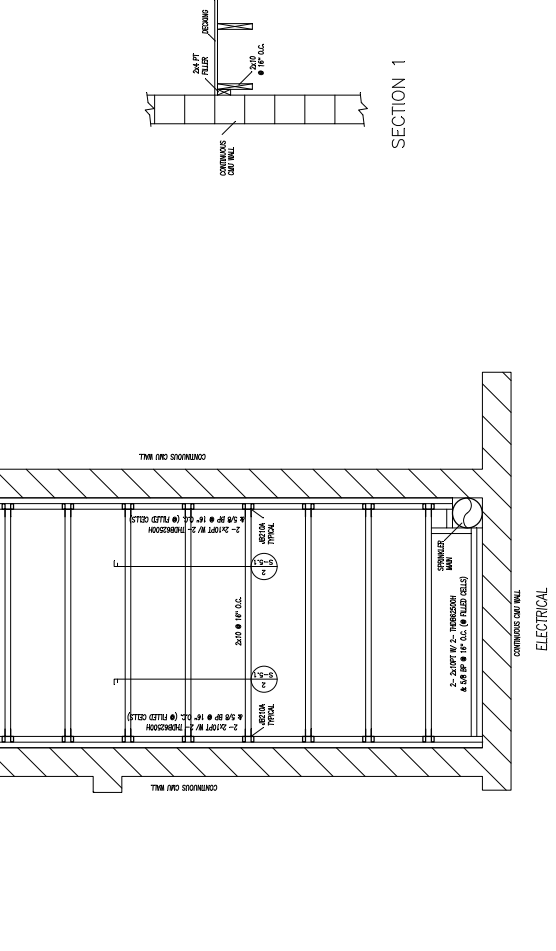
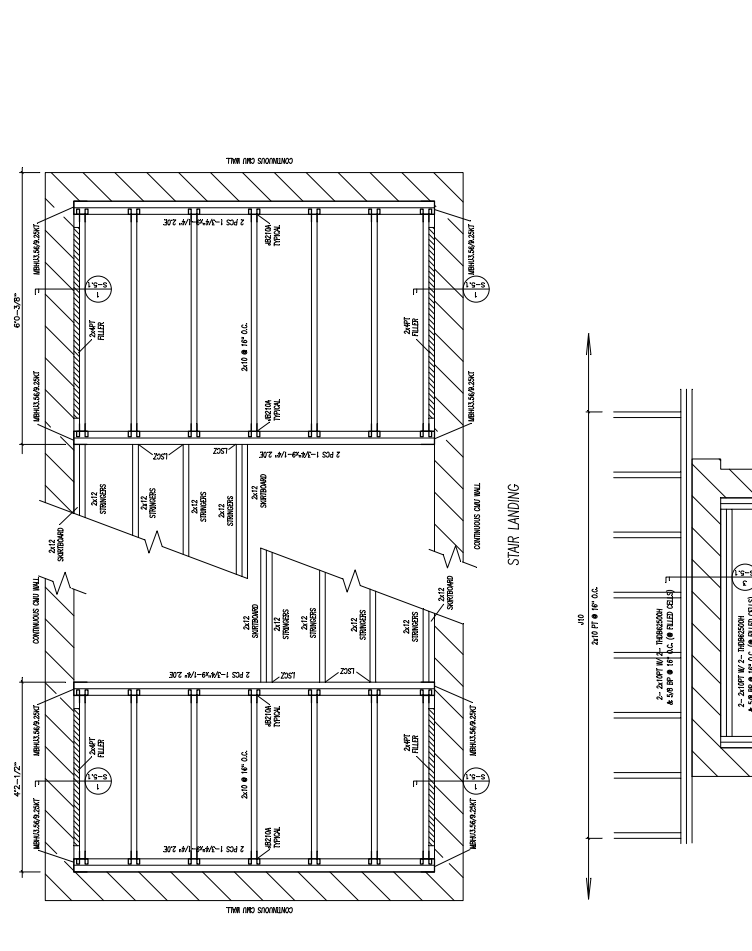
SCALE: 3/4" = 1'-0"
 DATE: 1 JAN 16
 DRAWN BY: BPH
 CHECKED BY: BPH
 ASS PROJECT #: 720-15

REVISIONS	DATE
PRELIMINARY PRICING	3 DEC 15
FOR PERMITTING	4 JAN 16

SHEET
 S-5.1



SECTION 1
 SECTION 2



SECTION 3

THIS PLAN IS ONLY VALID ONE YEAR FROM DATE ON PLAN



ACADIAN STRUCTURAL SOLUTIONS, INC.
 57362 ALLEN RD, SIDDELL, LA 70461
 PHONE (985) 641-5794 FAX (985) 641-1239
 PLANS@CADIANSS.COM

RESIDENCE JOSEPHINE CONDOMINIUMS
 K. B. KAUFMANN
 TERRACE AVE. EAST, SIDDELL, LOUISIANA

SCALE: 1/8" = 1'-0"
 DATE: 1 JAN 16
 DRAWN BY: BPH
 CHECKED BY: BPH
 ASS PROJECT #: 720-15

REVISIONS
 3 DEC 15 PRELIMINARY PRICING
 4 JAN 16 FOR PERMITTING

SHEET
 S-6

THIS PLAN IS ONLY VALID ONE YEAR FROM DATE ON PLAN

LEVEL 1 LOAD BEARING WALL SCHEDULE

LOCATION	SECTION	THICKNESS	CONCRETE	FOUNDATION	REMARKS	DATE	BY	REVISIONS
WALL-1	2'-0" W/ 12" CORE	2'-0"	CONC	FOOTING	W/ 12" CORE	1/16/16	NA	1
WALL-2	2'-0" W/ 12" CORE	2'-0"	CONC	FOOTING	W/ 12" CORE	1/16/16	NA	1
WALL-3	2'-0" W/ 12" CORE	2'-0"	CONC	FOOTING	W/ 12" CORE	1/16/16	NA	1
WALL-4	2'-0" W/ 12" CORE	2'-0"	CONC	FOOTING	W/ 12" CORE	1/16/16	NA	1
WALL-5	2'-0" W/ 12" CORE	2'-0"	CONC	FOOTING	W/ 12" CORE	1/16/16	NA	1
WALL-6	2'-0" W/ 12" CORE	2'-0"	CONC	FOOTING	W/ 12" CORE	1/16/16	NA	1
WALL-7	2'-0" W/ 12" CORE	2'-0"	CONC	FOOTING	W/ 12" CORE	1/16/16	NA	1
WALL-8	2'-0" W/ 12" CORE	2'-0"	CONC	FOOTING	W/ 12" CORE	1/16/16	NA	1
WALL-9	2'-0" W/ 12" CORE	2'-0"	CONC	FOOTING	W/ 12" CORE	1/16/16	NA	1
WALL-10	2'-0" W/ 12" CORE	2'-0"	CONC	FOOTING	W/ 12" CORE	1/16/16	NA	1
WALL-11	2'-0" W/ 12" CORE	2'-0"	CONC	FOOTING	W/ 12" CORE	1/16/16	NA	1
WALL-12	2'-0" W/ 12" CORE	2'-0"	CONC	FOOTING	W/ 12" CORE	1/16/16	NA	1

JUST SCHEDULE

NO.	DESCRIPTION	REMARKS
1	1'-0" W/ 12" CORE	1'-0" W/ 12" CORE
2	1'-0" W/ 12" CORE	1'-0" W/ 12" CORE
3	1'-0" W/ 12" CORE	1'-0" W/ 12" CORE
4	1'-0" W/ 12" CORE	1'-0" W/ 12" CORE
5	1'-0" W/ 12" CORE	1'-0" W/ 12" CORE
6	1'-0" W/ 12" CORE	1'-0" W/ 12" CORE
7	1'-0" W/ 12" CORE	1'-0" W/ 12" CORE
8	1'-0" W/ 12" CORE	1'-0" W/ 12" CORE
9	1'-0" W/ 12" CORE	1'-0" W/ 12" CORE
10	1'-0" W/ 12" CORE	1'-0" W/ 12" CORE
11	1'-0" W/ 12" CORE	1'-0" W/ 12" CORE
12	1'-0" W/ 12" CORE	1'-0" W/ 12" CORE

LEVEL 1 HEADER SCHEDULE

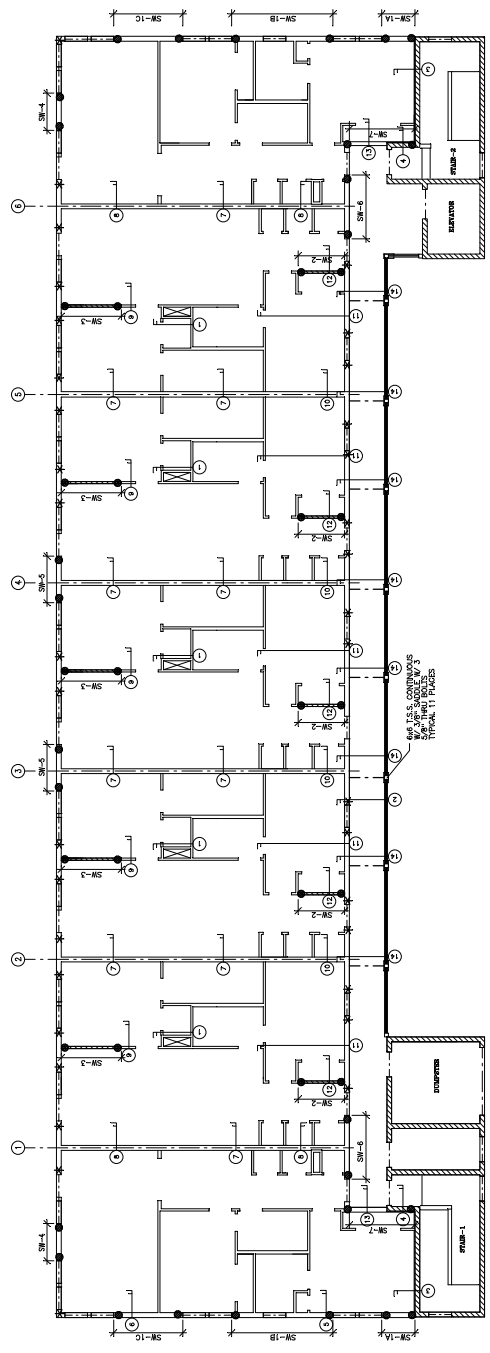
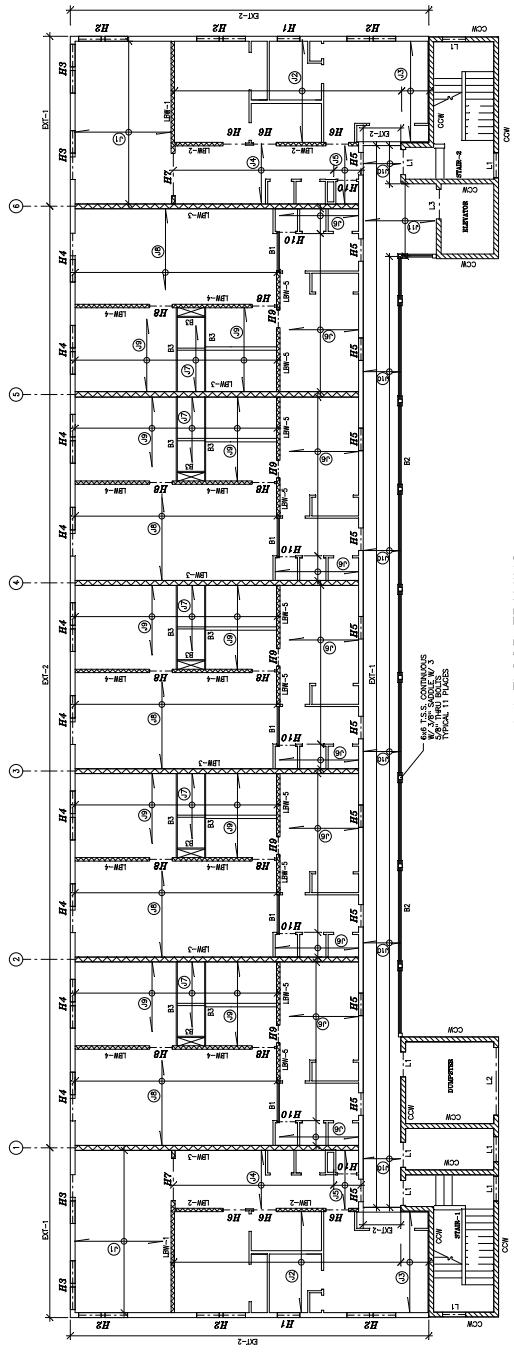
NO.	SECTION	THICKNESS	CONCRETE	FOUNDATION	REMARKS
H1	2'-0" W/ 12" CORE	2'-0"	CONC	FOOTING	W/ 12" CORE
H2	2'-0" W/ 12" CORE	2'-0"	CONC	FOOTING	W/ 12" CORE
H3	2'-0" W/ 12" CORE	2'-0"	CONC	FOOTING	W/ 12" CORE
H4	2'-0" W/ 12" CORE	2'-0"	CONC	FOOTING	W/ 12" CORE
H5	2'-0" W/ 12" CORE	2'-0"	CONC	FOOTING	W/ 12" CORE
H6	2'-0" W/ 12" CORE	2'-0"	CONC	FOOTING	W/ 12" CORE
H7	2'-0" W/ 12" CORE	2'-0"	CONC	FOOTING	W/ 12" CORE
H8	2'-0" W/ 12" CORE	2'-0"	CONC	FOOTING	W/ 12" CORE
H9	2'-0" W/ 12" CORE	2'-0"	CONC	FOOTING	W/ 12" CORE
H10	2'-0" W/ 12" CORE	2'-0"	CONC	FOOTING	W/ 12" CORE
H11	2'-0" W/ 12" CORE	2'-0"	CONC	FOOTING	W/ 12" CORE
H12	2'-0" W/ 12" CORE	2'-0"	CONC	FOOTING	W/ 12" CORE

BEAM SCHEDULE

NO.	SECTION	THICKNESS	CONCRETE	FOUNDATION	REMARKS
B1	2'-0" W/ 12" CORE	2'-0"	CONC	FOOTING	W/ 12" CORE
B2	2'-0" W/ 12" CORE	2'-0"	CONC	FOOTING	W/ 12" CORE
B3	2'-0" W/ 12" CORE	2'-0"	CONC	FOOTING	W/ 12" CORE
B4	2'-0" W/ 12" CORE	2'-0"	CONC	FOOTING	W/ 12" CORE
B5	2'-0" W/ 12" CORE	2'-0"	CONC	FOOTING	W/ 12" CORE
B6	2'-0" W/ 12" CORE	2'-0"	CONC	FOOTING	W/ 12" CORE
B7	2'-0" W/ 12" CORE	2'-0"	CONC	FOOTING	W/ 12" CORE
B8	2'-0" W/ 12" CORE	2'-0"	CONC	FOOTING	W/ 12" CORE
B9	2'-0" W/ 12" CORE	2'-0"	CONC	FOOTING	W/ 12" CORE
B10	2'-0" W/ 12" CORE	2'-0"	CONC	FOOTING	W/ 12" CORE
B11	2'-0" W/ 12" CORE	2'-0"	CONC	FOOTING	W/ 12" CORE
B12	2'-0" W/ 12" CORE	2'-0"	CONC	FOOTING	W/ 12" CORE

LEVEL 1 SHEARWALL SCHEDULE

NO.	SECTION	THICKNESS	CONCRETE	FOUNDATION	REMARKS
SW-1	2'-0" W/ 12" CORE	2'-0"	CONC	FOOTING	W/ 12" CORE
SW-2	2'-0" W/ 12" CORE	2'-0"	CONC	FOOTING	W/ 12" CORE
SW-3	2'-0" W/ 12" CORE	2'-0"	CONC	FOOTING	W/ 12" CORE
SW-4	2'-0" W/ 12" CORE	2'-0"	CONC	FOOTING	W/ 12" CORE
SW-5	2'-0" W/ 12" CORE	2'-0"	CONC	FOOTING	W/ 12" CORE
SW-6	2'-0" W/ 12" CORE	2'-0"	CONC	FOOTING	W/ 12" CORE
SW-7	2'-0" W/ 12" CORE	2'-0"	CONC	FOOTING	W/ 12" CORE
SW-8	2'-0" W/ 12" CORE	2'-0"	CONC	FOOTING	W/ 12" CORE
SW-9	2'-0" W/ 12" CORE	2'-0"	CONC	FOOTING	W/ 12" CORE
SW-10	2'-0" W/ 12" CORE	2'-0"	CONC	FOOTING	W/ 12" CORE
SW-11	2'-0" W/ 12" CORE	2'-0"	CONC	FOOTING	W/ 12" CORE
SW-12	2'-0" W/ 12" CORE	2'-0"	CONC	FOOTING	W/ 12" CORE
SW-13	2'-0" W/ 12" CORE	2'-0"	CONC	FOOTING	W/ 12" CORE
SW-14	2'-0" W/ 12" CORE	2'-0"	CONC	FOOTING	W/ 12" CORE
SW-15	2'-0" W/ 12" CORE	2'-0"	CONC	FOOTING	W/ 12" CORE
SW-16	2'-0" W/ 12" CORE	2'-0"	CONC	FOOTING	W/ 12" CORE
SW-17	2'-0" W/ 12" CORE	2'-0"	CONC	FOOTING	W/ 12" CORE
SW-18	2'-0" W/ 12" CORE	2'-0"	CONC	FOOTING	W/ 12" CORE
SW-19	2'-0" W/ 12" CORE	2'-0"	CONC	FOOTING	W/ 12" CORE
SW-20	2'-0" W/ 12" CORE	2'-0"	CONC	FOOTING	W/ 12" CORE



LEGEND
 ● - ATIS ROD SYSTEM BY SIMPSON STRONG TIE
 * - STUDS



ACADIAN STRUCTURAL SOLUTIONS, INC.
 57362 ALLEN RD., SLIDELL, LA. 70461
 PHONE (985) 641-5794 FAX (985) 641-1239
 PLANS@ACADIANS.COM

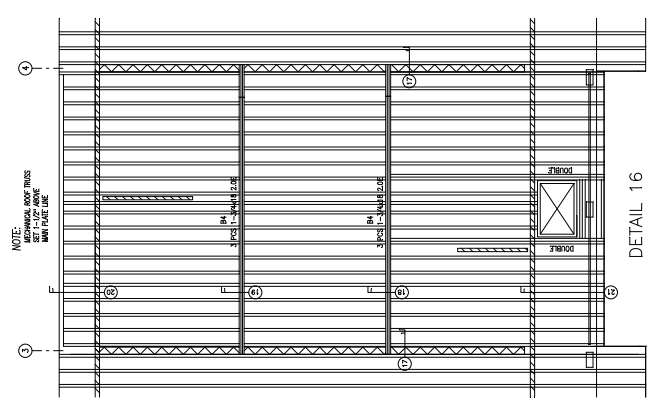
RESIDENCE JOSEPHINE
 CONDOMINIUMS
 ST. THOMAS ST., NEW ORLEANS, LOUISIANA
 TERRACE AVE. EAST, SLIDELL, LOUISIANA

SCALE: 1/8" = 1'-0"
 DATE: 1 JAN 16
 DRAWN BY: BPH
 CHECKED BY:
 ASS PROJECT #: 720.15

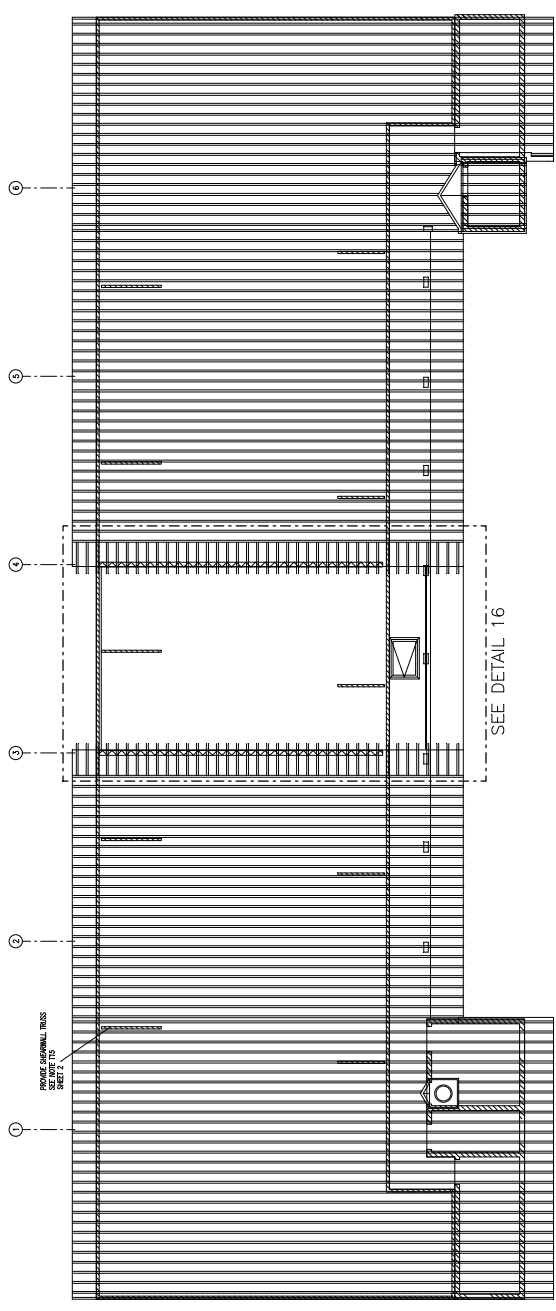
DATE	REVISIONS
3 DEC 15	PRELIMINARY PRICING
4 JAN 16	FOR PERMITTING

SHEET
 S-10

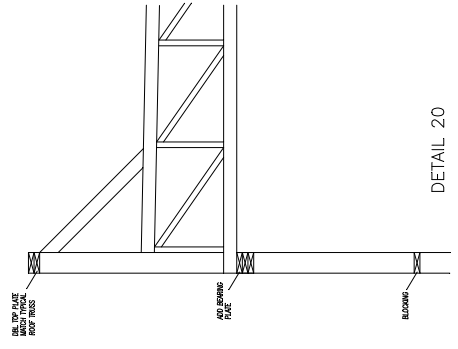
THIS PLAN IS ONLY VALID ONE YEAR FROM DATE ON PLAN



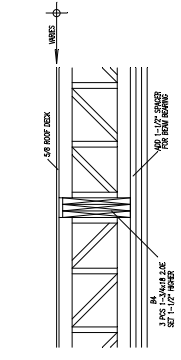
DETAIL 16
 MECHANICAL ROOF FRAMING



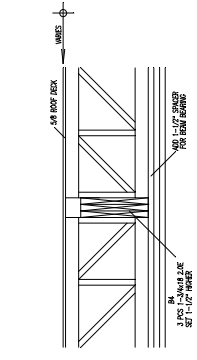
ROOF TRUSS LAYOUT



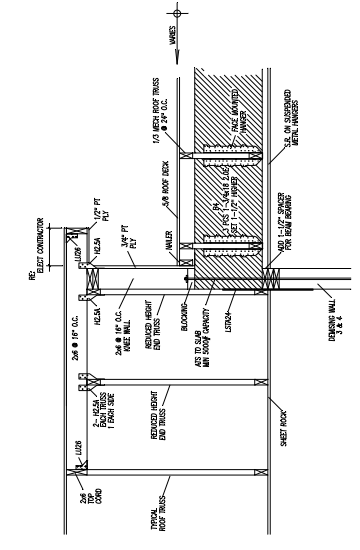
DETAIL 20



DETAIL 18



DETAIL 19



DETAIL 17



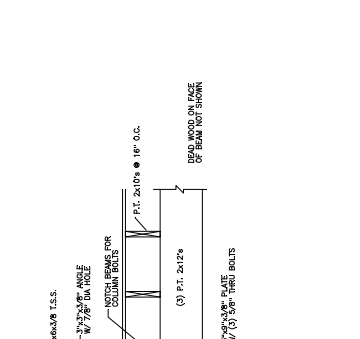
ACADIAN STRUCTURAL SOLUTIONS, INC.
 57362 ALLEN RD, SUIDELL, LA 70461
 PHONE (985) 641-5794 FAX (985) 641-1239
 PLANS@ACDIANS.COM

RESIDENCE JOSEPHINE
 CONDOMINIUMS
 ST. THOMAS ST., NEW ORLEANS, LOUISIANA
 TERRACE AVE. EAST, SUIDELL, LOUISIANA

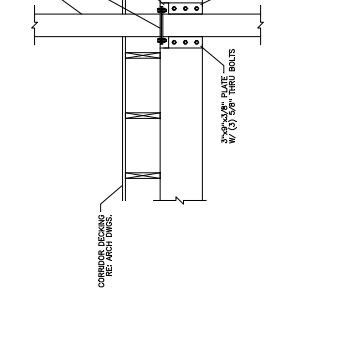
SCALE: 3/4" = 1'-0"
 DATE: 1 JAN 16
 DRAWN BY: BPH
 CHECKED BY: BPH
 ASS PROJECT #: 720-15

DATE	REVISIONS
3 DEC 15	PRELIMINARY PRICING
4 JAN 16	FOR PERMITTING

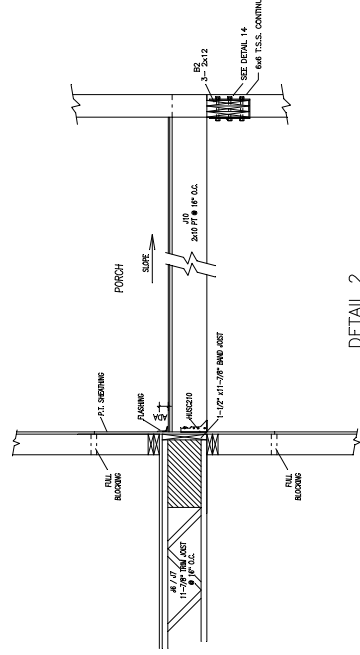
SHEET
 S-11.0



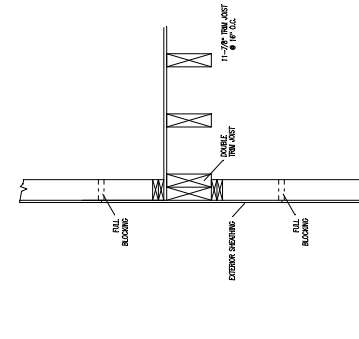
DETAIL 1



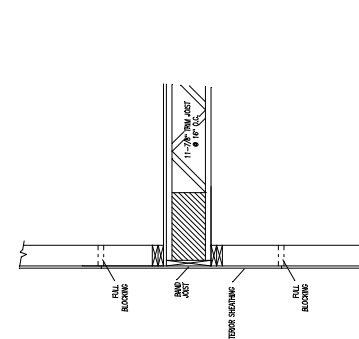
DETAIL 2



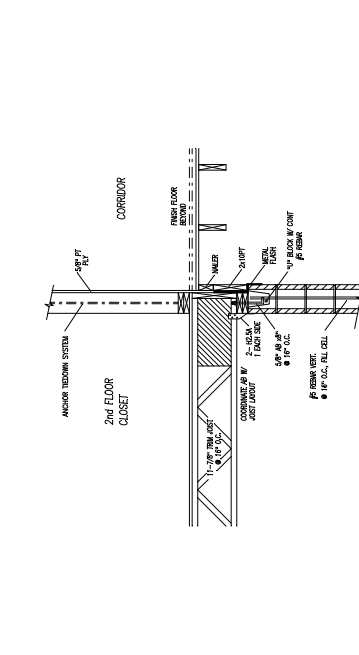
DETAIL 3



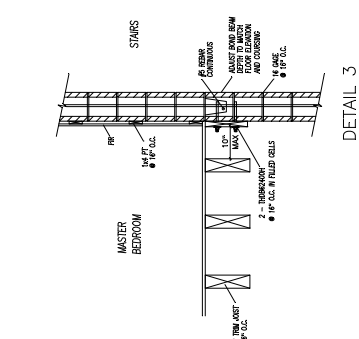
DETAIL 4



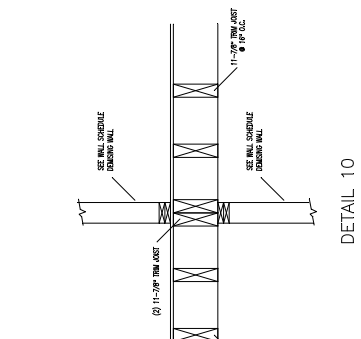
DETAIL 5



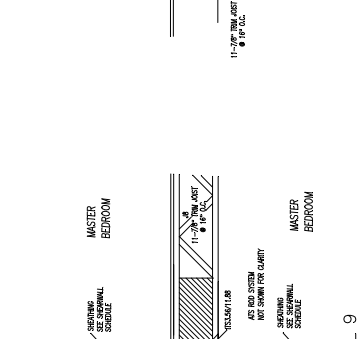
DETAIL 6



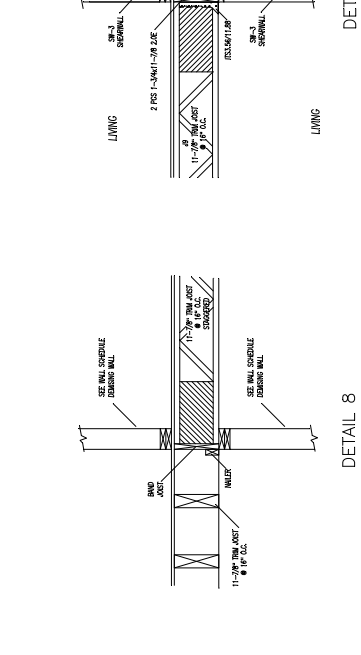
DETAIL 7



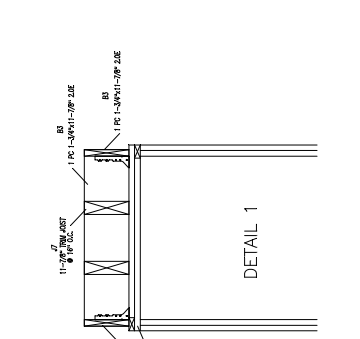
DETAIL 8



DETAIL 9



DETAIL 10



THIS PLAN IS ONLY VALID ONE YEAR FROM DATE ON PLAN



ACADIAN STRUCTURAL SOLUTIONS, INC.
 57362 ALLEN RD., SUITE 111, LA 70461
 PHONE (985) 641-5794 FAX (985) 641-1239
 PLANS@ACADIANSS.COM

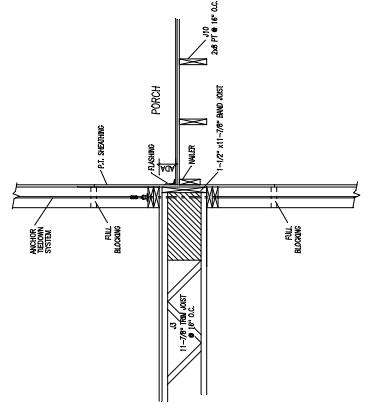
RESIDENCE JOSEPHINE
 CONDOMINIUMS
 ST. THOMAS ST., NEW ORLEANS, LOUISIANA
 TERRACE AVE. EAST, SUITE 111, LOUISIANA

SCALE: 3/4" = 1'-0"
 DATE: 1 JAN 16
 DRAWN BY: BPH
 CHECKED BY: BPH
 ASS PROJECT #: 720-15

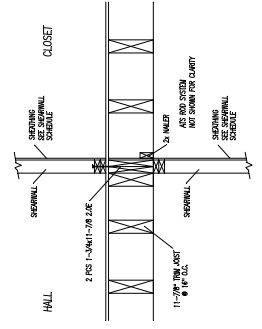
DATE	REVISIONS
3 DEC 15	PRELIMINARY PRICING
4 JAN 16	FOR PERMITTING

SHEET
 S-11.1

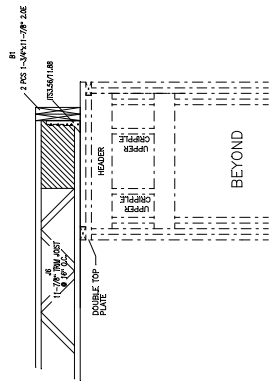
THIS PLAN IS ONLY VALID ONE YEAR FROM DATE ON PLAN



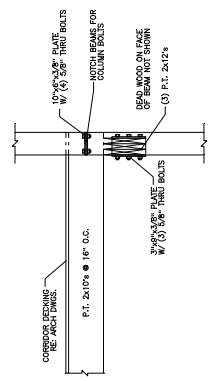
DETAIL 13



DETAIL 12



DETAIL 11



DETAIL 14

DATE	3 DEC 15
REVISIONS	PRELIMINARY PRICING
DATE	4 JAN 16
FOR PERMITTING	

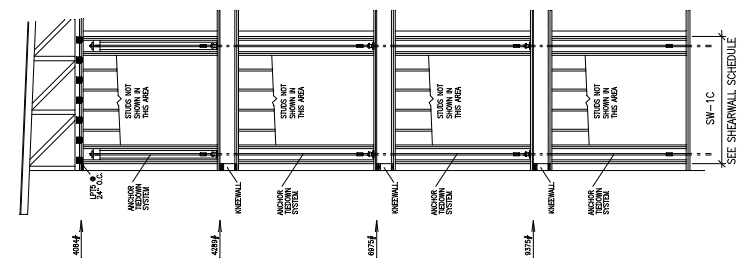
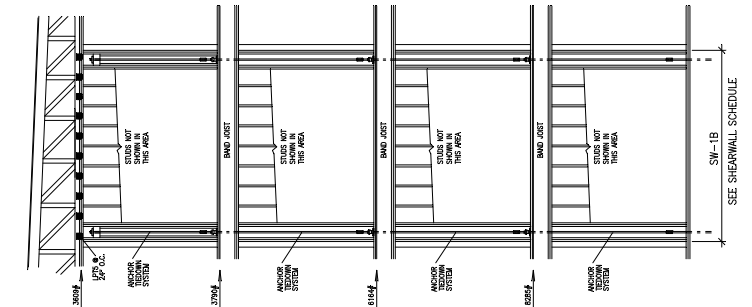
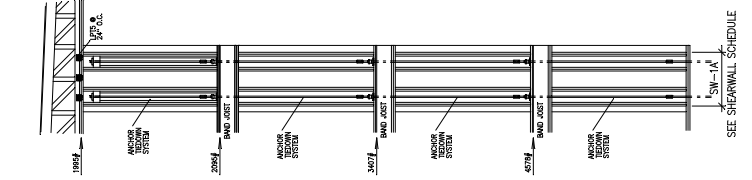
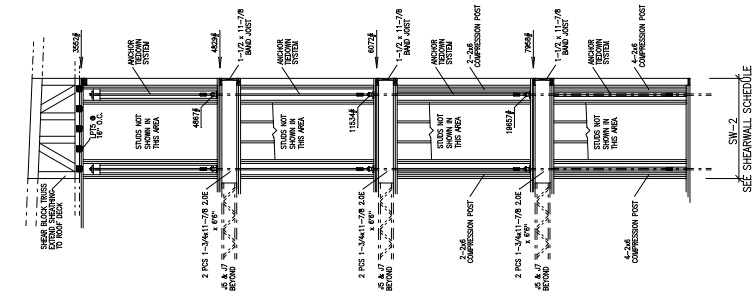
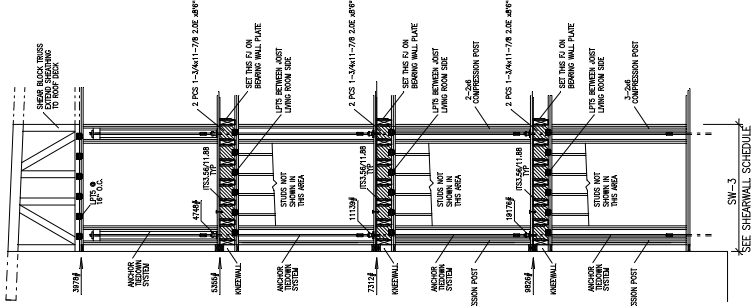
SCALE: 1/4" = 1'-0"
DATE: 1 JAN 16
DRAWN BY: BPH
CHECKED BY:
ASS PROJECT #: 720-15

RESIDENCE JOSEPHINE
CONDOMINIUMS
K. B. KAUFMANN
 TERRACE AVE. EAST, SUDELL, LOUISIANA

ACADIAN STRUCTURAL
 SOLUTIONS, INC.
 5736 ALLEN RD., SUDELL, LA. 70461
 PHONE (985) 641-5794 FAX (985) 641-2239
 PLANS@ACADIANSS.COM



THIS PLAN IS ONLY VALID ONE YEAR FROM DATE ON PLAN



DATE	REVISIONS
4 JAN 16	FOR PERMITTING
3 DEC 15	PRELIMINARY PRICING

SCALE: 1/4" = 1'-0"
DATE: 1 JAN 16
DRAWN BY: BPH
CHECKED BY: BPH
ASS PROJECT #: 720-15

RESIDENCE JOSEPHINE
 CONDOMINIUMS
 K. B. KAUFMANN
 TERRACE AVE. EAST, SLIDELL, LOUISIANA
 ST. THOMAS ST., NEW ORLEANS, LOUISIANA

ACADIAN STRUCTURAL
 SOLUTIONS, INC.
 57362 ALLEN RD, SLIDELL, LA. 70461
 PHONE (985) 641-5794 FAX (985) 641-1239
 PLANS@ACADIANS.COM



THIS PLAN IS ONLY VALID ONE YEAR FROM DATE ON PLAN

