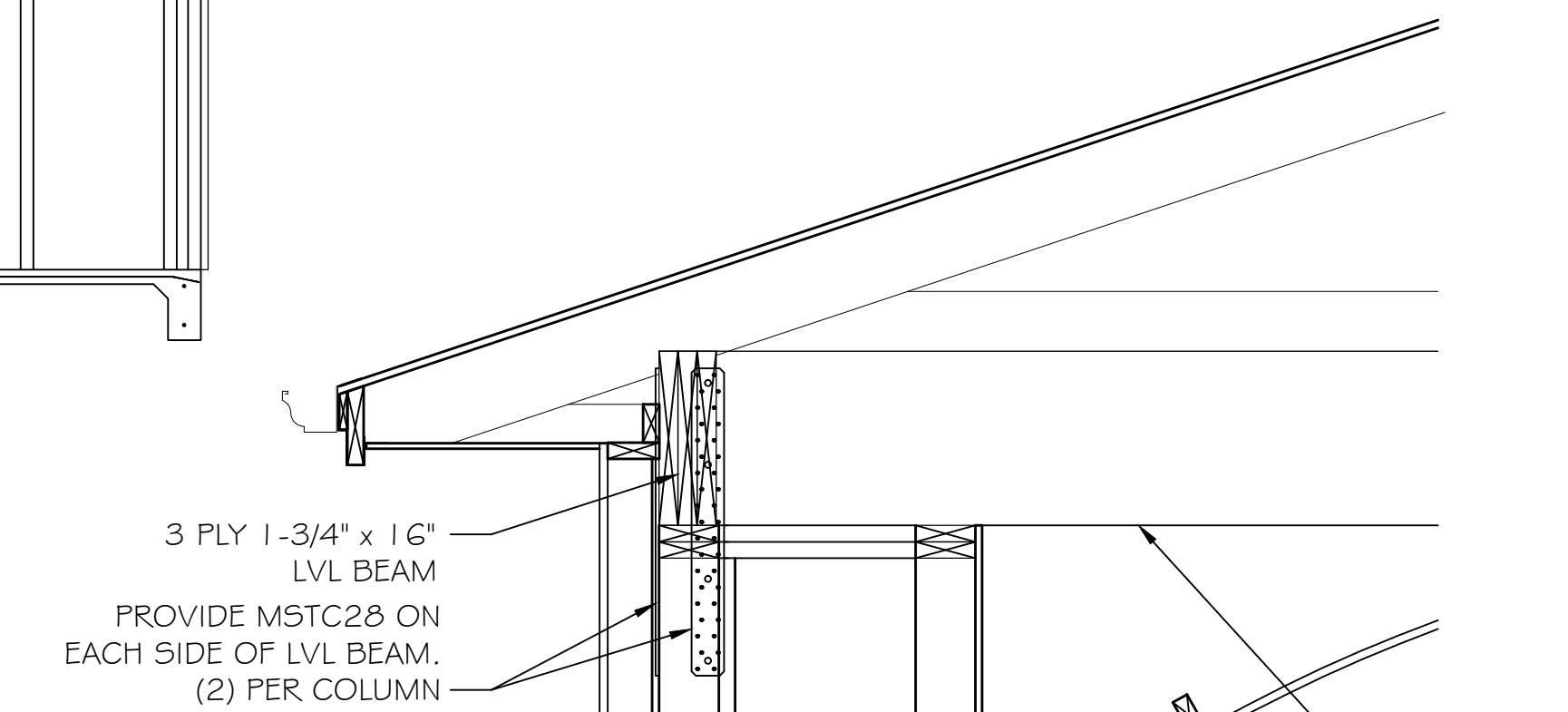
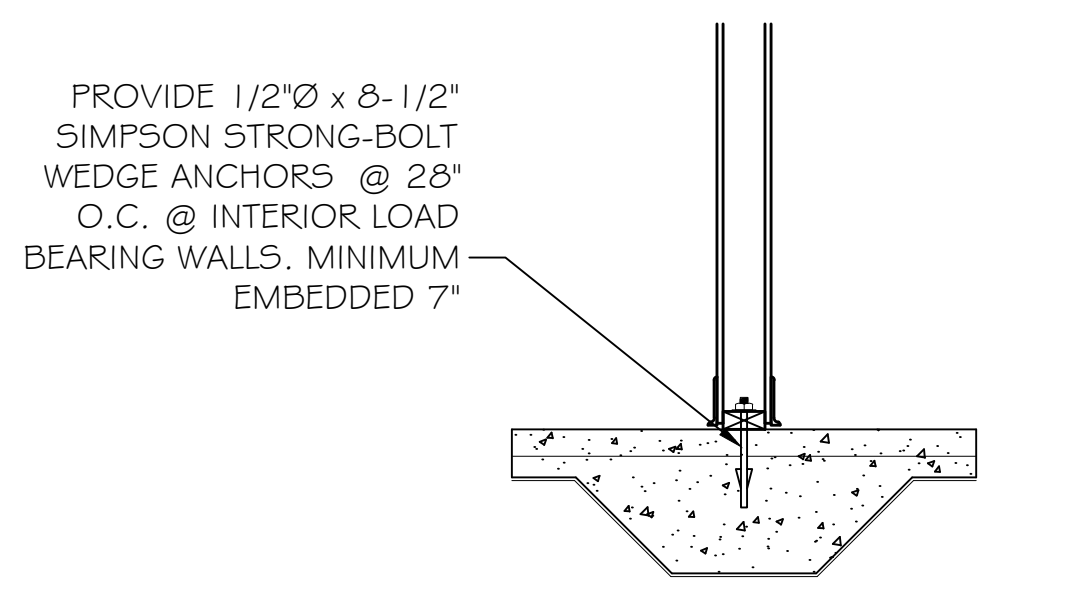


BUILDING SECTION
SCALE: 1/4" = 1'-0"

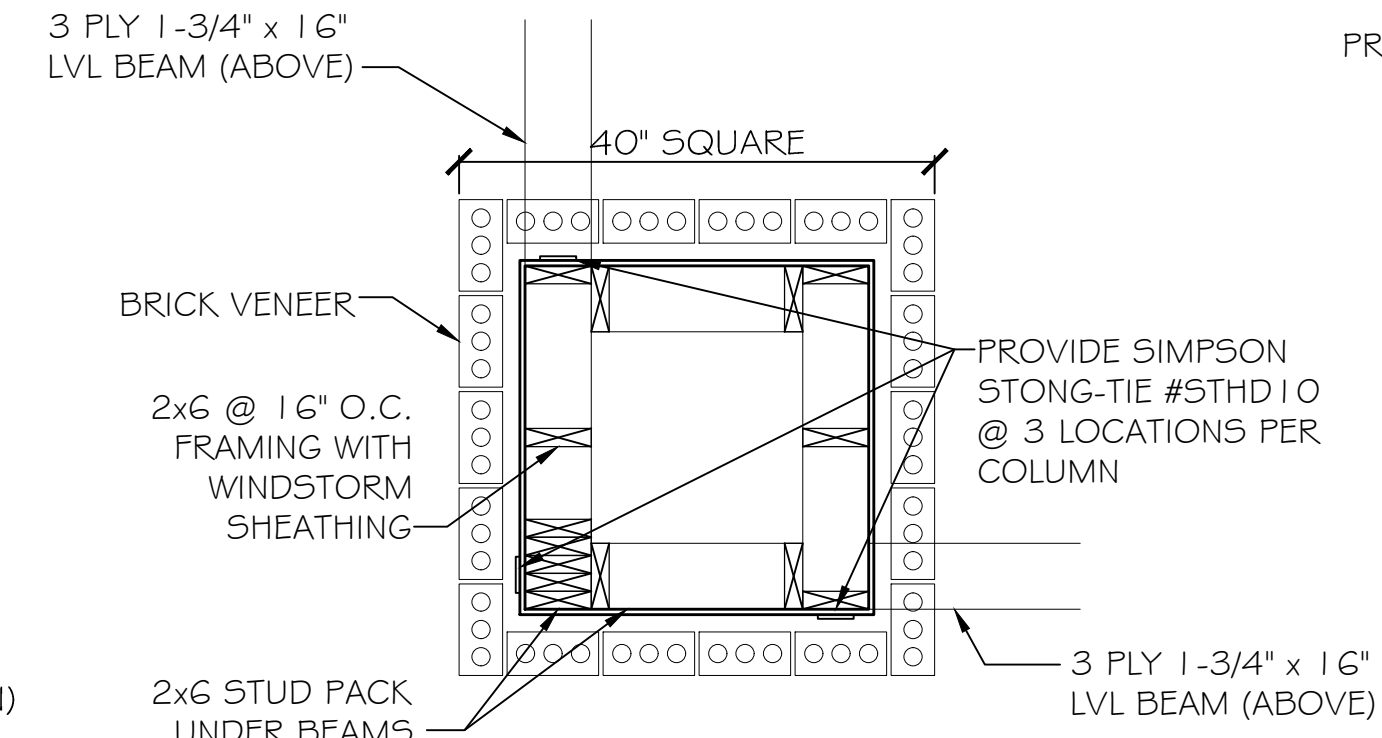
NOTE: ALL INTERIOR LOAD BEARING WALLS SHALL HAVE A MIN. FIRE RESISTANCE RATING OF 1 HR.



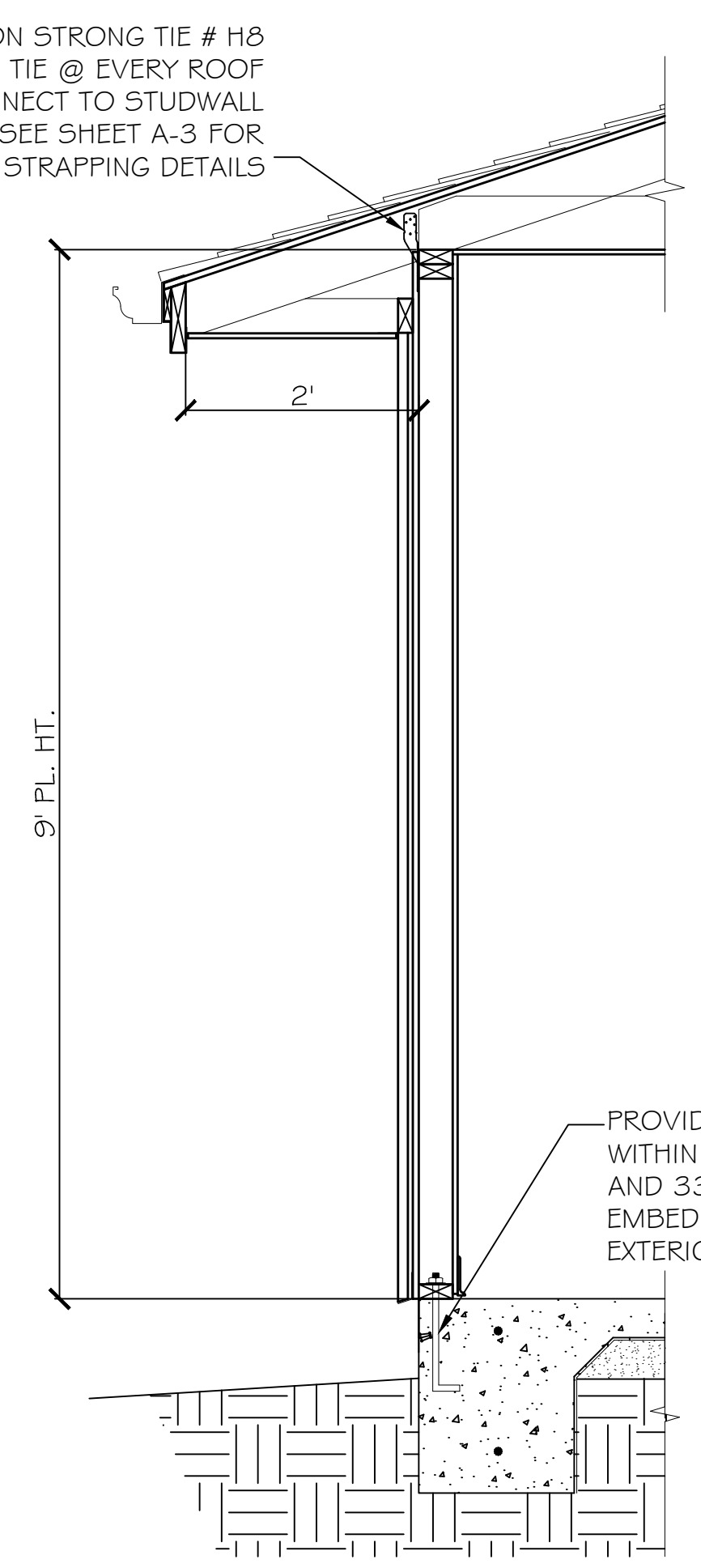
PORTE COCHERE COLUMN SECTION
SCALE: 3/4" = 1'-0"



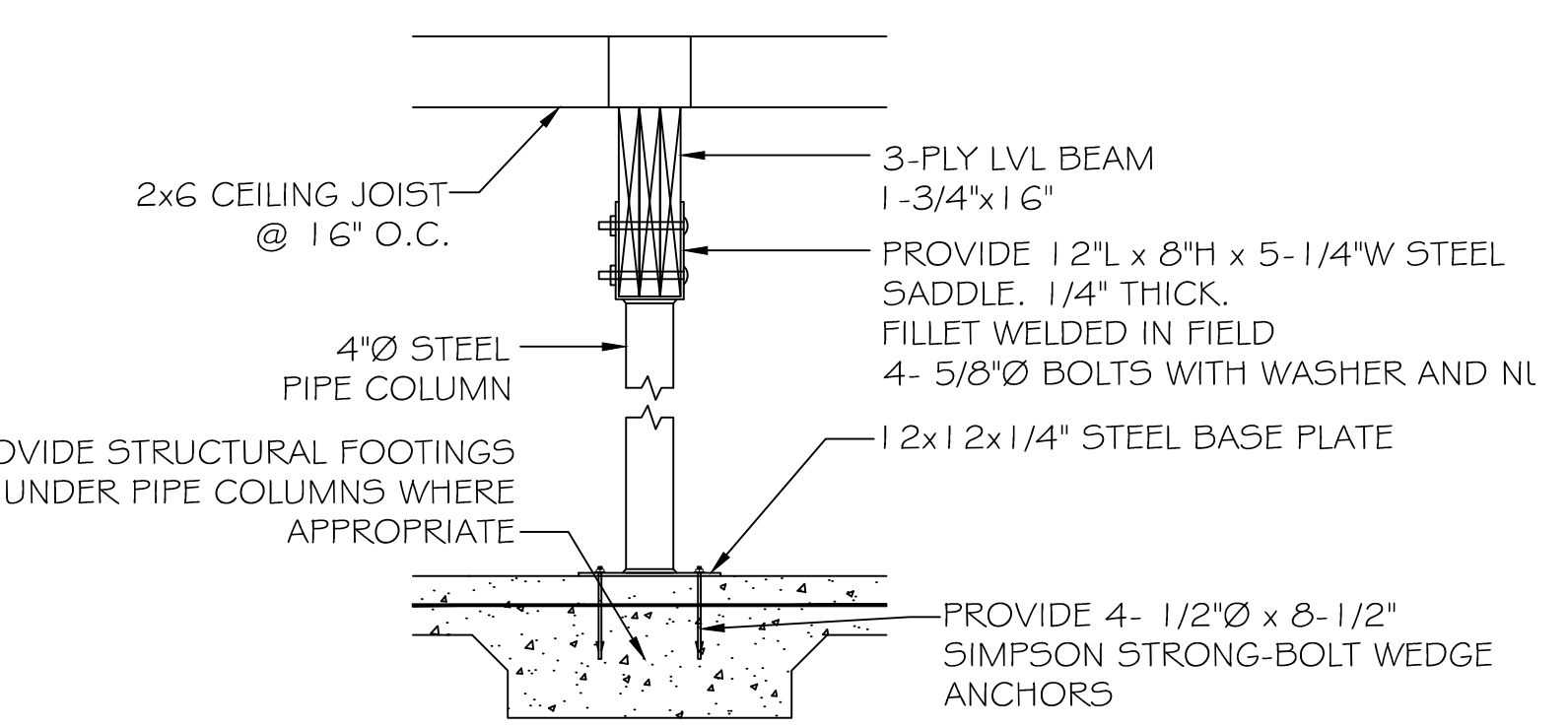
INTERIOR LOAD BEARING WALL SECTION
SCALE: 3/4" = 1'-0"



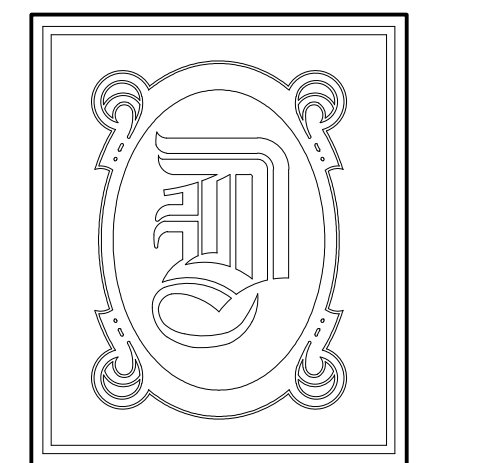
PORTE COCHERE COLUMN FRAMING DETAIL
SCALE: 3/4" = 1'-0"



EXTERIOR WALL SECTION
SCALE: 3/4" = 1'-0"



INTERIOR LVL BEAM SADDLE DETAIL
SCALE: N.T.S.



DAMMON ENGINEERING, INC.

CHIEF ENGINEER
EMMETT DAMMON, P.E.

CHIEF ARCHITECT
ROBERT WILTSE

1095 FLORIDA AVENUE
SLIDELL, LA. 70458
OFFICE: 985-649-5832
FAX: 985-641-5950

WEBSITE:
WWW.DAMMONENGINEERING.COM

EMAIL:
DAMMONENG@BELLSOUTH.NET

ARCHITECTURE
ENGINEERING
STUDIES
PLANNING
INVESTIGATION
EXPERT WITNESS

ANDERSON
MEMORY CARE
4104 DAUPHINE ST.
SLIDELL, LA
70458

BUILDING AND WALL SECTIONS

REV:

SCALE: AS NOTED

JOB#:

DATE: 07-15-10

SHEET

S-5

OF