

DAMMON
ENGINEERING, INC.

CHIEF ENGINEER
EMMETT
DAMMON, P. E.
CHIEF ARCHITECT
ROBERT
WILTSE

1095 FLORIDA AVENUE
SUITE L, LA. 70458
OFFICE: 985-649-5832
FAX: 985-641-5950

WEBSITE:
WWW.DAMMONENGINEERING.COM
EMAIL:
DAMMONENG@BELLSouth.NET

ARCHITECTURE
ENGINEERING
STUDIES
PLANNING
INVESTIGATION
EXPERT WITNESS

NEW/
APARTMENT
COMPLEX

CROSSWINDS
APARTMENTS
HAMMOND, LA

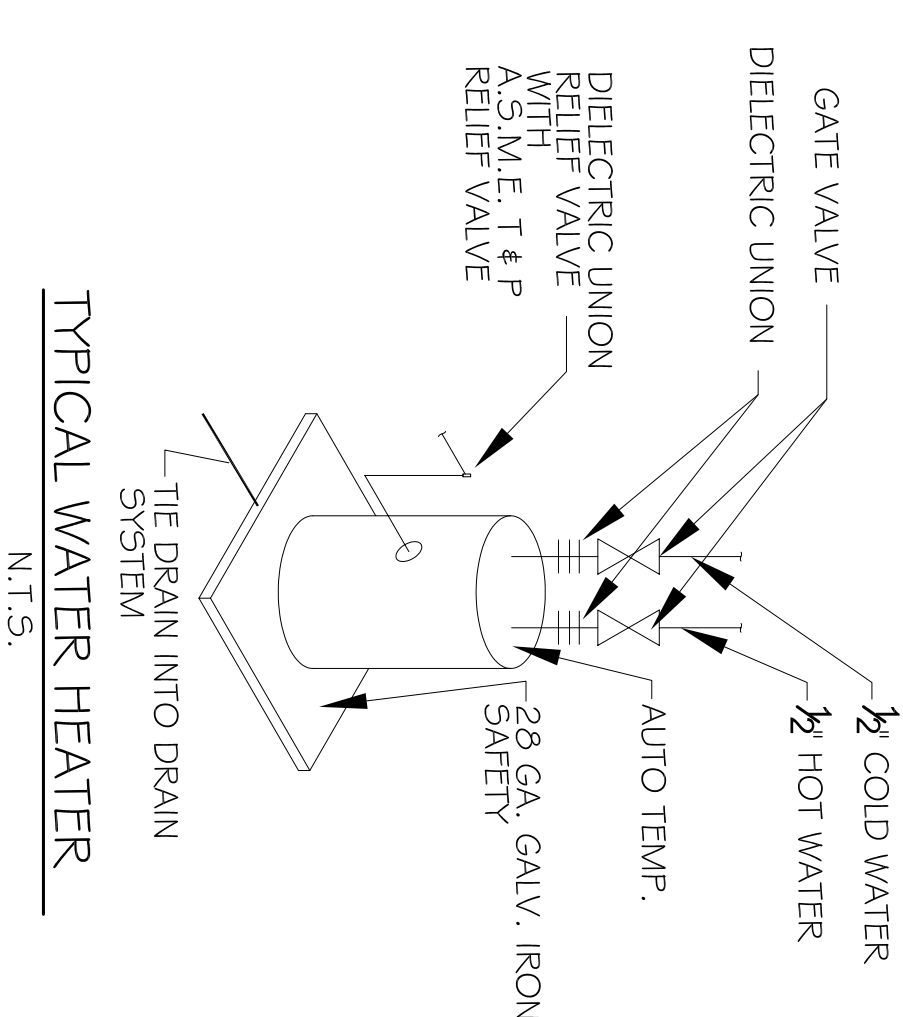
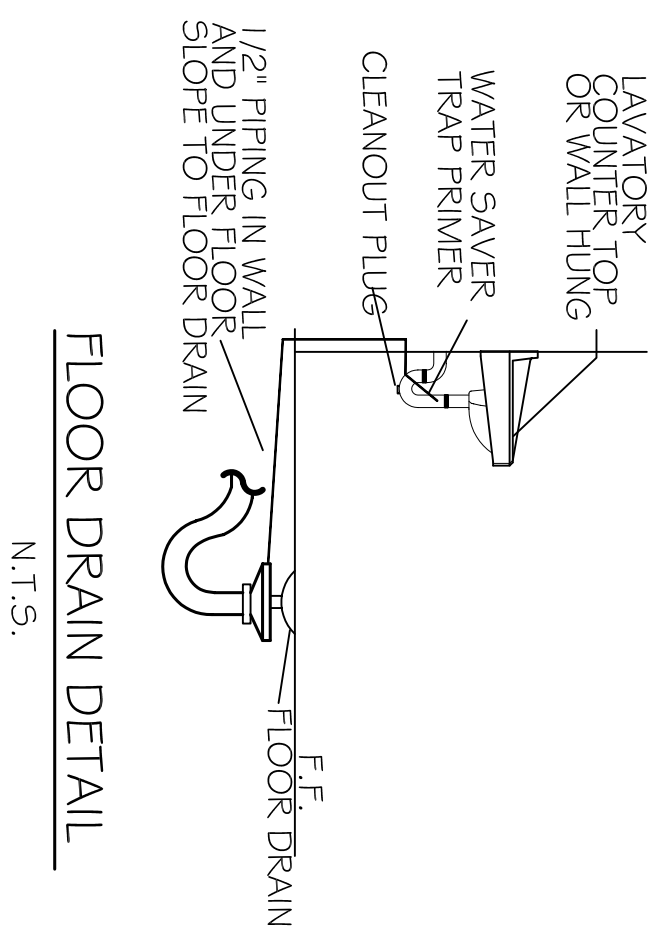
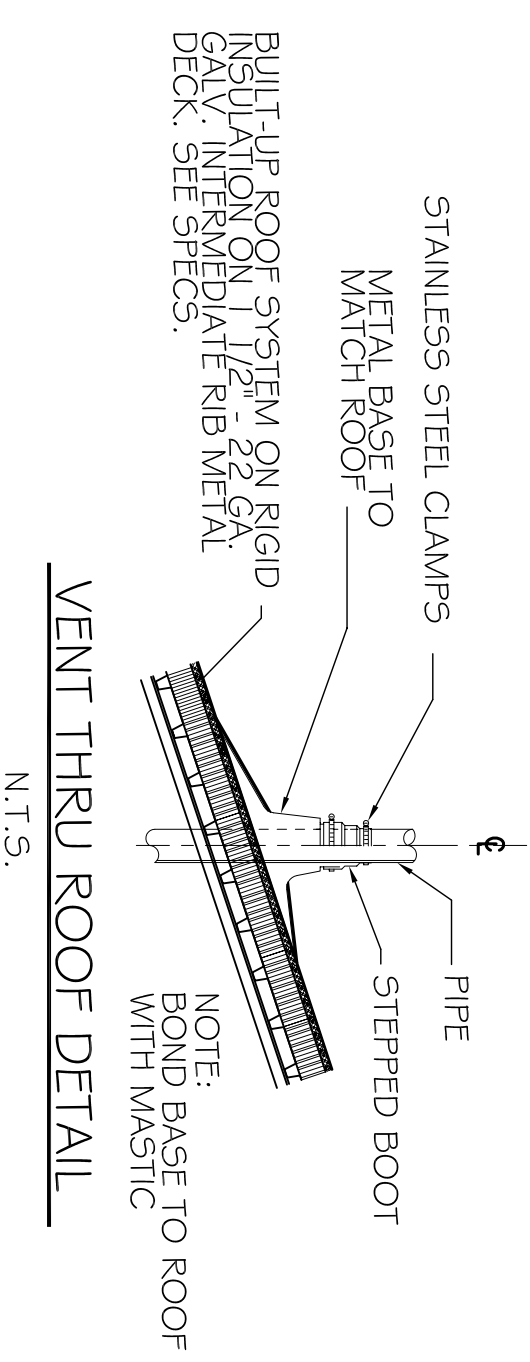
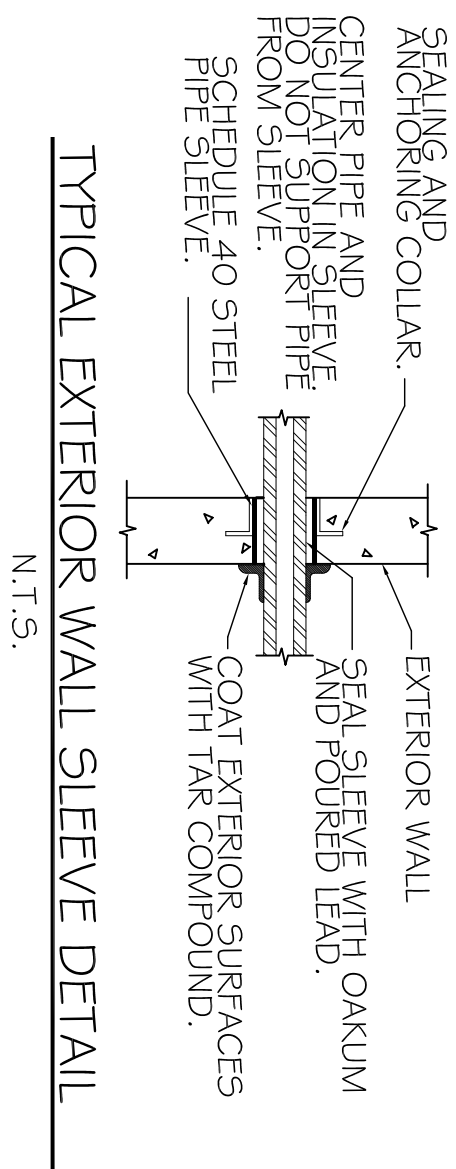
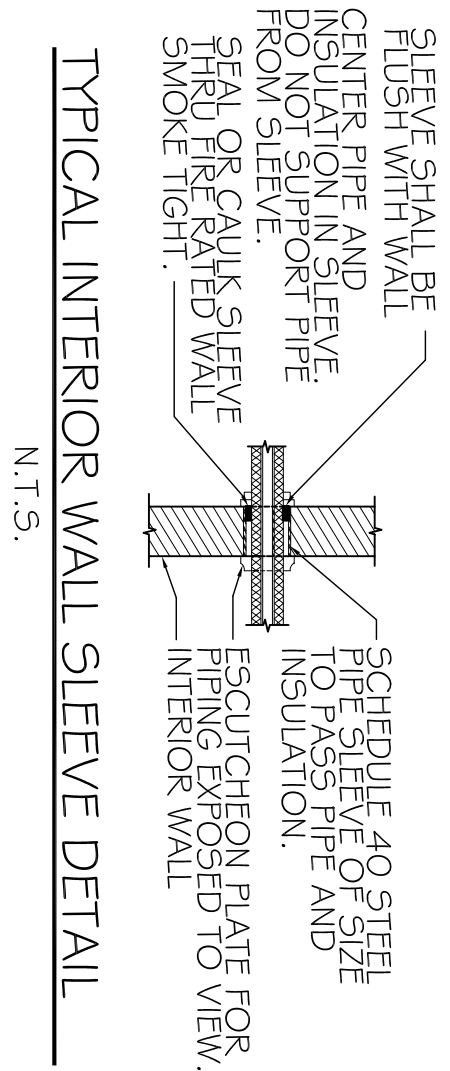
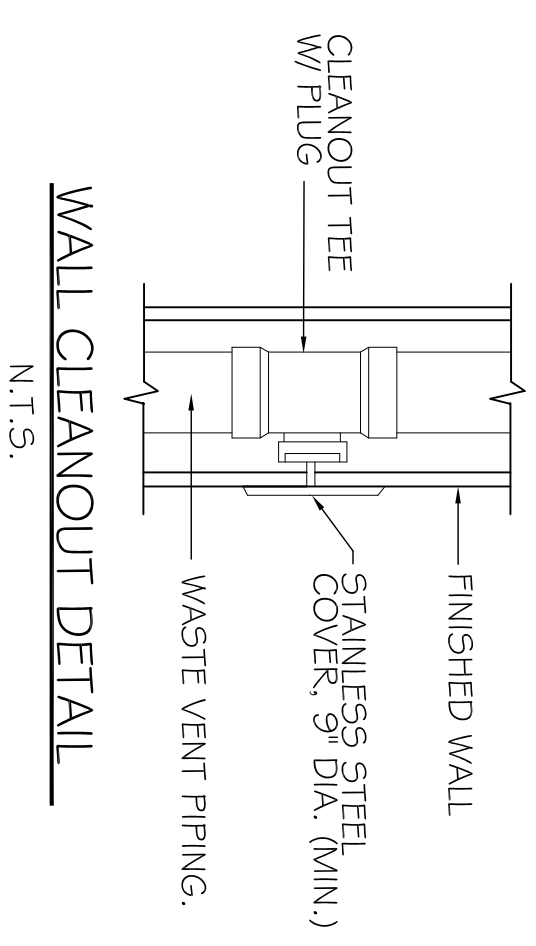
PLUMBING NOTES
AND DETAILS

REV:
SCALE: AS NOTED
JOB#: 08112.13
DATE: 12-16-09
SHEET

P-1
OF

PLUMBING NOTES

1. PROVIDE ALL LABOR, MATERIAL AND EQUIPMENT FOR A COMPLETE OPERATING SYSTEM. THE SYSTEM SHALL INCLUDE HOT AND COLD WATER PIPING, SEWER AND VENT PIPING, INSULATION, WATER HEATER, HANGERS, VALVES, SUPPORTS WITHOUT ANY RESTRICTIONS TO COLUMN, CUT AND PATCH AS REQUIRED TO INSTALL PIPES.
2. ALL WORK AND MATERIAL SHALL CONFORM STRICTLY TO THE LATEST LOCAL, CITY, PARISH, STATE AND NATIONAL PLUMBING CODES.
3. CONTRACTOR IS TO FIELD VERIFY ALL EXISTING UTILITY LOCATIONS, ELEVATIONS AND SIZES PRIOR TO COMMENCING ANY WORK. CONTRACTOR SHALL PAY NECESSARY FEES FOR THE UTILITIES CONNECTIONS.
4. CONTRACTOR IS RESPONSIBLE TO VERIFY THE EXISTING INVERTS AND SET NEW INVERTS OF SEWERAGE AND DRAINAGE PIPES.
5. SEWERAGE LINES 3-INCH AND SMALLER SHALL BE SLOPED $\frac{1}{8}$ " PER FOOT. LINES 4-INCH AND LARGER SHALL BE $\frac{1}{4}$ " PER FOOT.
6. TEST ALL PIPING AT REQUIRED PRESSURE.
7. ALL PLUMBING SHALL BE CLOSELY COORDINATED WITH STRUCTURAL SYSTEM, MECHANICAL SYSTEM AND ELECTRICAL TO INSURE NO TRADES WILL CONFLICT WITH EACH OTHER.
8. DO NOT SCALE DRAWINGS. SEE ARCHITECTURAL DRAWINGS FOR EXACT LOCATIONS OF DOORS, WINDOWS, WALLS, FIXTURES, ETC.
9. ALL WATER MAINS AND PIPING NOT SHOWN FOR CLARITY, FIELD VERIFIED ALL LOCATIONS.
10. DOMESTIC HOT AND COLD WATER PIPING AND FITTINGS UNDER SLAB SHALL BE ASTM B88 COPPER TYPE L. HARD DRAWN WITH COPPER PRESSURE TYPE FITTINGS. ANSI B1.6.22. THE JOINTS SHALL BE SOLDERED TYPING USING ASTM B32, ALLOY GRADE 95A (95-5) SOLDER.
11. DOMESTIC WATER PIPING AND FITTINGS ABOVE THE SLAB SHALL BE ASTM B88 COPPER WATER TUBE, TYPE L. HARD DRAWN WITH COPPER PRESSURE TYPE FITTINGS. ANSI B1.6.22. THE JOINTS SHALL BE SOLDERED TYPING USING ASTM B32, ALLOY GRADE 95A (95-5) SOLDER.
12. SOIL, WASTE, VENT PIPING AND FITTINGS ABOVE THE SLAB SHALL BE SERVICE WEIGHT CAST IRON PIPE WITH BELL AND SPIGOT ENDS AND ONE PIECE INDEPENDENT TYPE GASKET. USE P.V.C. SCHEDULE 40 OR A85 DWV PIPES AND FITTINGS WHERE PERMITTED BY CODE.
13. ALL WATER PIPING AND FITTINGS ABOVE THE FLOOR SHALL BE INSULATED WITH $\frac{1}{2}$ " THICK FIBERGLASS INSULATION AND JACKET.
14. ALL ELECTRICAL, MECHANICAL AND PLUMBING PENETRATING FIRE PARTITIONS SHALL BE FIRE CAULKED. PENETRATIONS THROUGH RATED CONSTRUCTION SHALL BE SEALED WITH A MATERIAL CAPABLE OF PREVENTING THE PASSAGE OF FLAMES AND HOT GASES WHEN TESTED IN ACCORDANCE WITH ASTM E 814.
15. ALL PLUMBING LINES SHOWN ARE DIAGRAMMATIC.



PLUMBING FIXTURE SCHEDULE

MARK	DESCRIPTION	TYPE	ROUGH IN SIZES	NOTES
WC	WATER CLOSET	VALVE	4" 4" 1/2"	3
LAV	LAVATORY	WALL HUNG	2" 1/2" 1/2"	1, 2, 3
F.D.	FLOOR DRAIN	-	2" 1/2" 1/2"	4
KS	KITCHEN	-	2" 1/2" 1/2"	-
BT	BATH TUB	-	2" 1/2" 1/2"	-
ICM	ICE MAKER	-	2" 1/2" 1/2"	-
WASH	WASHING MACHINE	-	2" 1/2" 1/2"	-
ARK COND	ARK HANDLING UNIT	-	2" 1/2" 1/2"	-

- NOTES:
1. INSULATE PIPING FOR HANDICAP FIXTURE.
 2. PROVIDE CHAIR CARRIER FOR WALL HUNG FIXTURE.
 3. H.C. - HANDICAP FIXTURE WHERE APPLICABLE.
 4. INSTALL CONTINUOUS DRIP VALVE ON ALL FLOOR DRAINS.