

DAMMON
ENGINEERING, INC.

CHIEF ENGINEER
EMMETT
DAMMON, P.E.
CHIEF ARCHITECT
ROBERT
WILTSE

1095 FLORIDA AVENUE
SLIDELL, LA. 70458
OFFICE: 985-649-5832
FAX: 985-641-5950

WEBSITE:
WWW.DAMMONENGINEERING.COM
EMAIL:
DAMMONENG@BELLSOUTH.NET

ARCHITECTURE
ENGINEERING
STUDIES
PLANNING
INVESTIGATION
EXPERT WITNESS

NEW
APARTMENT
COMPLEX

CROSSWINDS
APARTMENTS
HAMMOND, LA

UNITS 1A,
1A-HC, 1B & 2A
ELECTRICAL
PLAN

REV:

SCALE: AS NOTED

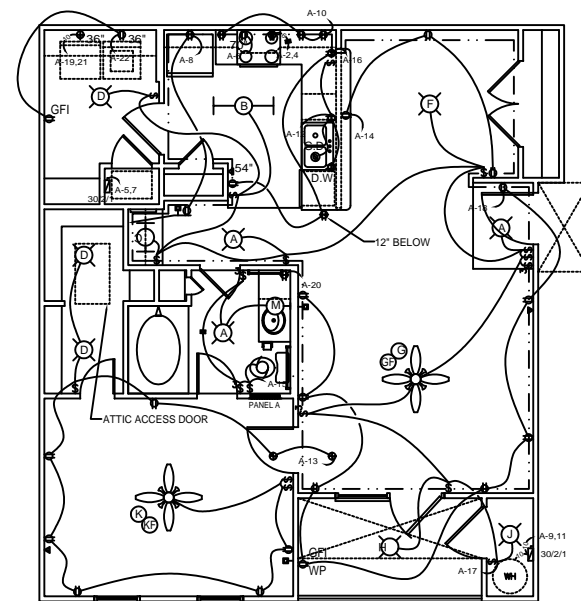
JOB#: 08112.13

DATE: 12-11-09

SHEET

E-5

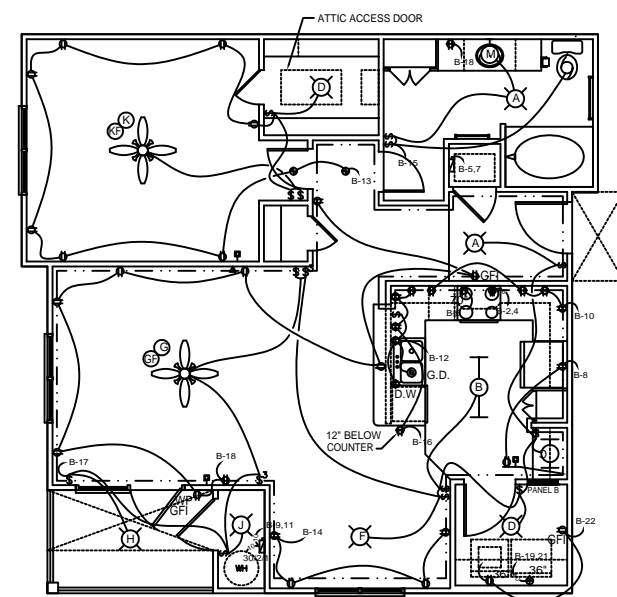
OF



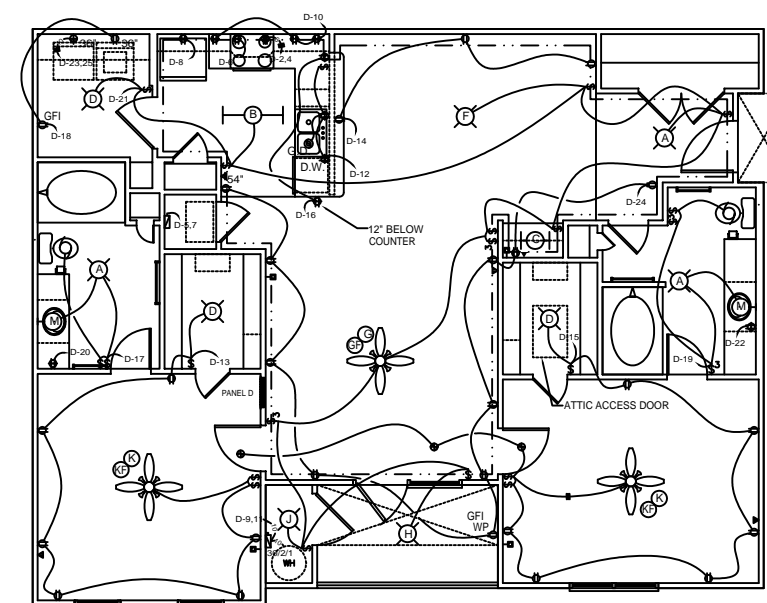
UNIT 1A ELECTRICAL PLAN
SCALE: 1/8" = 1'-0"



UNIT 1A-HC ELECTRICAL PLAN
SCALE: 1/8" = 1'-0"



UNIT 1B ELECTRICAL PLAN
SCALE: 1/8" = 1'-0"



UNIT 2A ELECTRICAL PLAN
SCALE: 1/8" = 1'-0"