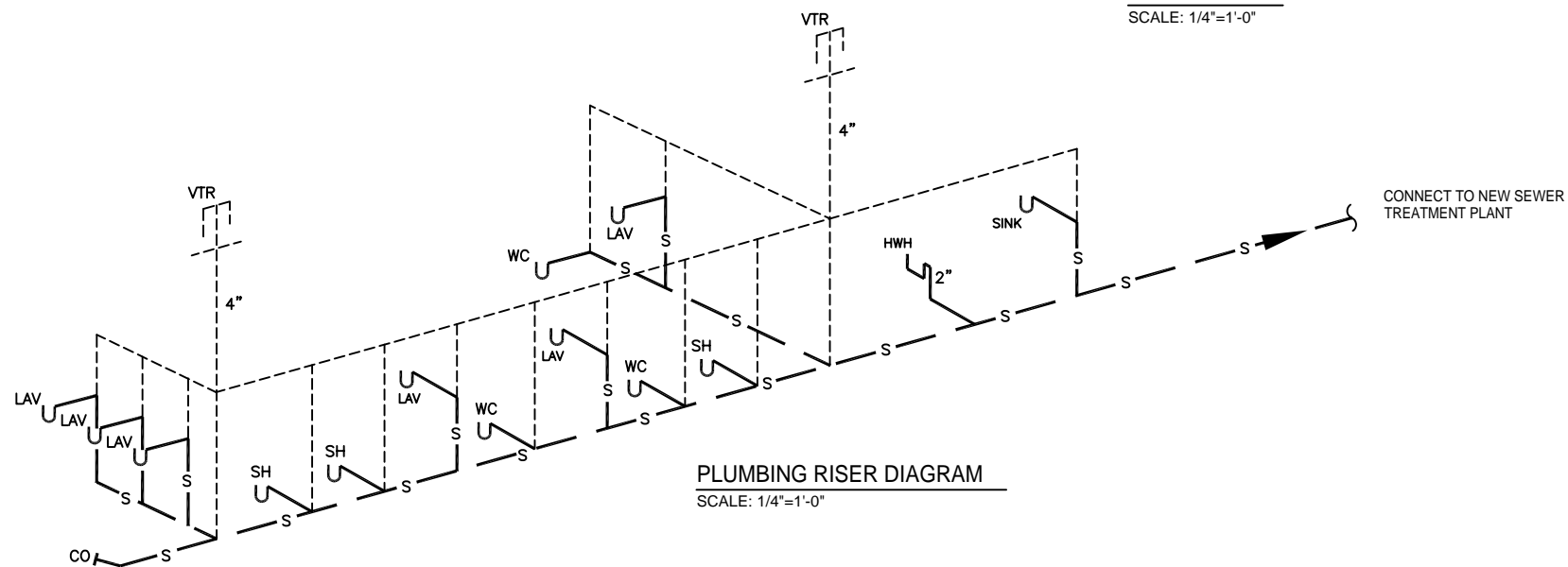
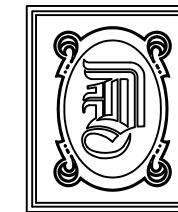


FLOOR PLAN
SCALE: 1/4"=1'-0"



PLUMBING RISER DIAGRAM
SCALE: 1/4"=1'-0"



DAMMON
ENGINEERING, INC.

CHIEF ENGINEER
EMMETT
DAMMON, P.E.

CHIEF ARCHITECT
ROBERT
WILTSE

1095 FLORIDA AVENUE
SLIDELL, LA. 70458
OFFICE: 985-649-5832
FAX: 985-641-5950

WEBSITE:
WWW.DAMMONENGINEERING.COM

EMAIL:
DAMMONENG@BELLSOUTH.NET

ARCHITECTURE

ENGINEERING

STUDIES

PLANNING

INVESTIGATION

EXPERT WITNESS

MIKE
PATTERSON'S
KIDS
CAMP

FLOOR
PLAN

REV:

SCALE: AS NOTED

JOB#:

DATE: 12-11-08

SHEET

A-1

OF