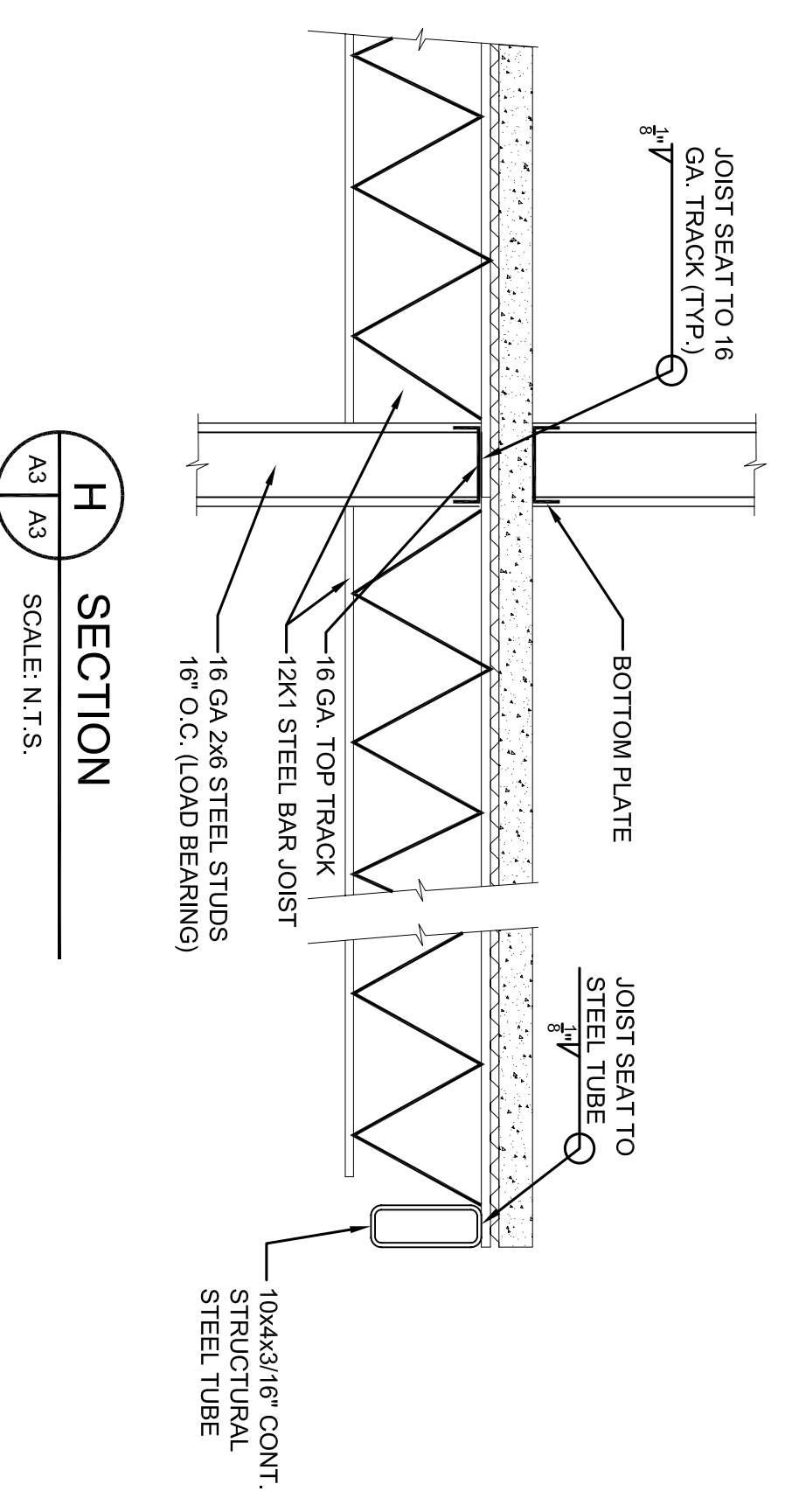


FRAMING NOTE: ALL LOAD BEARING STUD WALLS SHALL BE 16GA, 2x6 STEEL STUDS @ 16\"/>

FRAMING PLAN SCALE: 1/4\"/>

GENERAL CONSTRUCTION NOTES

1. INSULATION AND INSULATION ASSEMBLIES SHALL MEET THE REQUIREMENTS OF SECTION 719. A. CONCEALED INSULATION SHALL HAVE A FLAME SPREAD OF 0-25 AND SMOKE DEVELOPED INDEX OF 0-450. EXCEPT THAT IN COMBUSTIBLE (WOOD FRAME) CONSTRUCTION.
 - B. FACING SHALL COMPLY WITH IBC 2006.
 2. PROVIDE 8"x8" LANDINGS. LEVEL WITH FINISHED FLOOR. OUTSIDE EXTERIOR DOORS. THRESHOLDS SHALL BE NOT MORE THAN 1/2" IN HEIGHT AND SHALL BE BEVELED IF MORE THAN 1/4".
 3. DIMENSIONS ARE TO CENTERLINE. FACE OF STUDS, CENTER OF COLUMNS, OR FACE OF VENEER.
 4. CONTRACTOR TO VERIFY ALL SITE CONDITIONS, BUILDING LOCATIONS, AND DIMENSIONS PRIOR TO CONSTRUCTION.
 5. MATERIALS SHALL BE NEW AND U.L. LISTED.
 6. NO WORK SHALL BE CONCEALED UNTIL APPROVED BY LOCAL INSPECTORS.
 7. CONSTRUCTION SHALL COMPLY WITH ALL PARISH, STATE, AND LOCAL CODES.
 8. CONTRACTOR TO GUARANTEE WORK FOR ONE YEAR.
 9. CONTRACTOR SHALL FURNISH WATER AND POWER FROM EXISTING SOURCES.
 10. EXTERIOR CAULKING SHALL BE THIOXAL CAULK.
 11. PAINT GRADE TO SHALL BE SHERWIN WILLIAMS OR EQUIVALENT. ALL WORK TO RECEIVE 3 COATS. COLOR SELECTION BY OWNER.
 12. PROVIDE CLEANUP ON A REGULAR BASIS. NO TRASH STORED IN BUILDING.
 13. ALL BATT INSULATION SHALL HAVE A CLASS "A" (0-25) FLAME SPREAD IN COMPLIANCE WITH APPLICABLE CODE.
 14. USE 6" STUDS, OR 4" STAGGERED STUDS AT ALL PLUMBING WALLS.
15. PROVIDE GALVANIZED METAL PAN WITH DRAIN AT WATER HEATER LOCATION.
 16. ALL CORNERS SHALL BE PROPERLY BRACED FOR WIND LOADS. A 48" SHEATHING SHALL BE PROVIDED EVERY 20 FEET OF WALL LENGTH.
 17. FLOORING SHALL BE NON-SLIP.
 18. INTERIOR LOCKS ON DOORS IN MEANS OF EGRESS SHALL NOT REQUIRE THE USE OF A KEY. SPECIAL KNOWLEDGE, OR SPECIAL DEVICE TO OPEN IN THE DIRECTION OF EGRESS. ALL DOORS SHALL HAVE LEVER TYPE HANDLES.
 19. INTERIOR WALLS AND CEILINGS SHALL HAVE A FLAME SPREAD OF 76-200 AND A SMOKE DEVELOPMENT RATING OF 0-450 ACCORDING TO IBC 2006 SECTION 803.1.
 20. ALL WORK SHALL COMPLY WITH THE LATEST EDITION OF ALL LOCAL, STATE, AND NATIONAL CODES COVERING THE TYPE OF WORK BEING PERFORMED.
 21. PROVIDE PORTABLE FIRE EXTINGUISHERS IN ACCORDANCE WITH NFPA 101. SEE APPENDIX "E" OF NFPA 101 FOR DISTRIBUTION OF EXTINGUISHERS.
 22. ALL FIRE WALLS SHALL EXTEND TIGHT TO ROOF SHEATHING, AND BE SEALED WITH AN APPROVED FIRE CAULK.
 23. ALL ELECTRICAL, MECHANICAL, AND PLUMBING MATERIALS PENETRATING FIRE WALLS SHALL BE FIRE CALKED. (PENETRATIONS THROUGH RATED CONSTRUCTION SHALL BE SEALED WITH A MATERIAL CAPABLE OF PREVENTING THE PASSAGE OF FLAMES AND HOT GASES IN ACCORDANCE WITH IBC 2006 SECTION 712.)



SECTION H SCALE: N.T.S.

<p>EL-BETHEL PENTECOSTAL CHURCH</p> <p>DAMMON ENGINEERING, INC.</p> <p>1095 FLORIDA AVENUE 985-649-5832 SLIDELL, LA. 70458 DAMMONENGINEERING.COM</p>	<p>FRAMING PLAN</p> <p>EUGENE WELLINGTON ALLEN ROAD SLIDELL, LOUISIANA</p>	<p>SCALE: AS NOTED</p> <p>FILE:</p> <p>JOB NO. 1819</p> <p>DATE: 3-29-07</p> <p>SHEET 12</p> <p>A-3</p> <p>OF 22</p>
---	--	---