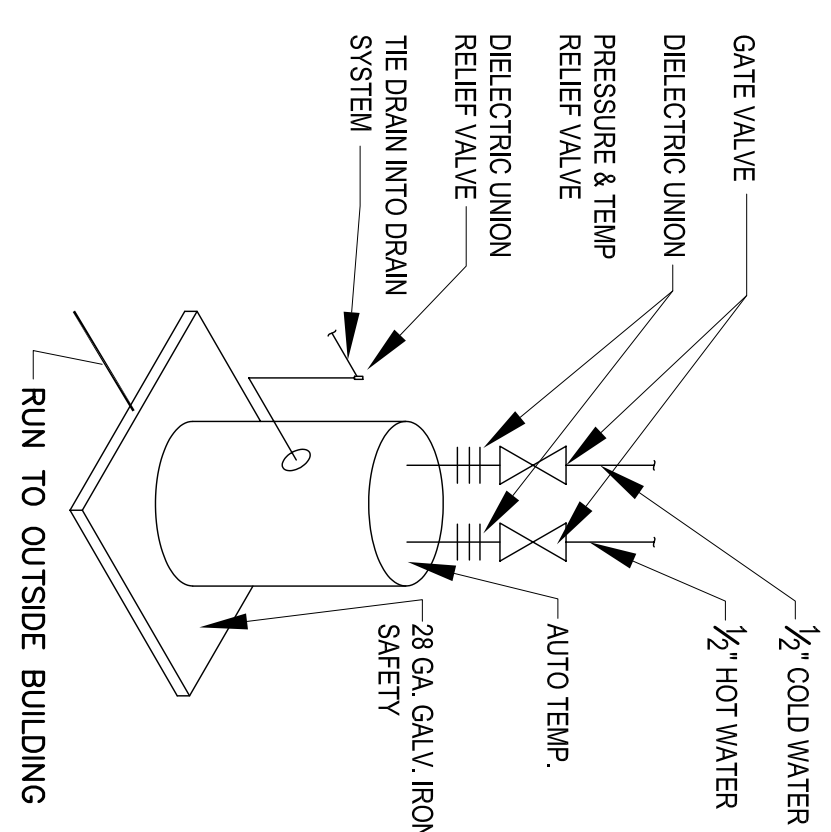


1st FLOOR PLUMBING PLAN
SCALE: 1/4"=1'-0"

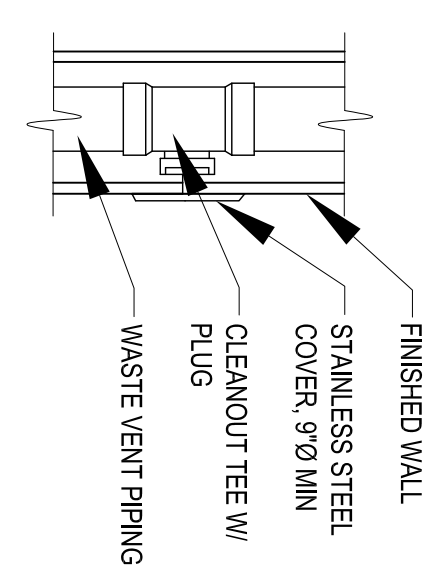
PLUMBING NOTES

1. PROVIDE ALL LABOR, MATERIAL AND EQUIPMENT FOR A COMPLETE OPERATING SYSTEM. THE SYSTEM SHALL INCLUDE HOT AND COLD WATER PIPING, SEWER AND VENT PIPING, INSULATION, WATER HEATER, HANGERS, VALVES, AND ALL SUPPORTS WITHOUT ANY RESTRICTIONS TO VOLUME, CUT AND PATCH AS REQUIRED TO INSTALL PIPES.
2. ALL WORK AND MATERIAL TO COMPLY STRICTLY TO THE LATEST LOCAL, CITY, PARISH, STATE, AND NATIONAL GOVERNING CODES.
3. CONTRACTOR IS TO FIELD VERIFY ALL EXISTING UTILITY LOCATIONS, ELEVATIONS, AND SIZES PRIOR TO COMMENCING ANY WORK. CONTRACTOR SHALL PAY NECESSARY FEES FOR THE UTILITIES CONNECTIONS.
4. SEWAGE LINES 3" AND SMALLER SHALL BE SLOPED 1/8" PER FOOT AND LINES 4" AND LARGER SHALL BE 1/4" PER FOOT.
5. TEST ALL PIPING AT REQUIRED PRESSURE.
6. TEST ALL PLUMBING SHALL BE CLOSELY COORDINATED WITH STRUCTURAL, MECHANICAL, AND ELECTRICAL SYSTEMS TO INSURE NO TRADES WILL CONFLICT WITH EACH OTHER'S DRAWINGS. SEE DIMENSIONS ON ARCHITECTURAL DRAWINGS FOR EXACT LOCATIONS OF DOORS, WINDOWS, WALLS, FIXTURES, ETC.
7. ALL WATER MAINS AND PIPING NOT SHOWN FOR CLARITY. ALL LOCATIONS FIELD VERIFIED.
8. ALL WATER MAINS AND PIPING UNDER SLAB SHALL BE ASTM A888 COPPER WATER TUBE, TYPE "L", HARD DRAWN WITH COPPER PRESSURE TYPE FITTINGS, ANSI B16.22. THE JOINTS SHALL BE SOLDERED TYPE USING ASTM B32 ALLOY GRADE 90A (95-5) SOLDER.
9. SOIL, WASTE, VENT PIPING AND FITTINGS ABOVE THE SLAB SHALL BE SERVICE WEIGHT CAST IRON PIPE WITH BELL AND SPIGOT ENDS AND ONE PIECE NEOPRENE INSERT TYPE GASKET. USE PVC SCHEDULE 40 OR ABS DWV PIPES AND FITTINGS WHERE INDICATED BY CODE.
10. ALL WATER PIPING AND FITTINGS ABOVE THE FINISHED FLOOR SHALL BE INSULATED WITH 1/2" THICK FIBERGLASS INSULATION & JACKET.
11. ALL ELECTRICAL, MECHANICAL, AND PLUMBING PENETRATING FIRE WALLS SHALL BE FIRE CAULKED. (PENETRATIONS THROUGH RATED CONSTRUCTION SHALL BE SEALED WITH A MATERIAL CAPABLE OF PREVENTING THE PASSAGE OF FLAMES AND HOT GASES WHEN TESTED IN ACCORDANCE WITH ASTM E114.)

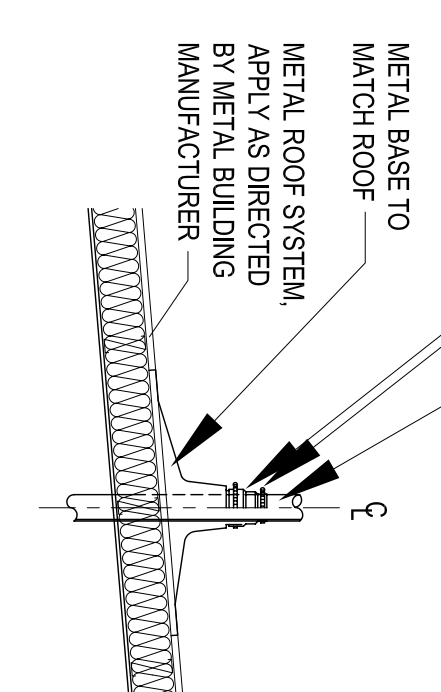
ALL WATER AND SANITARY SEWER LINES ARE DIAGRAMMATICALLY DRAWN FOR CLARITY. LOCATE WATER AND SEWER LINES AS NEEDED FOR FIELD REQUIREMENTS.



TYPICAL HOT WATER HEATER
N.T.S.



WALL CLEANOUT DETAIL
N.T.S.



VENT THROUGH ROOF DETAIL
N.T.S.

LEGEND
- - - COLD WATER
- - - HOT WATER
- - - SANITARY SEWER

SCALE: AS NOTED
FILE:
JOB NO. 1819
DATE: 3-29-07
SHEET 21
P-1
OF 22

EL-BETHEL PENTECOSTAL CHURCH
DAMMON ENGINEERING, INC.
1095 FLORIDA AVENUE 985-649-5832 SLIDELL, LA. 70458
DAMMONENGINEERING.COM

1st FLOOR PLUMBING PLAN
EUGENE WELLINGTON
ALLEN ROAD
SLIDELL, LOUISIANA