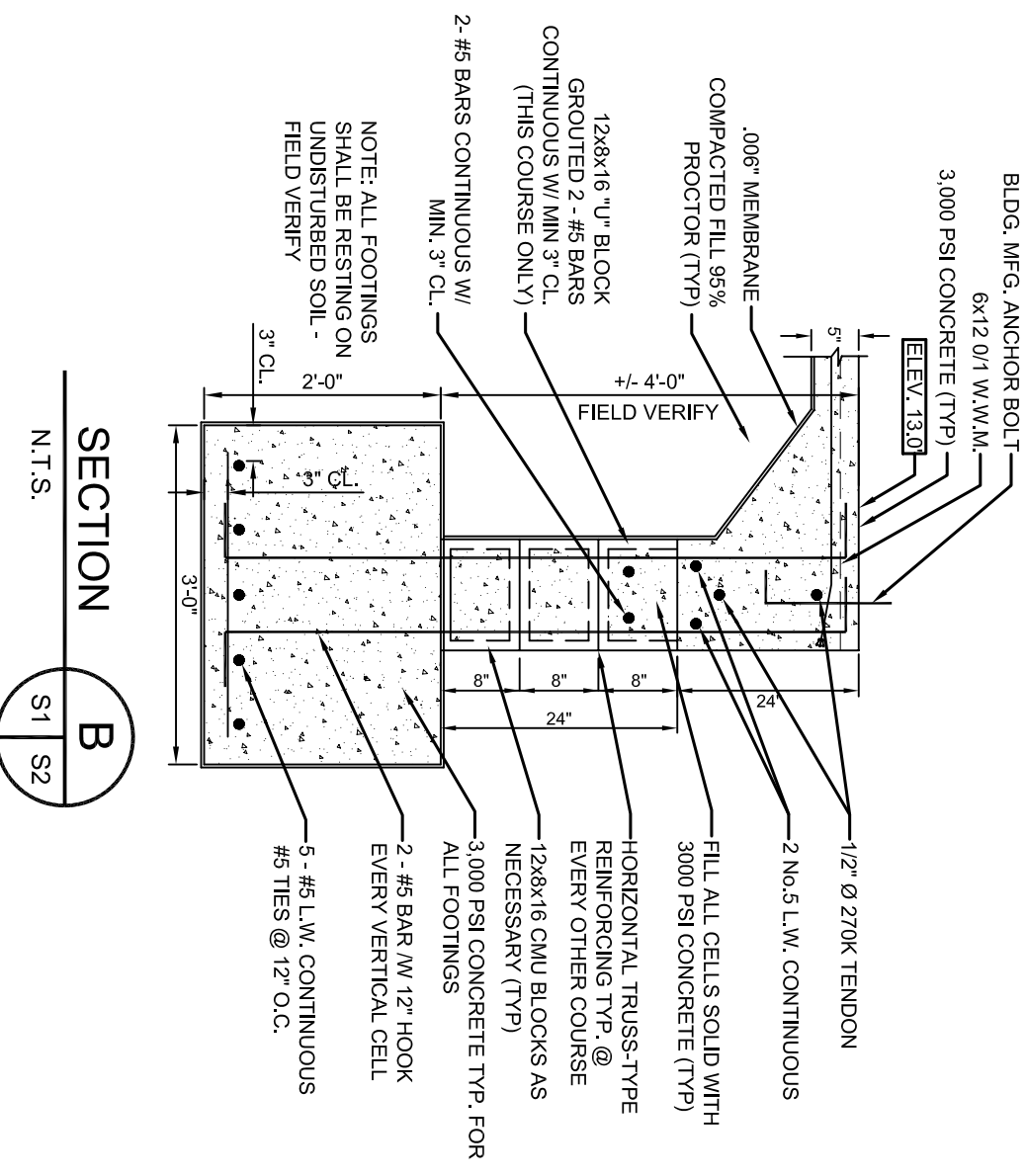
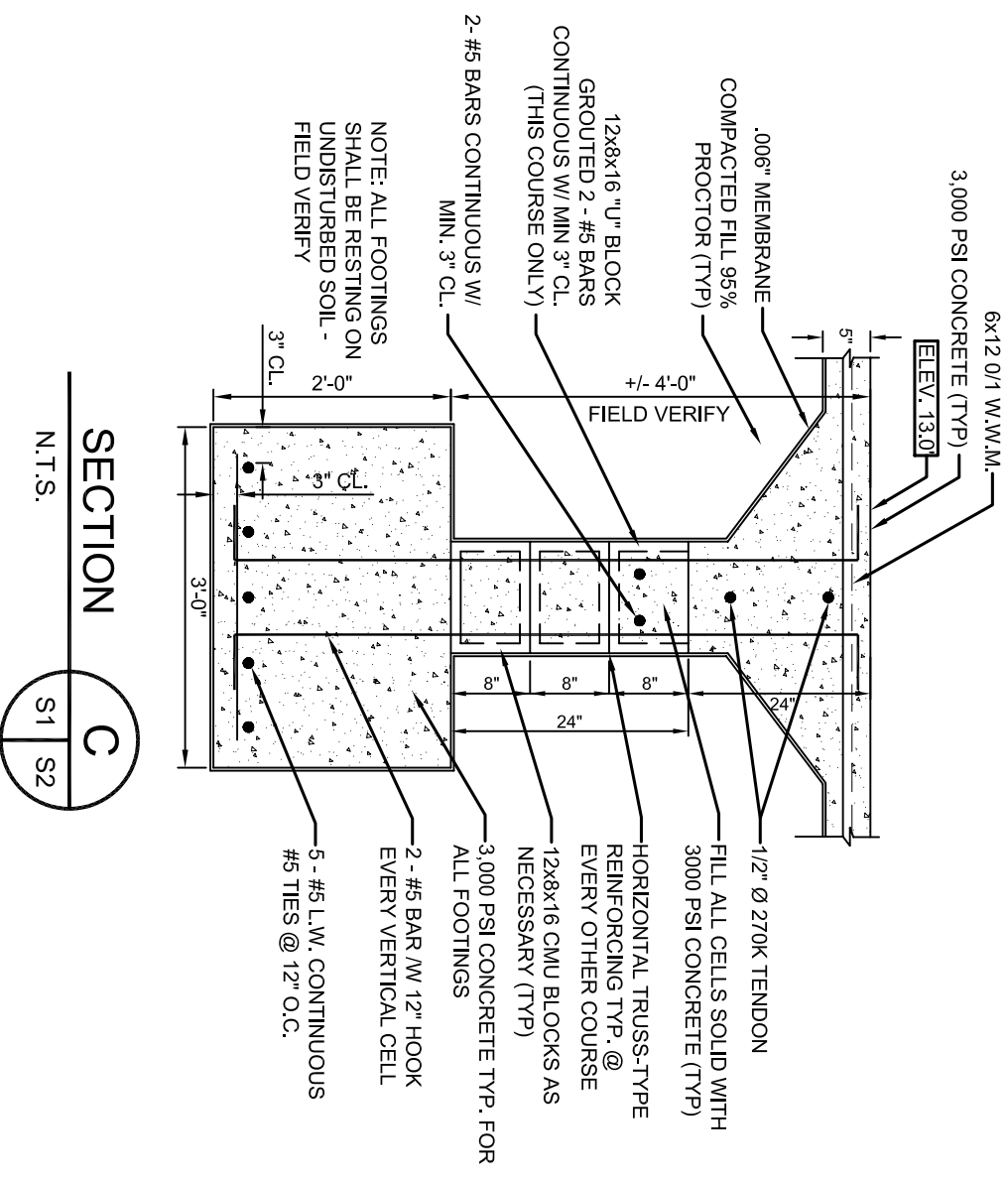


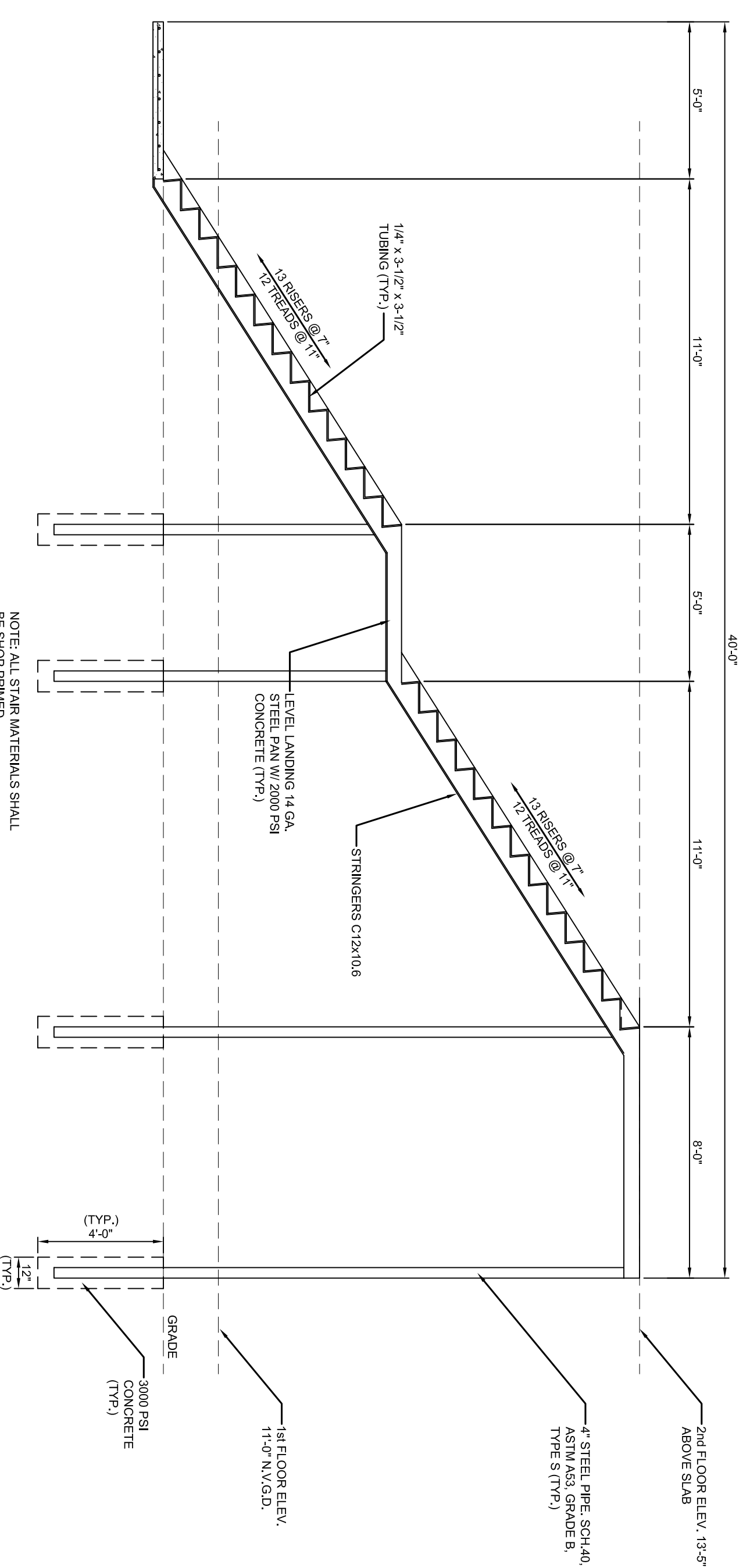
SECTION A
S1 S2
N.T.S.



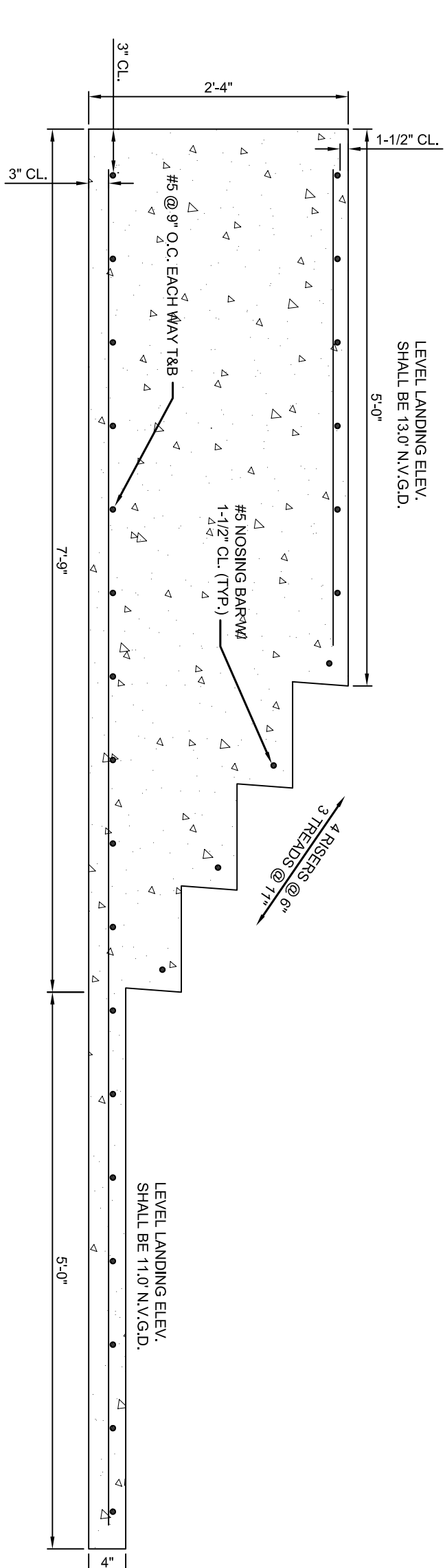
SECTION B
S1 S2
N.T.S.



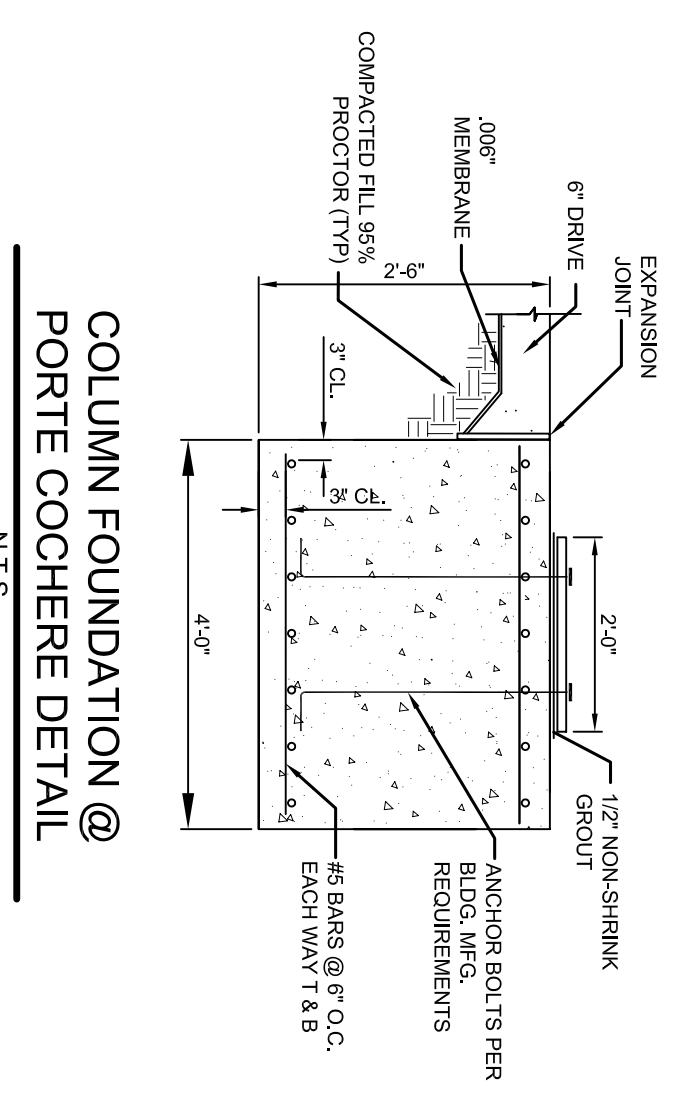
SECTION C
S1 S2
N.T.S.



SECTION E
S1 S2
N.T.S.



SECTION D
S1 S2
N.T.S.



COLUMN FOUNDATION @
PORTE COCHERE DETAIL
N.T.S.

FOUNDATION SECTIONS AND DETAILS
EUGENE WELLINGTON
ALLEN ROAD
SLIDELL, LOUISIANA

EL-BETHEL PENTECOSTAL CHURCH
DAMMON ENGINEERING, INC.
1095 FLORIDA AVENUE 985-649-5832 SLIDELL, LA. 70458
DAMMONENGINEERING.COM

SCALE: AS NOTED
FILE:
JOB NO. 1819
DATE: 3-29-07

SHEET 9
S-2
OF 22