

DAMMON ENGINEERING, INC.

CHIEF ENGINEER
EMMETT DAMMON, P.E.
CHIEF ARCHITECT
ROBERT WILTSE

1095 FLORIDA AVENUE
SLIDELL, LA, 70456
OFFICE: 985-649-5332
FAX: 985-641-5950

WWW.DAMMONENGINEERING.COM
EMAIL: DAMMONENG@SLIDELA.NE.T

ARCHITECTURE
ENGINEERING
STUDIES
PLANNING
INVESTIGATION
EXPERT WITNESS

EL-BETHEL
CHURCH

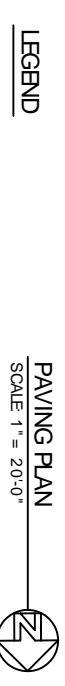
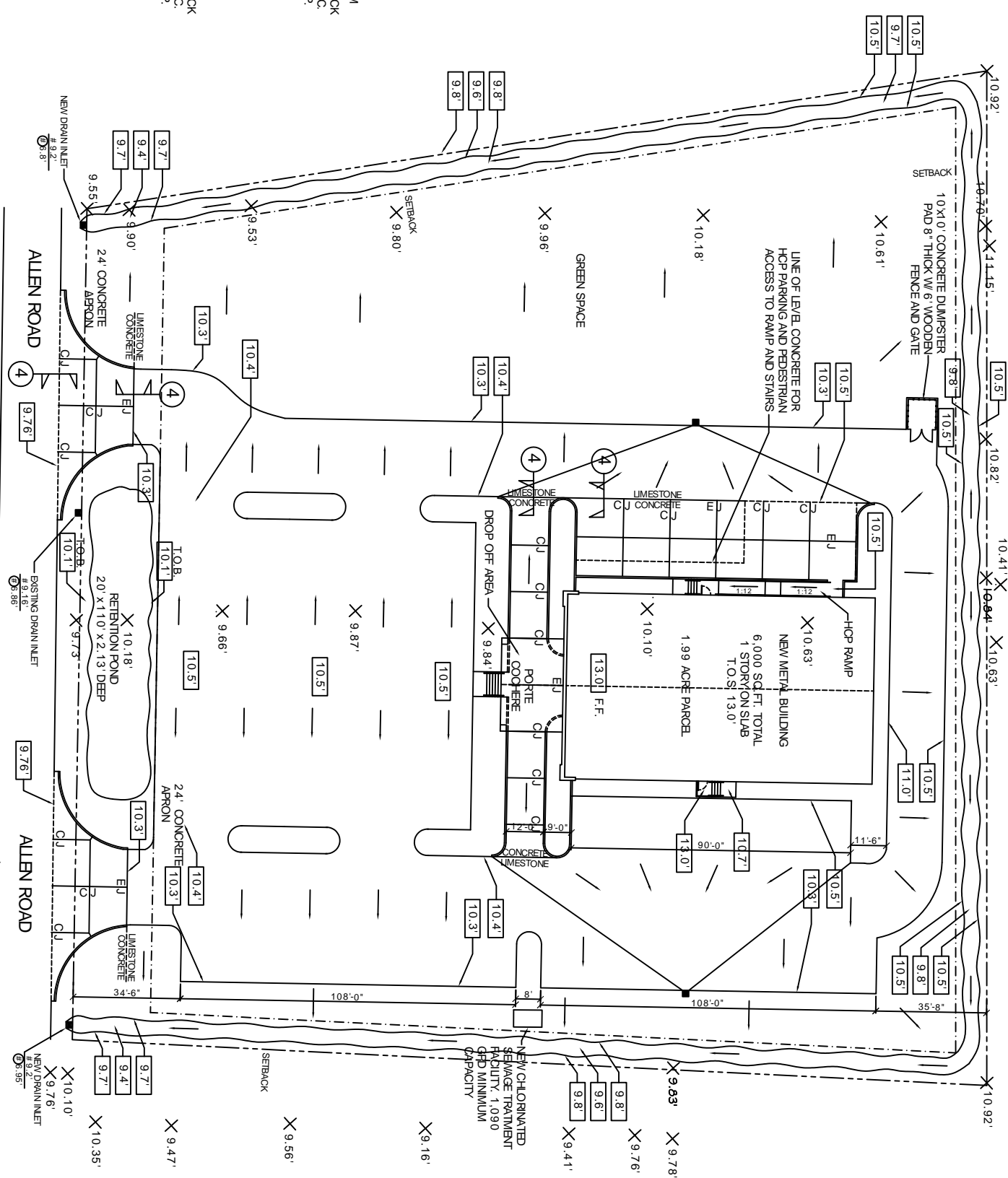
REV. EUGENE
WELLINGTON
ALLEN ROAD
SLIDELL, LA
70461

PAVING
PLAN

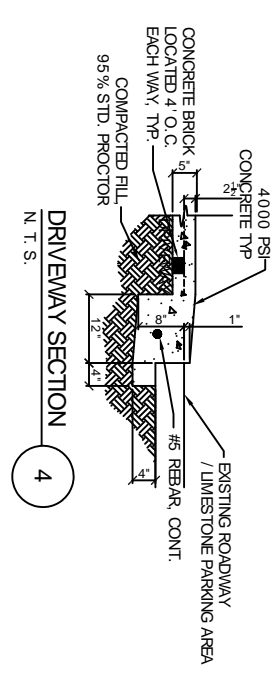
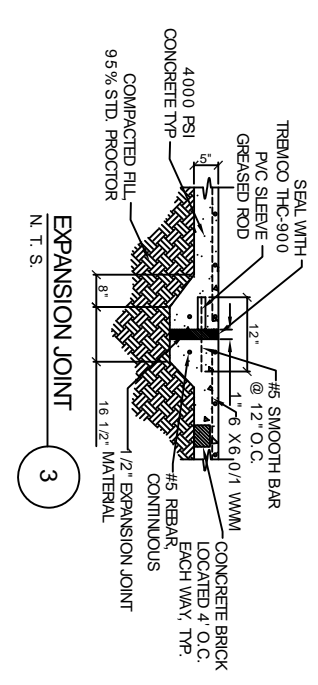
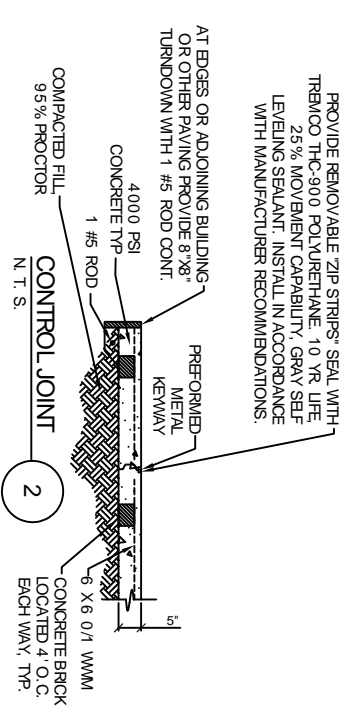
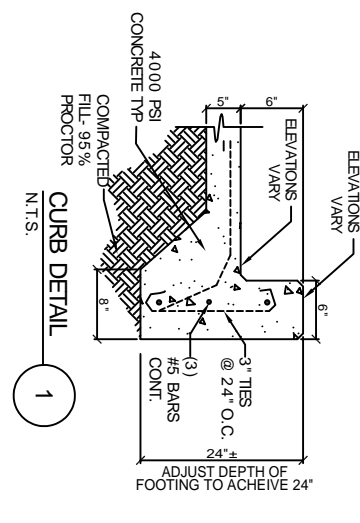
REV:	
SCALE:	AS NOTED
JOB#:	1819A
DATE:	11-19-08
SHEET:	3

C-2

OF 20



PAVING PLAN
SCALE 1" = 20'-0"



- PROPERTY LINE
- NEW BLDG. FOOTPRINT
- SETBACK LINE
- NEW FENCE
- 6" CONCRETE CURB
- EXPANSION JOINT (30x45)
- CONTROL JOINT (10x15)
- PAVEMENT SLOPE INDICATOR
- NEW DRAINAGE CATCH BASIN
- NEW ELEVATION
- NEW TOP OF CURB ELEVATION
- TEMPORARY SILT FENCE
- EXISTING GRADE ELEVATION