

PANEL: MDP										
LOCATION: SACTUARY/RESSING RM. WALL										
FEEDER SOURCE: MDP										
QTY	THHN SIZE	LOAD DESCRIPTION	BRK/PH	LOAD VA	40/50/70	LOAD VA	BRK/PH	LOAD DESCRIPTION	THHN SIZE	QTY
1	#12	SACTUARY RECEPALS	20	1500	0	1500	1	20	SACTUARY RECEPALS	#12
3	#12	SACTUARY RECEPALS	20	1500	0	1500	1	20	SACTUARY RECEPALS	#12
5	#12	SACTUARY RECEPALS	20	1500	0	1500	1	20	SACTUARY RECEPALS	#12
7	#12	SACTUARY RECEPALS	20	1500	0	1500	1	20	SACTUARY RECEPALS	#12
9	#12	SACTUARY RECEPALS	20	1500	0	1500	1	20	SACTUARY RECEPALS	#12
11	#12	SACTUARY RECEPALS	20	1500	0	1500	1	20	SACTUARY RECEPALS	#12
13	#12	SACTUARY RECEPALS	20	1500	0	1500	1	20	SACTUARY RECEPALS	#12
15	#12	SACTUARY RECEPALS	20	1500	0	1500	1	20	SACTUARY RECEPALS	#12
17	#12	SACTUARY RECEPALS	20	1500	0	1500	1	20	SACTUARY RECEPALS	#12
19	#12	SACTUARY RECEPALS	20	1500	0	1500	1	20	SACTUARY RECEPALS	#12
21	#12	SACTUARY RECEPALS	20	1500	0	1500	1	20	SACTUARY RECEPALS	#12
23	#12	SACTUARY RECEPALS	20	1500	0	1500	1	20	SACTUARY RECEPALS	#12
25	#12	SACTUARY RECEPALS	20	1500	0	1500	1	20	SACTUARY RECEPALS	#12
27	#12	SACTUARY RECEPALS	20	1500	0	1500	1	20	SACTUARY RECEPALS	#12
29	#12	SACTUARY RECEPALS	20	1500	0	1500	1	20	SACTUARY RECEPALS	#12
31	#12	SACTUARY RECEPALS	20	1500	0	1500	1	20	SACTUARY RECEPALS	#12
33	#12	SACTUARY RECEPALS	20	1500	0	1500	1	20	SACTUARY RECEPALS	#12
35	#12	SACTUARY RECEPALS	20	1500	0	1500	1	20	SACTUARY RECEPALS	#12
37	#12	SACTUARY RECEPALS	20	1500	0	1500	1	20	SACTUARY RECEPALS	#12
39	#12	SACTUARY RECEPALS	20	1500	0	1500	1	20	SACTUARY RECEPALS	#12
41	#12	SACTUARY RECEPALS	20	1500	0	1500	1	20	SACTUARY RECEPALS	#12
				TOTAL CONNECTED LOAD VA				GRAND BUS		
				40k-11300		50k-8322		50k-40921		

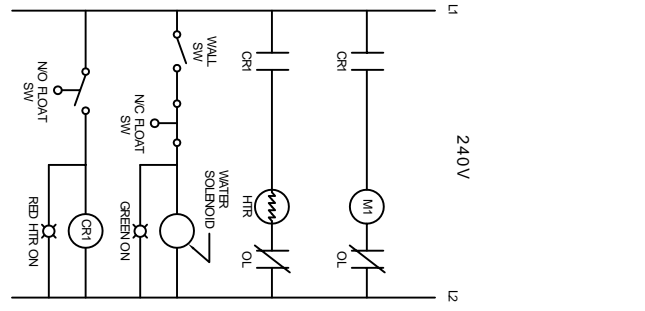
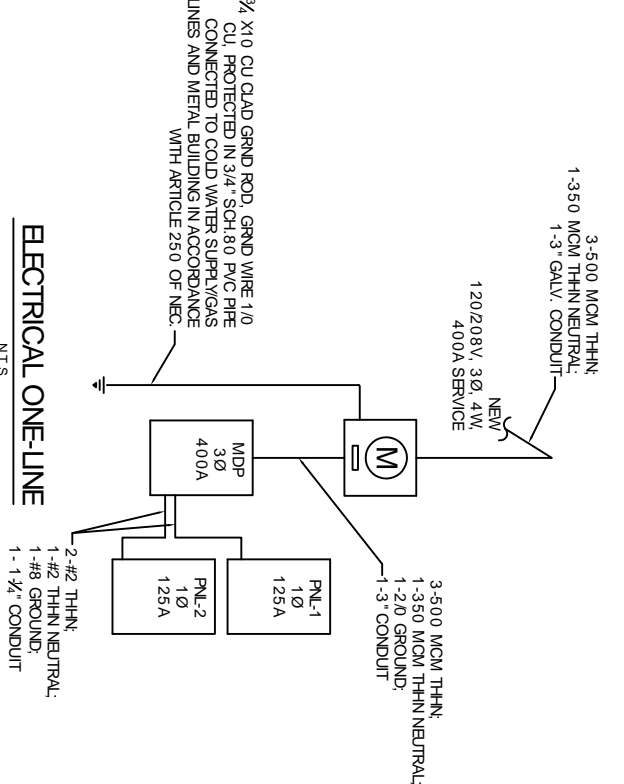
PANEL: P-1										
LOCATION: SACTUARY/RESSING RM. WALL										
FEEDER SOURCE: MDP										
QTY	THHN SIZE	LOAD DESCRIPTION	BRK/PH	LOAD VA	40/50/70	LOAD VA	BRK/PH	LOAD DESCRIPTION	THHN SIZE	QTY
1	#12	SACTUARY RECEPALS	20	1500	0	1500	1	20	SACTUARY RECEPALS	#12
3	#12	SACTUARY RECEPALS	20	1500	0	1500	1	20	SACTUARY RECEPALS	#12
5	#12	SACTUARY RECEPALS	20	1500	0	1500	1	20	SACTUARY RECEPALS	#12
7	#12	SACTUARY RECEPALS	20	1500	0	1500	1	20	SACTUARY RECEPALS	#12
9	#12	SACTUARY RECEPALS	20	1500	0	1500	1	20	SACTUARY RECEPALS	#12
11	#12	SACTUARY RECEPALS	20	1500	0	1500	1	20	SACTUARY RECEPALS	#12
13	#12	SACTUARY RECEPALS	20	1500	0	1500	1	20	SACTUARY RECEPALS	#12
15	#12	SACTUARY RECEPALS	20	1500	0	1500	1	20	SACTUARY RECEPALS	#12
17	#12	SACTUARY RECEPALS	20	1500	0	1500	1	20	SACTUARY RECEPALS	#12
19	#12	SACTUARY RECEPALS	20	1500	0	1500	1	20	SACTUARY RECEPALS	#12
21	#12	SACTUARY RECEPALS	20	1500	0	1500	1	20	SACTUARY RECEPALS	#12
23	#12	SACTUARY RECEPALS	20	1500	0	1500	1	20	SACTUARY RECEPALS	#12
25	#12	SACTUARY RECEPALS	20	1500	0	1500	1	20	SACTUARY RECEPALS	#12
27	#12	SACTUARY RECEPALS	20	1500	0	1500	1	20	SACTUARY RECEPALS	#12
29	#12	SACTUARY RECEPALS	20	1500	0	1500	1	20	SACTUARY RECEPALS	#12
				TOTAL CONNECTED LOAD VA				GRAND BUS		
				40k-11300		50k-8322		50k-40921		

PANEL: P-2										
LOCATION: PROVE/RECC. CLOSET										
FEEDER SOURCE: MDP										
QTY	THHN SIZE	LOAD DESCRIPTION	BRK/PH	LOAD VA	40/50/70	LOAD VA	BRK/PH	LOAD DESCRIPTION	THHN SIZE	QTY
1	#12	OFFICE RECEPALS	20	1200	0	1200	1	20	OFFICE RECEPALS	#12
3	#12	OFFICE RECEPALS	20	1200	0	1200	1	20	OFFICE RECEPALS	#12
5	#12	OFFICE RECEPALS	20	1200	0	1200	1	20	OFFICE RECEPALS	#12
7	#12	OFFICE RECEPALS	20	1200	0	1200	1	20	OFFICE RECEPALS	#12
9	#12	OFFICE RECEPALS	20	1200	0	1200	1	20	OFFICE RECEPALS	#12
11	#12	OFFICE RECEPALS	20	1200	0	1200	1	20	OFFICE RECEPALS	#12
13	#12	OFFICE RECEPALS	20	1200	0	1200	1	20	OFFICE RECEPALS	#12
15	#12	OFFICE RECEPALS	20	1200	0	1200	1	20	OFFICE RECEPALS	#12
17	#12	OFFICE RECEPALS	20	1200	0	1200	1	20	OFFICE RECEPALS	#12
19	#12	OFFICE RECEPALS	20	1200	0	1200	1	20	OFFICE RECEPALS	#12
21	#12	OFFICE RECEPALS	20	1200	0	1200	1	20	OFFICE RECEPALS	#12
23	#12	OFFICE RECEPALS	20	1200	0	1200	1	20	OFFICE RECEPALS	#12
25	#12	OFFICE RECEPALS	20	1200	0	1200	1	20	OFFICE RECEPALS	#12
27	#12	OFFICE RECEPALS	20	1200	0	1200	1	20	OFFICE RECEPALS	#12
29	#12	OFFICE RECEPALS	20	1200	0	1200	1	20	OFFICE RECEPALS	#12
				TOTAL CONNECTED LOAD VA				GRAND BUS		
				40k-11300		50k-8322		50k-40921		

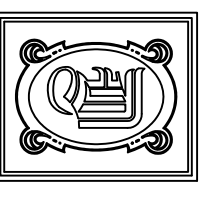
**ELECTRICAL NOTES**

- ALL WORK SHALL CONFORM TO THE LATEST EDITION OF THE NATIONAL ELECTRICAL CODE THE GOVERNING ELECTRICAL CODE AND ALL OTHER INSPECTION DEPARTMENTS HAVING JURISDICTION. OBTAIN CERTIFICATES OR APPROVAL WHERE REQUIRED.
- ALL MATERIALS FURNISHED SHALL BE NEW AND SHALL BE U.L. LISTED.
- THE DRAWINGS INDICATE SIZE AND GENERAL LOCATION OF WORK. SCALE DIMENSIONS SHALL NOT BE USED. THE EXACT LOCATION AND LOCATIONS OF ALL LIGHTING FIXTURES, RECEPTACLES AND TELEPHONE OUTLETS, ETC. SHALL BE DETERMINED BY ACTUAL CONDITIONS IN THE FIELD.
- PRIOR TO BIDDING, CONTRACTOR SHALL VISIT THE JOB SITE AND FAMILIARIZE THEMSELVES WITH THE EXISTING CONDITIONS.
- ELECTRICAL CONTRACTOR SHALL COORDINATE HIS WORK WITH OTHER TRADES AND WITH OTHER CONTRACTORS WHOSE WORK MAY AFFECT THIS INSTALLATION.
- ELECTRICAL CONTRACTOR SHALL COORDINATE INCOMING ELECTRICAL SERVICE WITH UTILITY COMPANY AND INCLUDE IN HIS BID ALL CHARGES AND FEES INCURRED IN MODIFICATIONS, WHERE MORE THAN ONE SWITCH OCCURS IN THE SAME LOCATION, THEY SHALL BE INSTALLED IN A GANG TYPE BOX UNDER ONE COVER PLATE.
- ELECTRICAL CONTRACTOR SHALL COORDINATE THE TELEPHONE INSTALLATION WITH THE TELEPHONE COMPANY AND THE GENERAL CONTRACTOR.
- ELECTRICAL CONTRACTOR, BEFORE INSTALLING ANY OF THE WORK, SHALL SEE THAT IT DOES NOT INTERFERE WITH CLEARANCES REQUIRED FOR FINISHED COLUMNS, HUNG CEILINGS, PARTITIONS, WALLS, ETC. AS SHOWN IN THE ARCHITECTURAL DRAWINGS AND DETAILS. IF ANY WORK IS INSTALLED AND IT LATER DEVELOPS THAT SUCH DETAILS OR DESIGN CANNOT BE FOLLOWED, THE CONTRACTOR, AT HIS OWN EXPENSE, SHALL MAKE SUCH CHANGES IN THE WORK AS DIRECTED BY THE ARCHITECT.
- PERFORM TESTS REQUIRED BY THE OWNER OR THE ENGINEER IN CONNECTION WITH THE OPERATION OF THE ELECTRICAL SYSTEM IN THE BUILDING.
- ALL TESTS SHALL BE MADE IN ACCORDANCE WITH THE LATEST STANDARD OF THE IEEE AND THE NATIONAL ELECTRICAL CODE.
- MINIMUM CONDUCTOR SIZE SHALL BE #12, 600V INSULATION. MINIMUM SIZE CONDUIT SHALL BE 3/4" RIGID ALUMINUM FOR EXTERIOR USE. USE TYPE MC CABLE COPPER OR CONDUIT AND WIRE FOR LIGHTS AND RECEPTACLE CIRCUITS. EXTERIOR FITTINGS SHALL BE CAST BOXES AND COVERS. INTERIOR FITTINGS SHALL BE CAST WHERE EXPOSED ON WALLS. STAMPED BOXES MAY BE USED ABOVE CEILINGS IN AIR CONDITIONED SPACES. MC MAY BE USED FOR LIGHTING WIRING.
- CONTRACTOR SHALL INSTALL WIRING AND OTHER CIRCUIT COMPONENTS TO MATCH EQUIPMENT ACTUALLY INSTALLED.
- INSTALL GROUND FAULT RECEPTACLES AT RECEPTACLE LOCATIONS WITHIN 5 FEET OF SINKS OR LAVATORIES, AND AT EXTERIOR LOCATIONS. EXTERIOR RECEPTACLES SHALL ALSO BE WATERPROOF.
- BONDING AND GROUNDING SHALL BE IN ACCORDANCE WITH NFPA 70:230-6-3, NFPA 250-23, 250-7-1 AND 250-7-2.
- GROUND NEUTRAL IN ACCORDANCE WITH NFPA 70:250-23b.
- RISERS SHALL BE ITT CLASS K5, 250 VOLT, 2000000 AMP INTERRUPTING CAP.
- PROVIDE SERVICES OF A FIRE SMOKE DETECTION AND ALARM COMPANY TO DESIGN AND INSTALL ALARM SYSTEM TO MEET REQUIREMENTS OF THE STATE FIRE MARSHAL.
- EXTERIOR LIGHTING SHALL BE SHADDED OR INWARDLY DIRECTED IN SUCH A MANNER THAT NO DIRECT LIGHTING OR GLARE IS CAST BEYOND THE PROPERTY LINE. THE INTENSITY OF SUCH LIGHTING SHALL NOT EXCEED ONE FOOT CANDLE AS MEASURED AT THE ADJUTING PROPERTY LINE.
- ALL ELECTRICAL, MECHANICAL AND PLUMBING PENETRATING FIRE PARTITIONS SHALL BE FIRE CALKED. (PENETRATIONS THROUGH RATED CONSTRUCTION SHALL BE SEALED WITH A MATERIAL CAPABLE OF PREVENTING THE PASSAGE OF FLAMES AND HOT GASES WHEN TESTED IN ACCORDANCE WITH ASTM-E8-14).
- CONTRACTOR SHALL BALANCE ALL PANELS.

ELECTRICAL LOAD SUMMARY					
LOAD SOURCE	10-kVA	30-kVA	OR	10-kW	30-kW
BUILDING LIGHTING	179.50	73.00			
ELECTRIC WATER HEATING					
HEAT PUMP					
SUPPLEMENTAL HEAT SYSTEM	35.580				
AIR CONDITIONING	4000.00				
ELECTRIC HEATING (PRIMARY)	1200				
COOKING	1000				
REFRIGERATION	2550.00				
RECEPTACLES (STANDARD)	30				
RECEPTACLES (EXCLUDE HVAC)					
TOTAL LOADS (INCLUDE HVAC)					
PARKING LOT / EXTERIOR LIGHTING					
WATER LANSOLS					
OTHER (SCHED)					



**BAPTISMAL CONTROL CIRCUIT**



**DAMMON ENGINEERING, INC.**  
 CHIEF ENGINEER  
 EMMETT DAMMON, P.E.  
 CHIEF ARCHITECT  
 ROBERT WILTSE  
 1095 FLORIDA AVENUE  
 SUDDLELL, LA, 70456  
 OFFICE: 985-649-5332  
 FAX: 985-641-5950  
 WWW.DAMMONENGINEERING.COM  
 VERSITE  
 EMAIL: DAMMONENG@BELL.SOUTH.NET

ARCHITECTURE  
 ENGINEERING  
 STUDIES  
 PLANNING  
 INVESTIGATION  
 EXPERT WITNESS  
 EL-BETHEL  
 PENTECOSTAL  
 CHURCH  
 REV. EUGENE  
 WELLINGTON  
 ALLEN ROAD  
 SUDDLELL, LA

**PANEL SCHEDULE**  
 REV: \_\_\_\_\_  
 SCALE: AS NOTED  
 JOB#: 1819A  
 DATE: 11-19-08  
 SHEET 17