

DAMMON
ENGINEERING, INC.

CHIEF ENGINEER
EMMETT
DAMMON, P.E.
CHIEF ARCHITECT
ROBERT
WILTSE

1095 FLORIDA AVENUE
SLIDELL, LA, 70436
OFFICE: 985-649-5332
FAX: 985-641-5950

WEBSITE:
WWW.DAMMONENGINEERING.COM
EMAIL:
DAMMONENG@BELL.SOUTH.NET

ARCHITECTURE
ENGINEERING
STUDIES
PLANNING
INVESTIGATION
EXPERT WITNESS

E-BETHEL
PENTECOSTAL
CHURCH

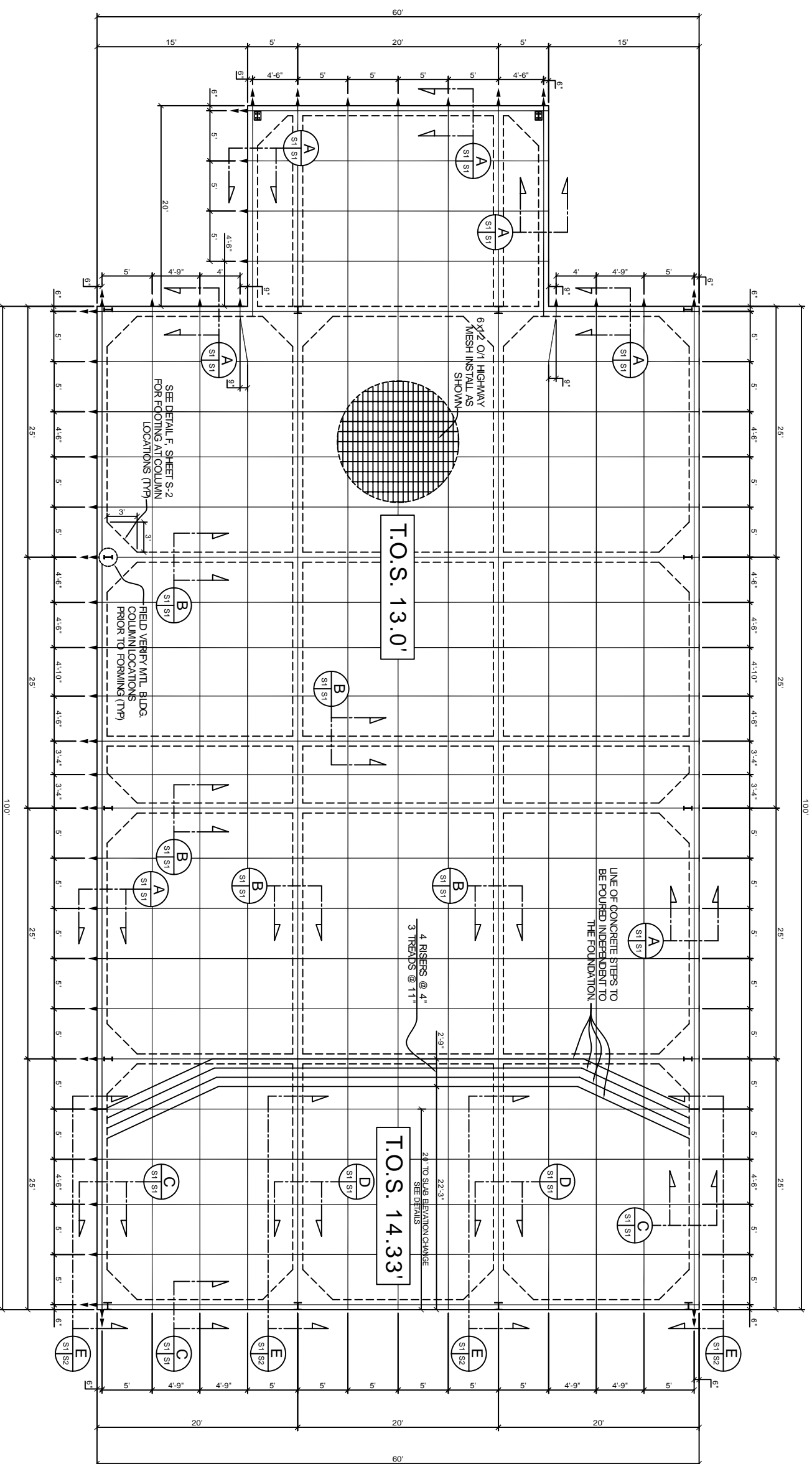
REV. EUGENE
WELLINGTON
ALLEN ROAD
SLIDELL, LA

FOUNDATION
PLAN

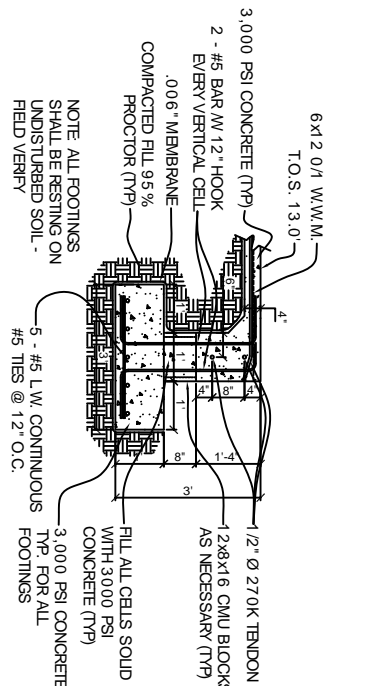
REV:	
SCALE:	AS NOTED
JOB#:	1819A
DATE:	11-19-08
SHEET:	8

S-1

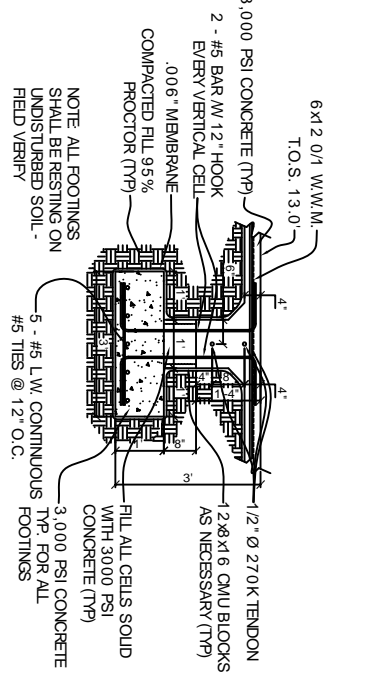
OF 20



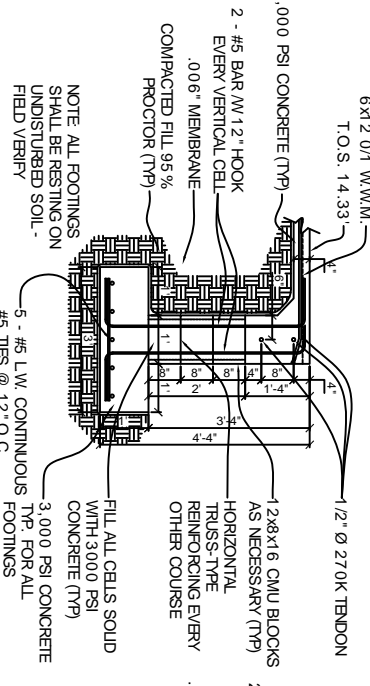
FOUNDATION PLAN
SCALE: 3/16" = 1'-0"



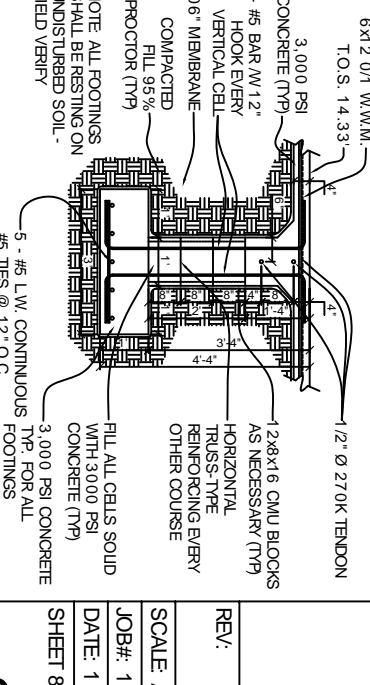
DETAIL A
SCALE: 3/4" = 1'-0"



DETAIL B
SCALE: 3/4" = 1'-0"



DETAIL C
SCALE: 3/4" = 1'-0"



DETAIL D
SCALE: 3/4" = 1'-0"