

LEGEND
 1 HR RATED - [Hatched Pattern]
 2 HR RATED - [Cross-hatched Pattern]

SMOKE & FIRE ALARM SYSTEM NOTES:
 CONTRACTOR TO EMPLOY A LICENSED SMOKE & FIRE ALARM SYSTEM COMPANY TO INSTALL A SYSTEM THAT INCLUDES A VOICE WARNING SYSTEM.

BOX AROUND COLUMN W/ METAL STUDS & 1/2" PLY WOOD BOARD & BRICK TO MATCH EXISTING BLDG. (TYP OF FOUR)

2 HR RATED WALL INTERIOR STAIR WALLS TYP. GA FILE #WP1521 SEE DETAIL SHIT. A-4

1 HR WALL 10' EA SIDE OF EXIT OPENING. TYPICAL EA. 2ND FLOOR EXIT - FROM GROUND TO 22' ABOVE GROUND. GA FILE # WP 9060 SEE DWG. A-5 FOR DETAIL

1 HR WALL 10' EA SIDE OF EXIT OPENING. TYPICAL EA. 2ND FLOOR EXIT - FROM GROUND TO 22' ABOVE GROUND. GA FILE # WP 9060 SEE DWG. A-5 FOR DETAIL

1 HR RATED WALL TYP. THIS ROOM GA FILE #WP1072 SEE DETAIL SHIT. A-4

FIRST FLOOR PLAN
 SCALE: 3/16" = 1'-0"

REVISED: 7-18-07
SCALE: AS NOTED
FILE:
JOB NO.: 1844
DATE: 6-4-07
SHEET 3
A-1
OF 28

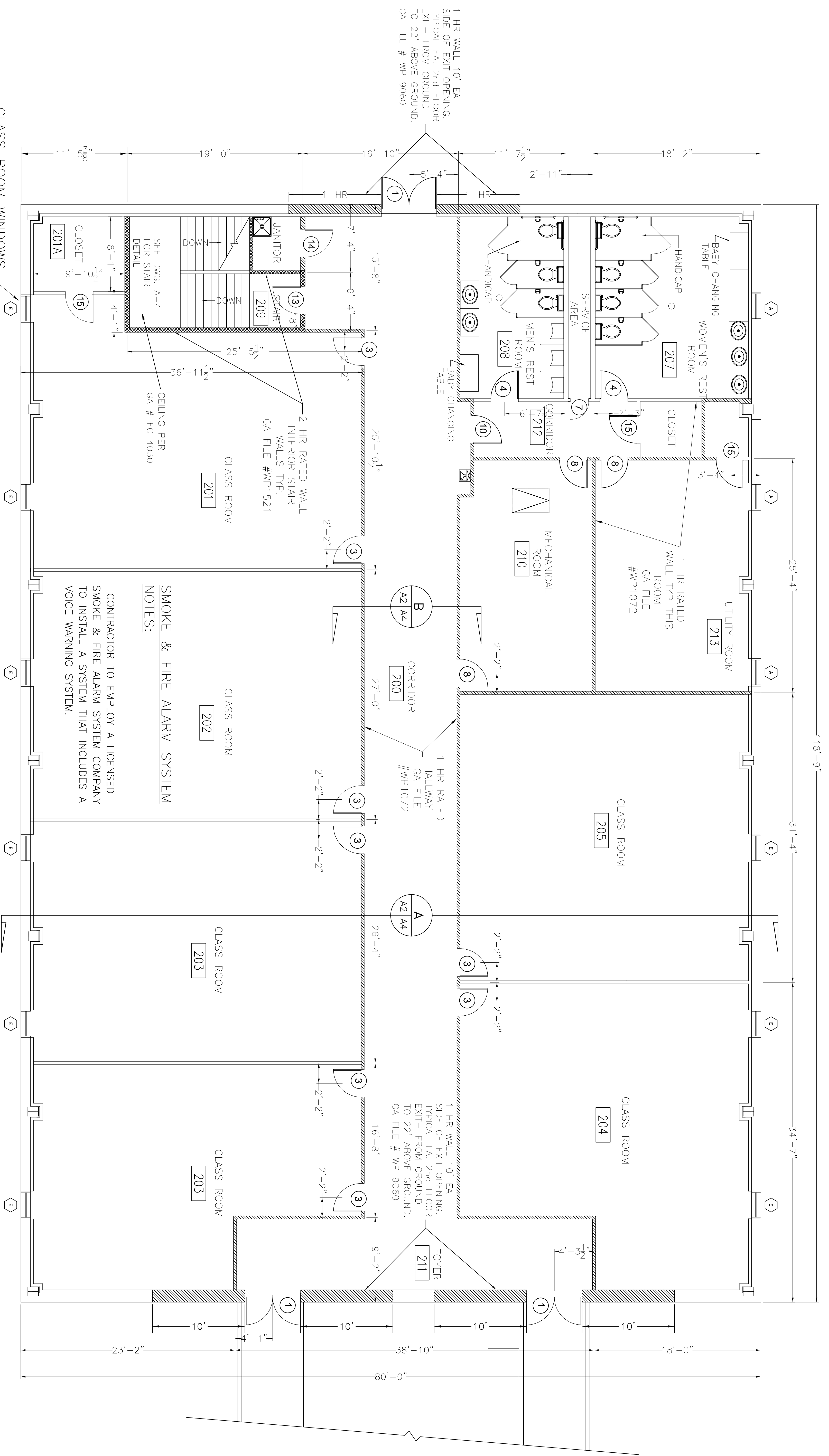
BEN'S FORD BAPTIST CHURCH

DAMMON ENGINEERING, INC.

1095 FLORIDA AVENUE 985-649-5832 SLIDELL, LA. 70458
 DAMMONENGINEERING.COM

FIRST FLOOR PLAN

BEN'S FORD BAPTIST CHURCH
 58521 HWY 439
 BOGALUSA, LA



CLASS ROOM WINDOWS
MUST BE OPERABLE

SECOND FLOOR PLAN
SCALE: 3/8" = 1'-0"

LEGEND
1 HR RATED - [Hatched Pattern]
2 HR RATED - [Cross-hatched Pattern]

SMOKE & FIRE ALARM SYSTEM
NOTES:
CONTRACTOR TO EMPLOY A LICENSED SMOKE & FIRE ALARM SYSTEM COMPANY TO INSTALL A SYSTEM THAT INCLUDES A VOICE WARNING SYSTEM.

GENERAL NOTES:

1. INSULATION AND INSULATION ASSEMBLIES SHALL MEET THE REQUIREMENTS OF SECTION 719, INTERNATIONAL BUILDING CODE, 2006.
 - A. CONCEALED INSULATION SHALL HAVE A FLAME SPREAD OF NOT MORE THAN 25 AND A SMOKE DEVELOPED INDEX OF NOT MORE THAN 450.
 - B. FACING SHALL COMPLY WITH IBC 719.2.1.
2. DIMENSIONS ARE TO CENTER LINE OR FACE OF STUDS, CENTER LINES OF COLUMNS.
3. CONTRACTOR TO VERIFY ALL SITE CONDITIONS AND ALL DIMENSIONS PRIOR TO CONSTRUCTION.
4. MATERIALS SHALL BE NEW AND U.L. LISTED.
5. NO WORK SHALL BE CONCEALED UNTIL APPROVED BY LOCAL INSPECTORS.
6. CONSTRUCTION SHALL COMPLY WITH ALL CITY, STATE AND LOCAL CODES.
7. CONTRACTOR TO GUARANTEE WORK FOR ONE YEAR.
8. CONTRACTOR SHALL FURNISH WATER AND POWER FROM EXISTING SOURCES.
9. PAINT GRADE TO BE SHERWIN-WILLIAMS OR EQUIVALENT. ALL WORK TO RECEIVE 2 COATS.
10. PROVIDE CLEANUP ON A REGULAR BASIS. NO TRASH STORED IN BUILDING.
11. METAL BUILDING MANUFACTURER SHALL SUBMIT WIND LOAD, LIVE LOAD & DEAD LOAD INFORMATION TO ENGINEER PRIOR TO FOUNDATION WORK BEING STARTED.

12. ALL BATT INSULATION SHALL HAVE A CLASS "A" (0-25) FLAME SPREAD IN COMPLIANCE WITH APPLICABLE CODE.
13. USE 6" STUDS AT ALL PLUMBING WALLS.
14. PROVIDE GALV. METAL PAN WITH DRAIN AT WATER HEATER LOCATION.
15. LOOKS ON DOORS IN MEANS OF EGRESS SHALL NOT REQUIRE THE USE OF A KEY (INTERIOR SIDE). SPECIAL DEVICE OR SPECIAL KNOWLEDGE TO OPEN IN THE DIRECTION OF EGRESS. ALL DOORS SHALL HAVE LEVER TYPE HANDLES.
16. INTERIOR WALLS AND CEILINGS SHALL HAVE A FLAME SPREAD OF 0-75 AND A SMOKE DEVELOPMENT RATING OF 0-450.
17. ALL WORK SHALL COMPLY WITH THE LATEST EDITION OF ALL LOCAL, STATE AND NATIONAL CODES THAT COVER THE SECTION OF WORK BEING PERFORMED.
18. PROVIDE PORTABLE FIRE EXTINGUISHERS IN ACCORDANCE WITH NFPA 10. SEE APPENDIX "E" OF NFPA 10 FOR DISTRIBUTION OF EXTINGUISHERS.
19. ALL FIRE PARTITIONS SHALL EXTEND TIGHT TO ROOF SHEATHING & SEALED WITH APPROVED FIRE CAULK. CONTRACTOR TO VERIFY.
20. ALL ELECTRICAL, MECHANICAL & PLUMBING PENETRATING FIRE PARTITIONS SHALL BE FIRE CAULKED. (PENETRATIONS THROUGH RATED CONSTRUCTION SHALL BE SEALED WITH A MATERIAL CAPABLE OF PREVENTING THE PASSAGE OF FLAMES AND HOT GASES WHEN TESTED IN ACCORDANCE WITH ASTM-E814.)

BEN'S FORD BAPTIST CHURCH

DAMMON ENGINEERING, INC.

1095 FLORIDA AVENUE 985-649-5832 SLIDELL, LA. 70458
DAMMONENGINEERING.COM

SECOND FLOOR PLAN

BEN'S FORD BAPTIST CHURCH
58521 HWY 439
BOGALUSA, LA

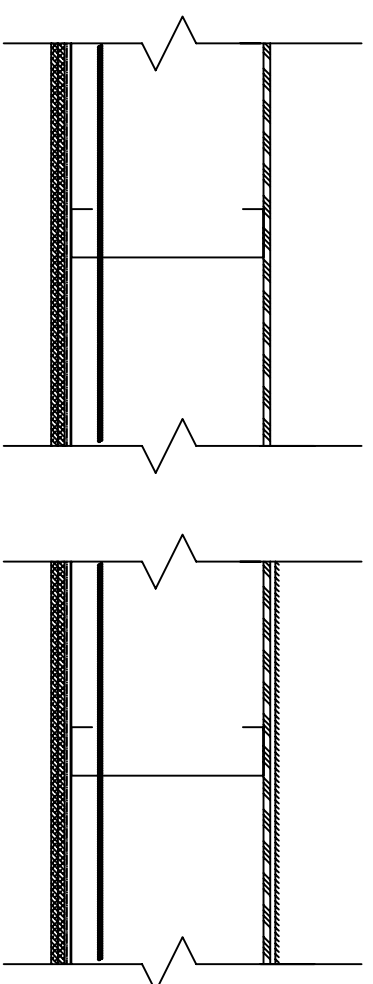
2nd FLOOR CORRIDOR CEILING

GA FILE NO. WP 4340 GENERIC

1 HOUR FIRE 50 TO 54 STC SOUND

BASE LAYER 1/2" TYPE X GYPSUM WALLBOARD APPLIED AT RIGHT ANGLES TO RESULTANT FURRING CHANNELS 1/8" O.C. WITH 1 1/4" TYPE S DRYWALL SCREWS 2" O.C. RESISTENT FURRING CHANNELS APPLIED AT RIGHT ANGLES TO CHANNEL SHEED MINIMUM 8" DEEP 1/8 GAGE GALVANIZED STEEL JOISTS 16" O.C. WITH 5/4" TYPE S-12 DRYWALL SCREWS. FACE LAYER 1/2" TYPE X GYPSUM WALLBOARD APPLIED AT RIGHT ANGLES TO CHANNELS WITH 1 5/8" TYPE S DRYWALL SCREWS 12" O.C. PLACED 1 1/2" BACK FROM EITHER SIDE OF END JOINTS. JOINTS OFFSET 24" FROM BASE LAYER IN JOINTS. 3 1/2" GLASS FIBER BATT INSULATION IN JOINT SPACE. FLOOR OF 5/8" T&G EDGE PLYWOOD APPLIED AT RIGHT ANGLES TO JOISTS WITH 1 1/4" NO. 10 BUGLE HEAD SCREWS PILOT TIP 6" O.C. AND END JOINTS 12" O.C. AT INTERMEDIATE JOISTS.

APPROX. WEIGHT: 4 PSF
 FIRE TEST: NRCC A-4219A, 4-29-98
 ASSEMBLY FT-23
 SOUND TEST: NRCC B-3163.2, 3-15-01



2nd FLOOR CORRIDOR, Rms 103, 210, 213 WALLS

GA FILE NO. WP 1072 GENERIC

1 HOUR FIRE 45 TO 49 STC SOUND

ONE LAYER 5/8" TYPE X GYPSUM WALLBOARD OR GYPSUM VENEER BASE APPLIED PARALLEL OR AT RIGHT ANGLES TO EACH SIDE OF 3-5/8" STEEL STUDS 24" O.C. WITH 1" TYPE S DRYWALL SCREWS 8" O.C. AT VERTICAL JOINTS AND 12" O.C. AT FLOOR AND CEILING RUNNERS AND INTERMEDIATE STUDS.



JOINTS STAGGERED 24" ON EACH SIDE AND ON OPPOSITE SIDES. SOUND TESTED WITH 3-12" GLASS FIBER FRICTION FIT IN STUD SPACE. (NON-LOAD BEARING)

THICKNESS: 4-7/8"
 APPROX. WEIGHT: 6 PSF SEE WP 1200
 FIRE TEST: (FM WP-45, OSU T-1770, 8-6-1; 791500, 791497, ULC 791484, 8-12-81, ULC DESIGN W415) NRCC 816-NV, 2-3-81
 SOUND TEST: NRCC 816-NV, 2-3-81

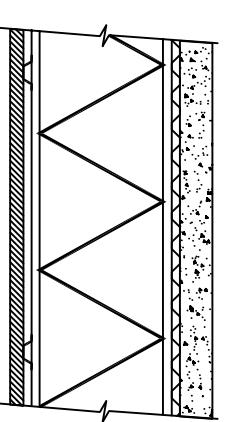
2nd FLOOR FLOOR

GA FILE NO. FC 2030

GENERIC

2 HOUR FIRE

STEEL JOISTS, CONCRETE SLAB, GYPSUM WALLBOARD ONE LAYER 1/2" TYPE X GYPSUM WALLBOARD OR GYPSUM VENEER BASE APPLIED AT RIGHT ANGLES TO RIGID FURRING CHANNELS 24" O.C. WITH 1" TYPE S DRYWALL SCREWS 12" O.C. GYPSUM BOARD END JOINTS LOCATED MIDWAY BETWEEN CONTINUOUS CHANNELS AND ATTACHED TO ADDITIONAL PIECES OF CHANNEL 54" LONG WITH SCREWS 12" O.C. FURRING CHANNELS ATTACHED WITH 18 GAGE WIRE TIES 48" O.C. TO OPEN WEB STEEL JOISTS 24" O.C. SUPPORTING 3/8" METAL LATH OR 9/16" DEEP 28 GAGE CORRUGATED STEEL AND 2-1/2" CONCRETE SLAB MEASURED FROM TOP OF FLUTE. FURRING CHANNELS MAY BE ATTACHED TO 1-1/2" COLD ROLLED CARRYING CHANNELS 48" O.C. (TWO HOUR RESTRAINED AND UNRESTRAINED) (SEE GA FILE NO. BM 3310)



APPROX. CEILING WEIGHT: 2 PSF
 FIRE TEST: ULC R3501-28, 2-7-64 ULC DESIGN G514
 ULC DESIGN 1511
 SOUND TEST: NGC 4075, 3-25-69

STAIRWELL INTERIOR WALLS

GA FILE NO. WP 1521

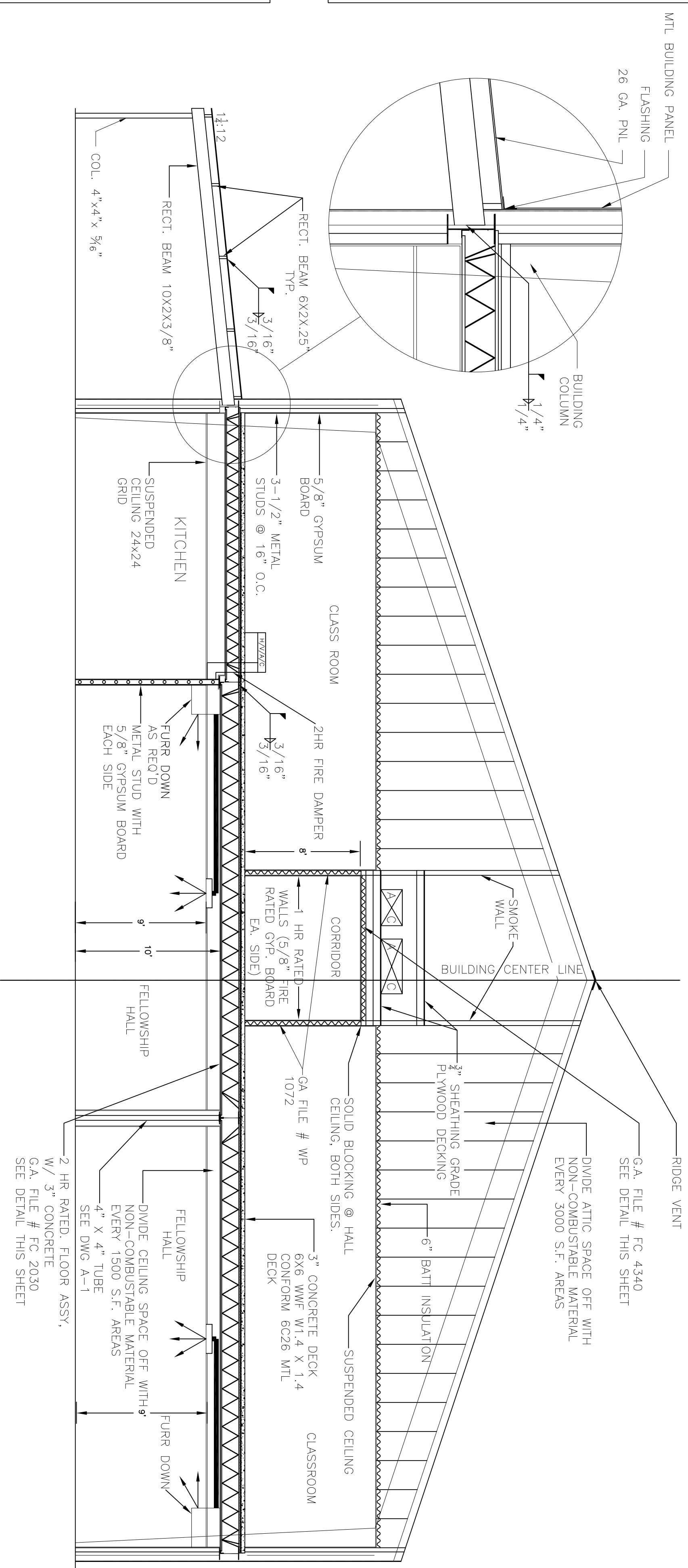
GENERIC

2 HOUR FIRE 55 TO 59 STC SOUND

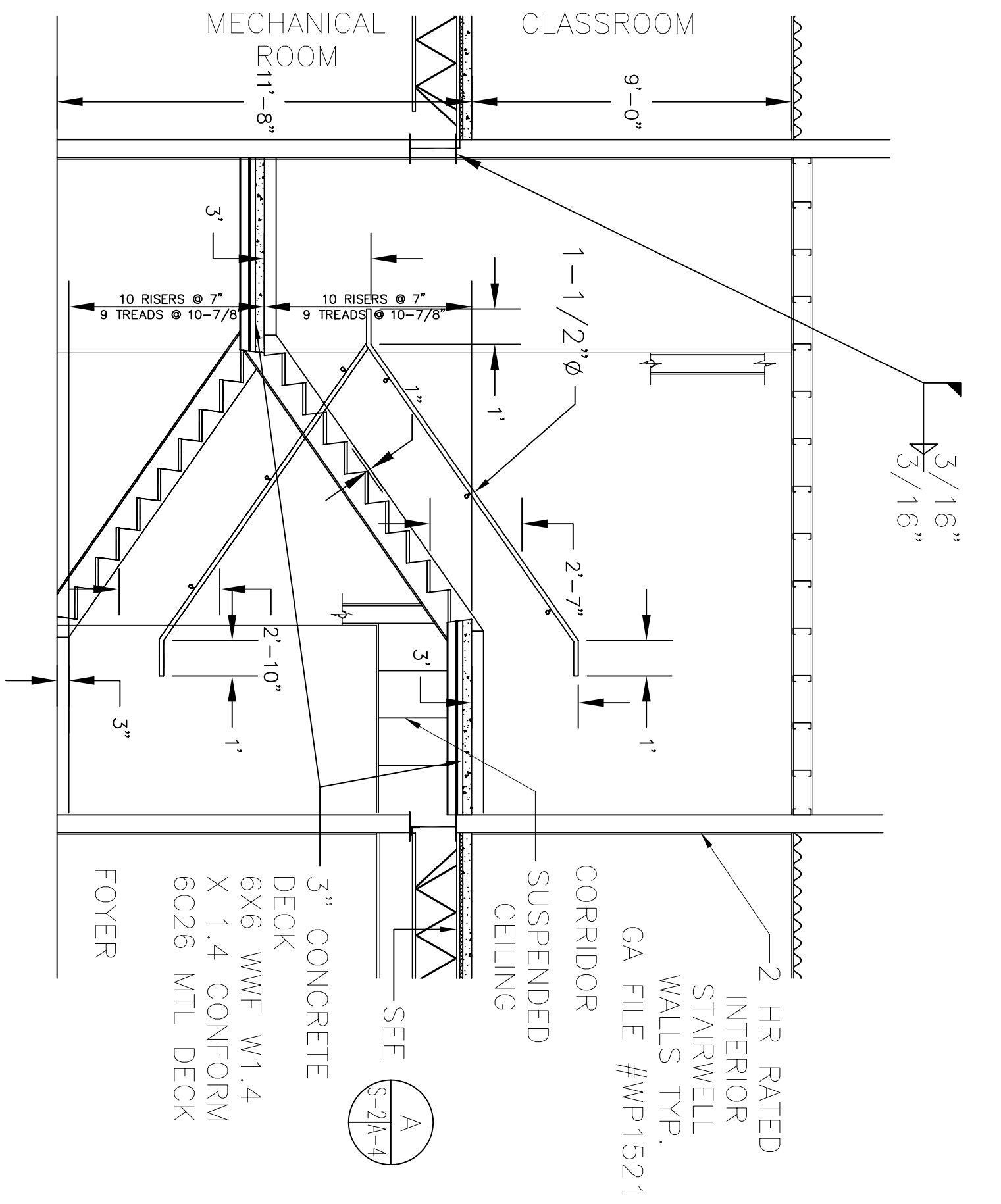
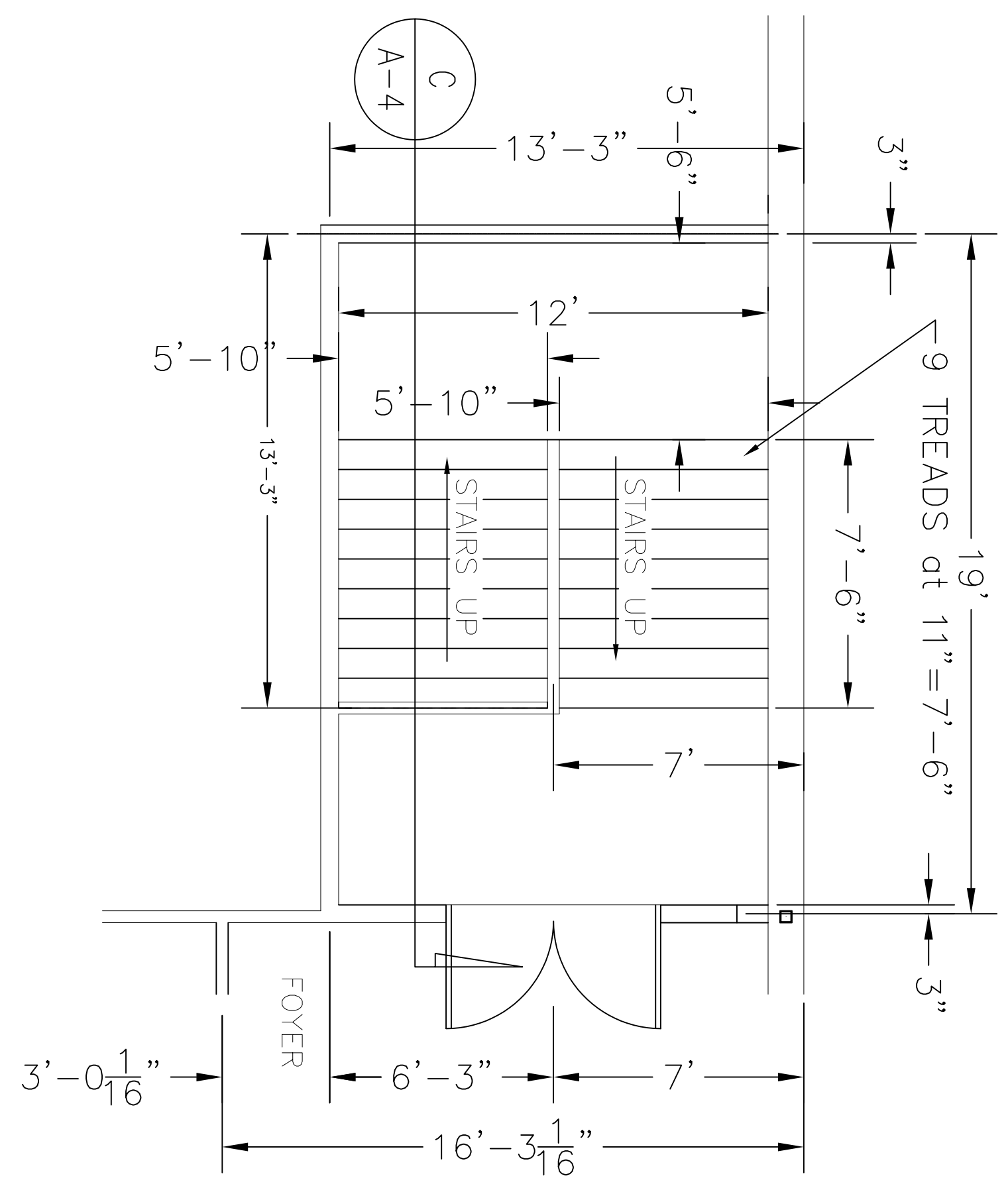
GYPSUM WALLBOARD, STEEL STUDS BASE LAYER 5/8" TYPE X GYPSUM WALLBOARD OR GYPSUM VENEER BASE APPLIED PARALLEL TO EACH SIDE OF 3 5/8" STEEL STUDS 24" O.C. WITH 1" TYPE S DRYWALL SCREWS 24" O.C. FACE LAYER 1/2" TYPE X GYPSUM WALLBOARD OR GYPSUM VENEER BASE APPLIED PARALLEL TO EACH SIDE WITH 1 5/8" TYPE S DRYWALL SCREWS 12" O.C.



THICKNESS: 5 5/8"
 LIMITING HEIGHT: REFER TO SECTION V
 APPROX. WEIGHT: 9 PSF
 FIRE TEST: SEE WP 1545 (ULC, 9-7-64, ULC 801499, 3-26-81 ULC DESIGN W414 NRCC 813-NV, 2-3-81) SOUND TEST: NRCC 813-NV, 2-3-81



SECTION A SCALE 3/8" = 1'-0"



BUILDING SECTIONS
 BEN'S FORD BAPTIST CHURCH
 58521 HWY 439
 BOGALUSA, LA

BEN'S FORD BAPTIST CHURCH
DAMMON ENGINEERING, INC.
 1095 FLORIDA AVENUE 985-649-5832 SLIDELL, LA. 70458
 DAMMONENGINEERING.COM

REVISED: 7-18-07
 SCALE: AS NOTED
 FILE: X 1.4 CONFORM
 JOB NO. 1844
 DATE: 6-4-07
 SHEET 6

OF 28
A-4

FINISH SCHEDULE

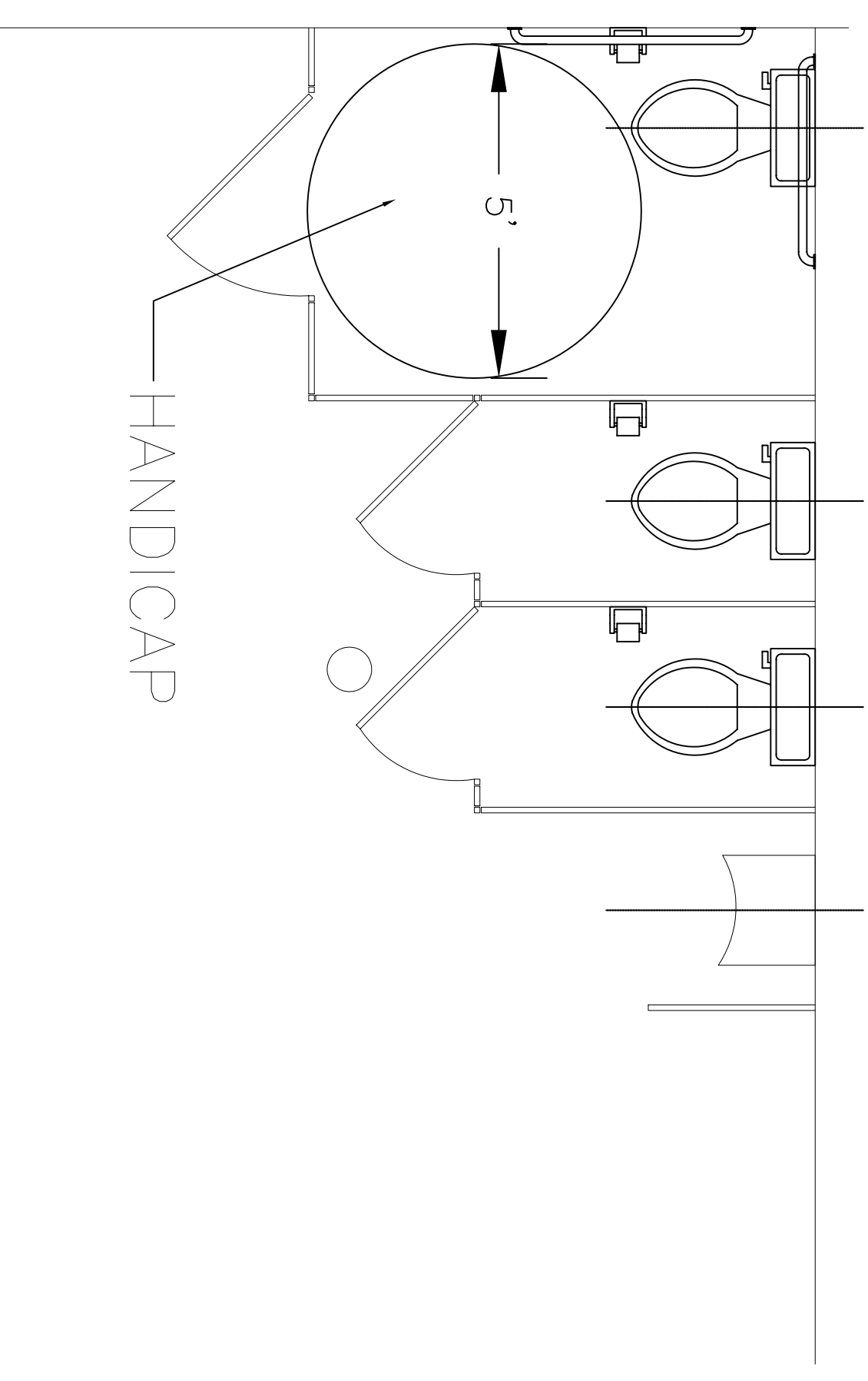
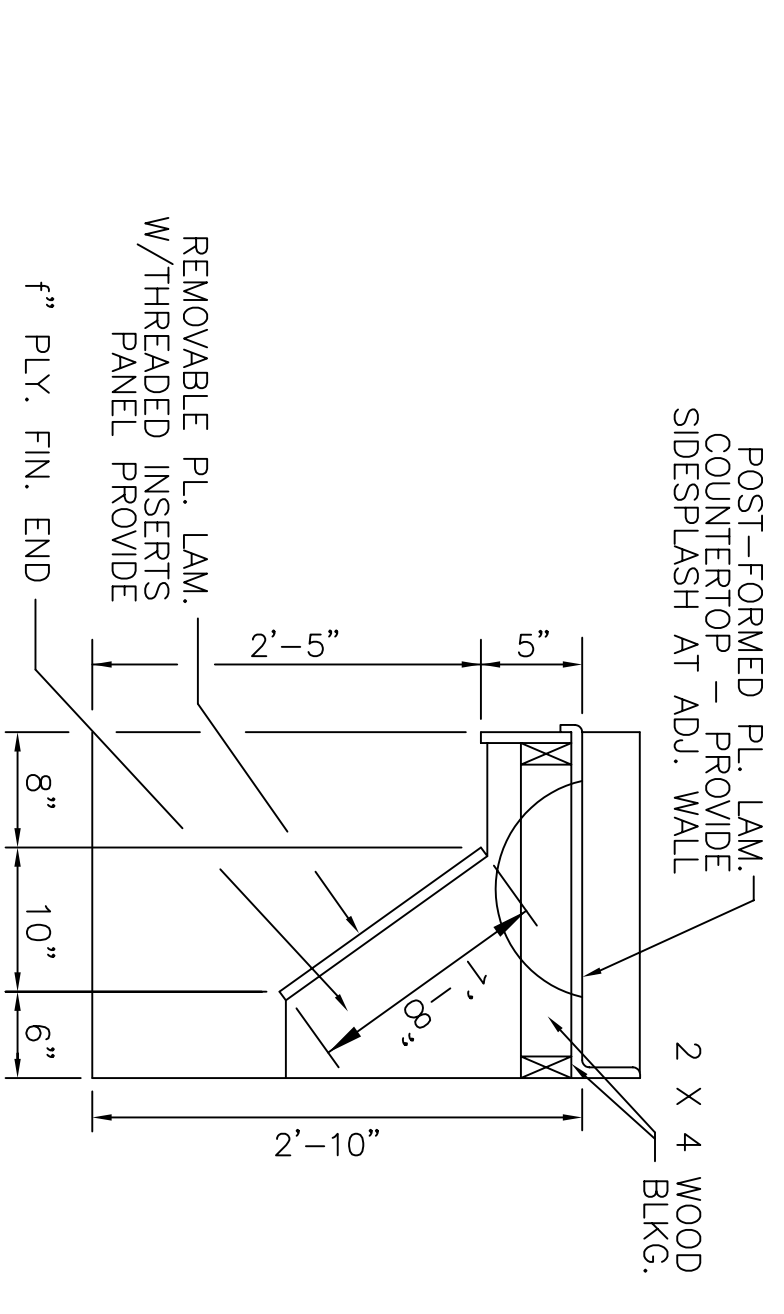
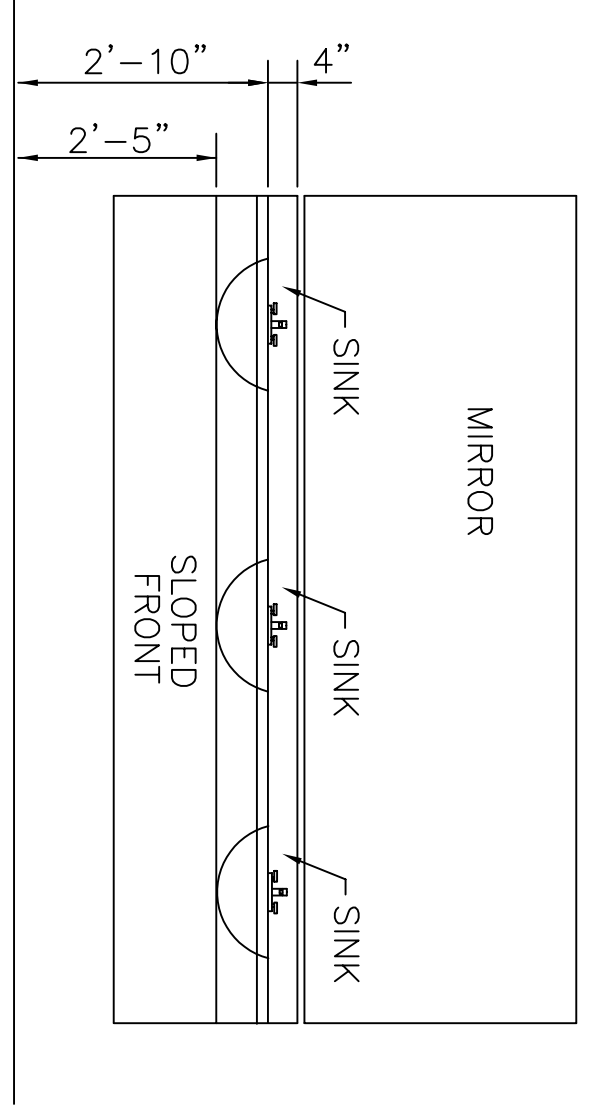
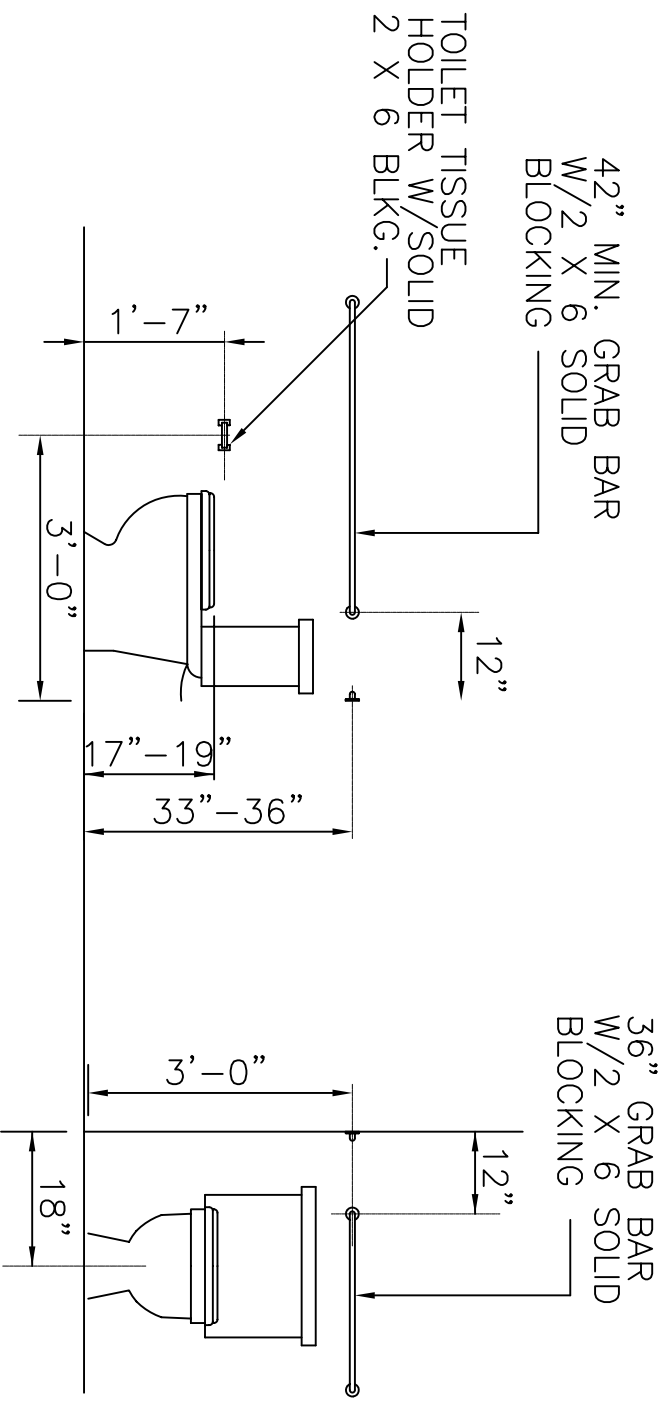
ROOM	FLOOR	BASE	WALLS	CEILING	REMARKS
FOYER	CARPET	RUBBER (4 WALLS)	GYP. BD	2 X 2 SUSP. ACOUS.	
MECHANICAL ROOM	CONCRETE (ST)	RUBBER (4 WALLS)	GYP. BD	GYP. BD. (PT)	PROVIDE PULL DOWN ATTIC ACCESS STAIR 2nd FLOOR
FELLOWSHIP ROOM	CARPET	RUBBER (4 WALLS)	GYP. BD	2 X 2 SUSP. ACOUS.	
UTILITY ROOM	VIN. TILE	RUBBER (4 WALLS)	GYP. BD	2 X 2 SUSP. ACOUS.	
KITCHEN	VIN. TILE	RUBBER (4 WALLS)	GYP. BD (VIN. WP.)	2 X 2 SUSP. ACOUS.	
SERVING ROOM	VIN. TILE	RUBBER (4 WALLS)	GYP. BD	2 X 2 SUSP. ACOUS.	
CORRIDOR	CARPET	RUBBER (4 WALLS)	GYP. BD	2 X 2 SUSP. ACOUS.	
WOMEN'S REST RM.	VIN. TILE	RUBBER (4 WALLS)	GYP. BD (VIN. WP.)	2 X 2 SUSP. ACOUS.	
MEN'S REST ROOM	VIN. TILE	RUBBER (4 WALLS)	GYP. BD (VIN. WP.)	2 X 2 SUSP. ACOUS.	
STAIR	VIN. TILE & TREADS	RUBBER (4 WALLS)	GYP. BD	2 X 2 SUSP. ACOUS.	
CLASS ROOM	CARPET	RUBBER (4 WALLS)	GYP. BD	2 X 2 SUSP. ACOUS.	

DOOR SCHEDULE

MARK	SIZE	DESCRIPTION	LOCATION
1	2-3/0 X 6/8	HOLLOW METAL DOORS W/ PRESSED STEEL FRAMES W/ 6X36 WIRE GLASS SLIT AUTO CLOSERS AND PANIC HDWR	REAR & SIDE ENTRANCE
2	3/0 X 6/8	HOLLOW METAL DOORS W/ PRESSED STEEL FRAMES W/ 6X36 WIRE GLASS SLIT AUTO CLOSERS AND PANIC HDWR	REAR ENTRANCE IN SERVING ROOM
3	3/0 X 6/8	SOLID CORE WOOD VENEER DOORS IN PRESSED STEEL FRAMES W/ 6X36 WIRE GLASS SLIT VISION PANEL AND LOCKSET HARDWARE (FROM OUTSIDE ONLY) 20 MIN RATED	KITCHEN, SERVING ROOM, CLASS ROOMS
4	3/0 X 6/8	SOLID CORE WOOD VENEER DOORS IN PRESSED STEEL FRAMES W/ LOCKSET HARDWARE (FROM OUTSIDE ONLY) 1HR RATED	MEN'S & WOMEN'S REST ROOMS (UNDERCUT REST ROOM DOORS 3/4")
5	2-3/0 X 6/8 W/ CENTER MULLION	SOLID CORE WOOD VENEER DOORS IN PRESSED STEEL FRAMES W/ 6X36 WIRE GLASS SLIT VISION PANEL AND LOCKSET HARDWARE (FROM OUTSIDE ONLY) 20 MIN RATED	KITCHEN TO CORRIDOR 106
6	3/0 X 6/8	CASED OPENING	ENTRANCE FOR 1st FLOOR REST ROOMS
7	2/0 X 6/8	HOLLOW CORE WOOD VENEER DOORS W/ WOOD FRAME AND LOCKSET HARDWARE (FROM OUTSIDE ONLY)	SERVICE AREA BETWEEN MEN'S & WOMEN'S REST ROOMS
8	3/0 X 6/8	METAL DOORS IN PRESSED STEEL FRAMES AND LOCKSET HARDWARE (FROM OUTSIDE ONLY) 45 MIN RATED SELF-CLOSING	MECHANICAL & UTILITY ROOMS
9	2-3/0 X 6/8	ALUM. FRAME W/ BRONZE FINISH W/ PANIC HDWR AND AUTO CLOSERS. (12" MATCHING SIDELITES EACH SIDE - GLASS TEMPERED SAFETY)	FRONT ENTRANCES
10	3/0 X 6/8	SOLID CORE WOOD VENEER DOORS IN PRESSED STEEL FRAMES W/ 6X36 WIRE GLASS SLIT VISION PANEL & MAGNETIC HOLD OPENS 20 MIN RATED	2nd FLOOR CORRIDOR 212
11	3/0 X 6/8	HOLLOW CORE WOOD VENEER DOORS W/ WOOD FRAME AND LOCKSET HARDWARE (FROM INSIDE ONLY)	KITCHEN REST ROOM (UNDERCUT REST ROOM DOOR 3/4")
12	3/0 X 6/8	SOLID CORE WOOD VENEER DOORS IN PRESSED STEEL FRAMES W/ FIRE DAMPER IN DOOR RETURN AIR LOUVER AND LOCKSET HARDWARE (FROM OUTSIDE ONLY) 45 MIN RATED	A/C CLOSETS
13	3/0 X 6/8	SOLID CORE WOOD VENEER DOORS IN PRESSED STEEL FRAMES W/ 6X36 WIRE GLASS SLIT VISION PANEL AND LOCKSET HARDWARE (FROM OUTSIDE ONLY) 90 MIN RATED	1st & 2nd FLOOR STAIR
14	3/0 X 6/8	SOLID CORE WOOD VENEER DOORS IN PRESSED STEEL FRAMES AND LOCKSET HARDWARE (FROM OUTSIDE ONLY)	JANITOR CLO.
15	3/0 X 6/8	SOLID CORE WOOD VENEER DOORS IN PRESSED STEEL FRAMES AND LOCKSET HARDWARE (FROM OUTSIDE ONLY)	CLOSET IN COR. 212 & CLOSET IN UTILITY ROOM

WINDOW SCHEDULE

MARK	SIZE	DESCRIPTION
A	3/0 X 6/0	W/ MILL ALUM. FINISH SINGLE HUNG. PROVIDED BY BLDG. MFR. INSULATED
B	3/0 X 4/0	SLIDING GLASS W/ LATCH (TEMPERED)
C	3/0 X 3/0	WIRE GLASS W/ STEEL FRAME FOR 1-HR RATED FIRE WALL (BY BLDG MFR)
D	3/0 X 3/0	OPERABLE W/ MILL ALUM. FINISH SINGLE HUNG PROVIDED BY BLDG. MFR. INSULATED.
E	3/0 X 6/0	OPENING MUST PROVIDE CLEAR OPENING OF NOT LESS THAN 20" WIDE x 41" HIGH. BOTTOM OF WINDOW OPENING MUST NOT BE MORE THAN 44" AFF.



EXTERIOR WALLS AROUND DOORS

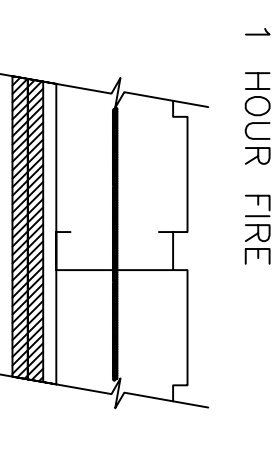
GA FILE NO. WP 9060 GENERIC

GYPSUM WALLBOARD, STEEL FURRING CHANNELS, STEEL PANELS, GLASS FIBER INSULATION

Steel furring channels 24" o.c. attached at right angles to legs of exterior panels with 1" Type S drywall screws @ 16" o.c.

EXTERIOR SIDE: Exterior panels consist of fluted steel wall panels, 24 gage steel, 16" wide, having J shaped 3" deep legs which interlock along vertical edges. 3" glass fiber insulation 1.0 pcf friction fit in panel cavity.

INTERIOR SIDE: Base layer 5/8" type X gypsum wallboard or gypsum veneer base attached with 1" type S drywall screws 12" o.c. at right angles to steel furring channels. Face layer 5/8" type X gypsum wallboard or gypsum veneer base laminated at right angles to furring channels and attached with 1 7/8" Type S drywall screws 12" o.c. at top and bottom edges. Alternately, base layer applied with 1" type S drywall screws 24" o.c. at vertical joints and face layer applied with 1 7/8" type S drywall screws 12" o.c. Face layer joints offset 16" from base layer joints. (NLSB)



THICKNESS: APPROX. WEIGHT: 4-5/8" 7 PSF
 FIRE TEST: FM WP 155-1, 1-31-69; FM WP 167-1, 9-18-69

SCHEDULES & DETAILS

BEN'S FORD BAPTIST CHURCH
 58521 HWY 439
 BOGALUSA, LA

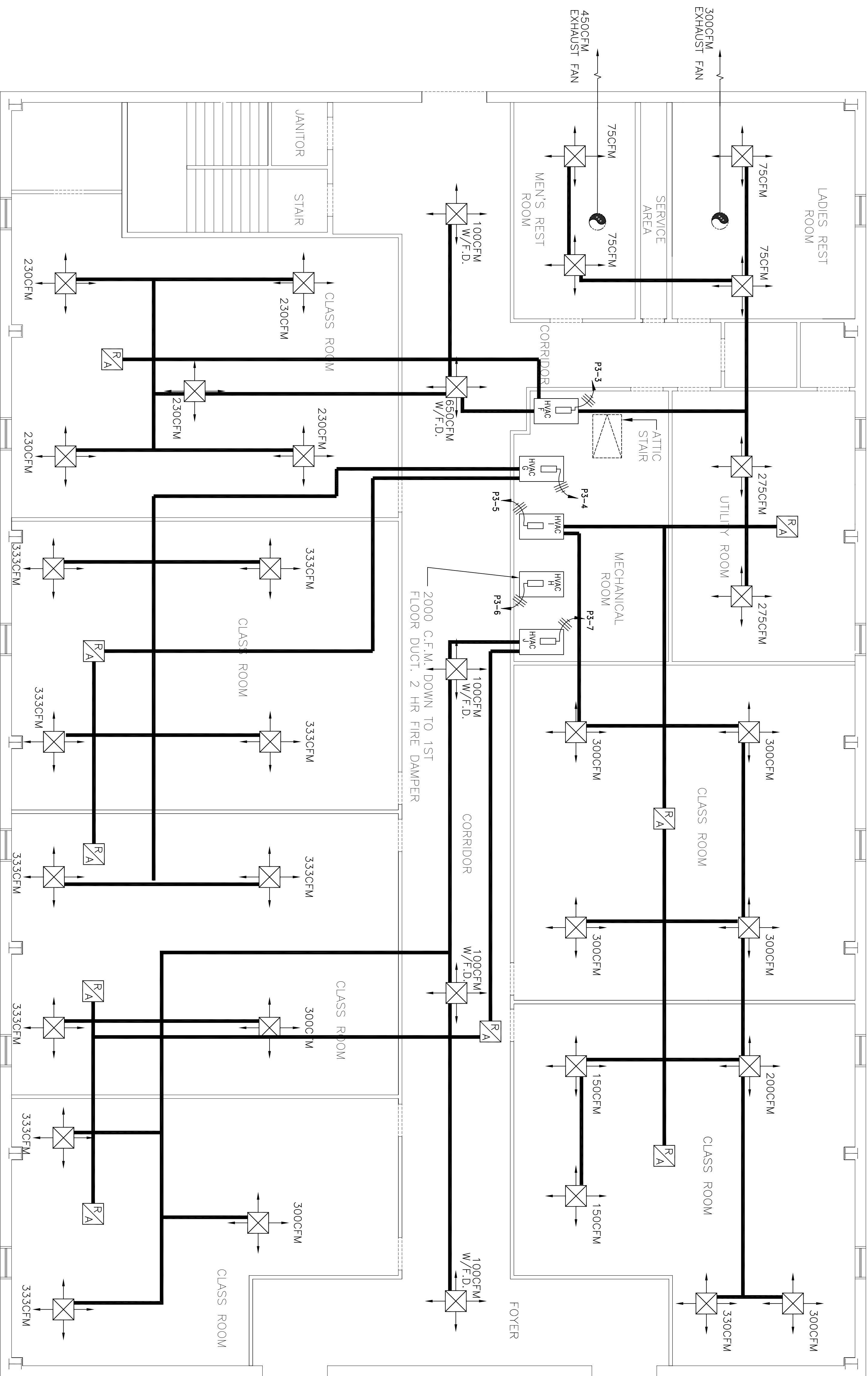
BEN'S FORD BAPTIST CHURCH

DAMMON ENGINEERING, INC.

1095 FLORIDA AVENUE 985-649-5832 SLIDELL, LA. 70458
 DAMMONENGINEERING.COM

REVISED: 7-18-07
 SCALE: AS NOTED
 FILE:
 JOB NO. 1844
 DATE: 6-4-07

SHEET 7
A-5
 OF 28



HVAC - 2nd FLOOR PLAN
SCALE: 3/16" = 1'-0"

HVAC - 2nd FLOOR PLAN

BEN'S FORD BAPTIST CHURCH
58521 HWY 439
BOGALUSA, LA

BEN'S FORD BAPTIST CHURCH

DAMMON ENGINEERING, INC.

1095 FLORIDA AVENUE 985-649-5832 SLIDELL, LA. 70458
DAMMONENGINEERING.COM

REVISED: 7-18-07
SCALE: AS NOTED

FILE:

JOB NO.: 1844

DATE: 6-4-07

SHEET 20

M-2

OF 28