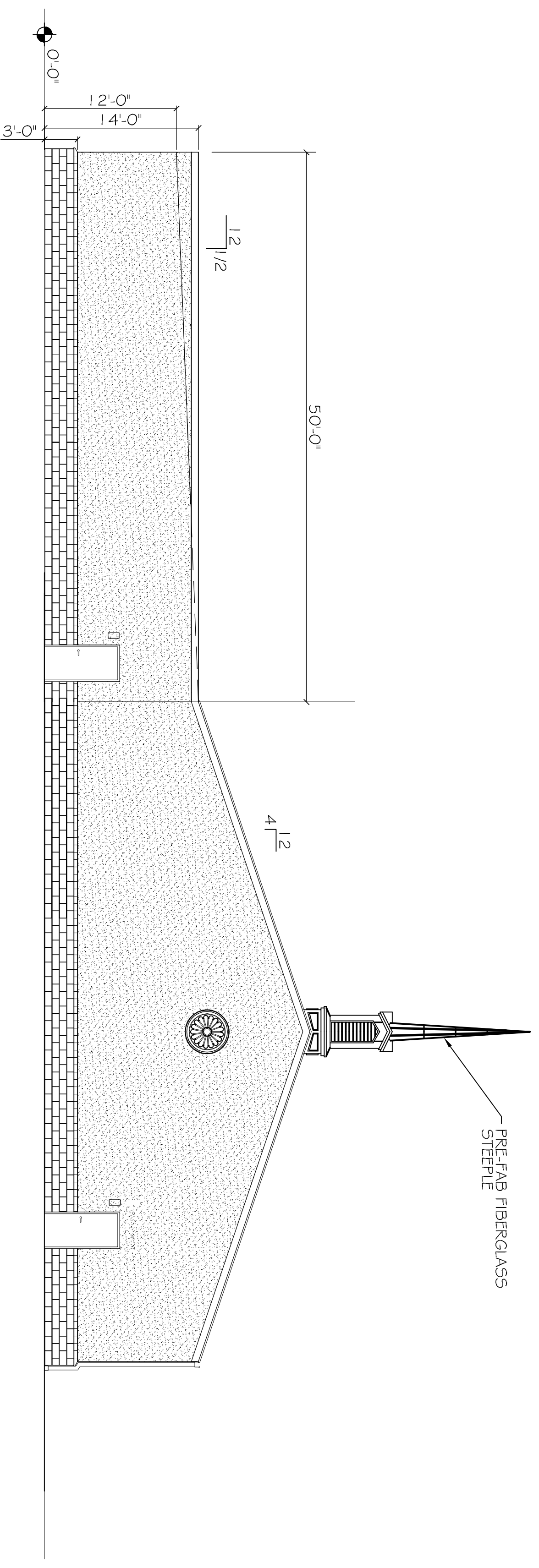
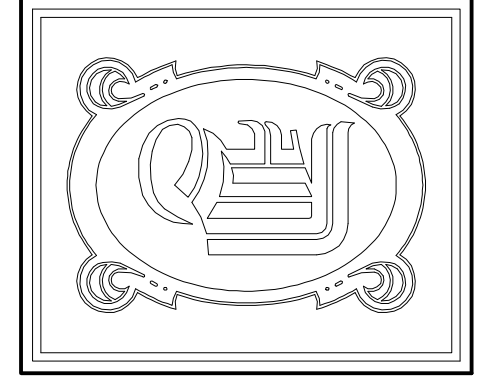


EXISTING FRONT - EAST ELEVATION
SCALE: 1/8" = 1'

NEW FRONT - EAST ELEVATION
SCALE: 1/8" = 1'



REAR - WEST ELEVATION
SCALE: 1/8" = 1'



DAMMON
ENGINEERING, INC.

CHIEF ENGINEER
EMMETT
DAMMON, P.E.

CHIEF ARCHITECT
ROBERT
WILTSE

1095 FLORIDA AVENUE
SLIDELL, LA, 70458
OFFICE: 985-649-5832
FAX: 985-641-5950

WEBSITE:
WWW.DAMMONENGINEERING.COM
EMAIL:
DAMMONENG@BELL.SOUTH.NET

ARCHITECTURE
ENGINEERING
STUDIES
PLANNING
INVESTIGATION
EXPERT WITNESS

NEW
FELLOWSHIP
HALL

TABERNACLE
BAPTIST CHURCH
2445 FOURTH ST.
SLIDELL, LA

CHURCH
ELEVATIONS

REV:

SCALE: AS NOTED

JOB#:

DATE: 12-20-11

SHEET

A-2

OF