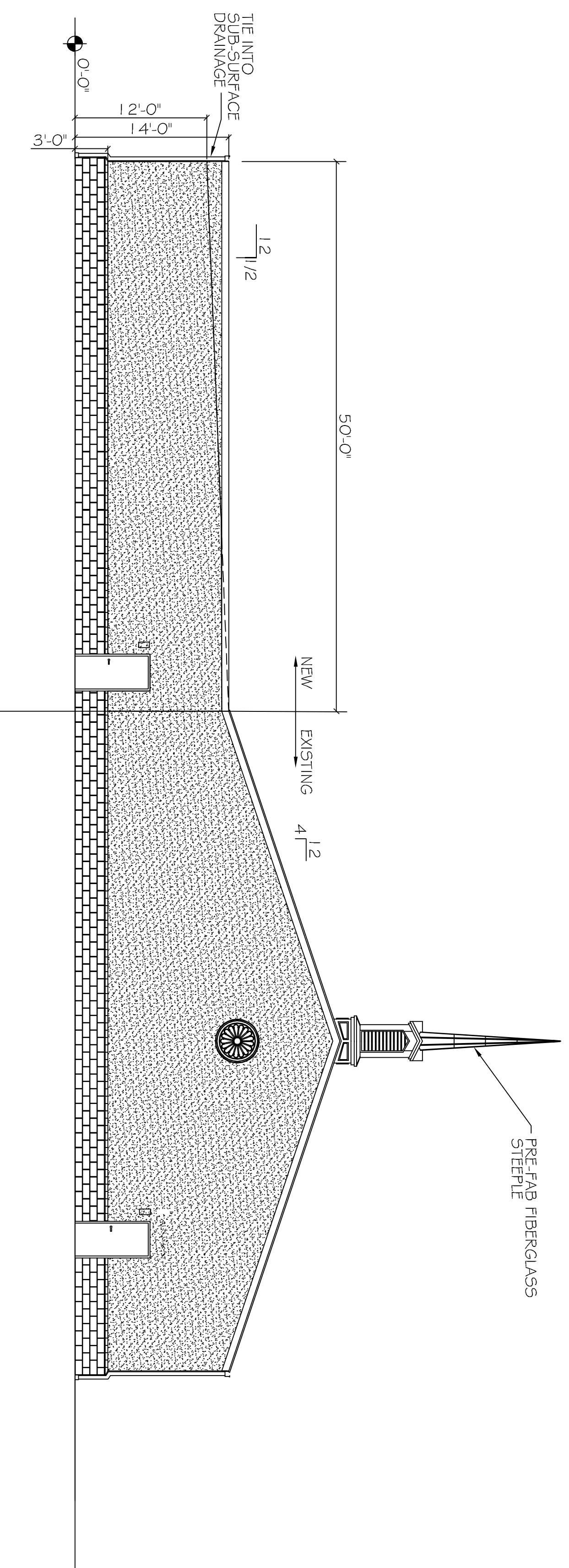


EXISTING FRONT-EAST ELEVATION  
SCALE: 1/8" = 1'

NEW FRONT-EAST ELEVATION  
SCALE: 1/8" = 1'



REAR-WEST ELEVATION  
SCALE: 1/8" = 1'

REVISIONS		
#	DESCRIPTION	DATE

**TABERNALE BAPTIST CHURCH  
NEW FELLOWSHIP HALL**  
2445 FOURTH STREET  
SLIDELL, LA 70458

JOB No: 2171      DATE: 04-30-2013  
DRAWN BY: JCT      CHECKED BY: CD

**DAMMON  
ENGINEERING, INC.**  
*Architects & Engineers*

CHIEF ENGINEER, EMMETT DAMMON, P.E.  
CHIEF ARCHITECT, KEVIN KINCHEN  
554 OLD SPANISH TRAIL  
SLIDELL, LA 70458

dammoneengineering.com  
dammoneg@bellsouth.net  
PHONE: 985-649-5832  
FAX: 985-641-5950

EXTERIOR  
ELEVATIONS

SHEET No: 8 OF 13

A2