

PANEL: MDP-1
LOCATION: TABERNACLE BAPTIST CHURCH ELECTRICAL CLOSET
FEEDER SOURCE: CLECO

VOLTAGE: 120/240V, 400A 1Ø, 3W, WITH MAIN BRKR.
SURFACE MOUNTED W/EQUIPMENT GND BAR

CKT. NO.	THHN WIRE SIZE	LOAD DESCRIPTION		BREAKER		LOAD (VA)		LOAD (VA)		LOAD DESCRIPTION		THHN WIRE SIZE	CKT. NO.
		LOCATION	AMP	POLE	POLE	AMP	POLE	AMP	LOCATION				
1	#2	LP-1	100	2	8548		5000	2	60	AHU #1	#6	2	
3	#6	AHU #1	30	2	8396		5000	2	60	AHU #2	#6	4	
5	#6	AHU #1	30	2	2500		5000	2	60	AHU #2	#6	6	
7	#6	AHU #2	30	2	2500		5000	2	60	AHU #3	#6	8	
9	#6	AHU #2	30	2	2500		5000	2	60	AHU #3	#6	10	
11	#6	AHU #3	30	2	2500		5000	2	60	AHU #4	#6	12	
13	#6	AHU #3	30	2	2500		5000	2	60	AHU #4	#6	14	
15	#6	AHU #3	30	2	2500		5000	2	60	AHU #4	#6	16	
17	#6	AHU #4	30	2	2500		7200	2	60	A/C COMPRESSOR #1	#8	18	
19	#6	AHU #4	30	2	2500		7200	2	60	A/C COMPRESSOR #1	#8	20	
21	#8	A/C COMPRESSOR #2	60	2	7200		7200	2	60	A/C COMPRESSOR #3	#8	22	
23	#8	A/C COMPRESSOR #2	60	2	7200		7200	2	60	A/C COMPRESSOR #3	#8	24	
25	#8	A/C COMPRESSOR #4	60	2	7200		2400	2	20	WATER HEATER	#12	26	
27	#8	A/C COMPRESSOR #4	60	2	7200		2400	2	20	WATER HEATER	#12	28	
29	#12	WOMENS RESTROOM 101 & JANITOR'S CLOSET	20	1	320		1120	1	20	WOMENS 101, MENS 102, LIGHTS BOOTH 104, SANCTUARY 105, & HVAC DECKS' RECEPTACLES	#12	30	
31	#12	FOYER 100 RECEPTACLES	20	1	640		1120	1	20	SANCTUARY 105 RECEPTACLES	#12	32	
33	#12	SANCTUARY 105 RECEPTACLES	20	1	1120		160	1	20	PULPIT/CHOIR AREA FLOOR RECEPTACLE	#12	34	
35	#12	PULPIT/DRUMS AREA RECEPTACLES	20	1	320		320	1	20	PULPIT/PIANO/ORGAN AREA RECEPTACLES	#12	36	
37	#8	WATER HEATER	30	2	3600		-	1	20	SPARE	#12	38	
39	#8	WATER HEATER	30	2	3600		-	1	20	SPARE	#12	40	
41	#12	SPARE	20	1	-		-	1	20	SPARE	#12	42	

TOTAL CONNECTED LOAD (VA)=151,664
AØ=76,068 BØ=75,596

SOLID NEUTRAL NEUTRAL WIRE (W) GROUND BUS GROUND WIRE (G)

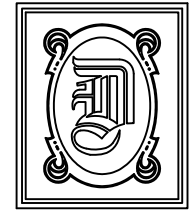
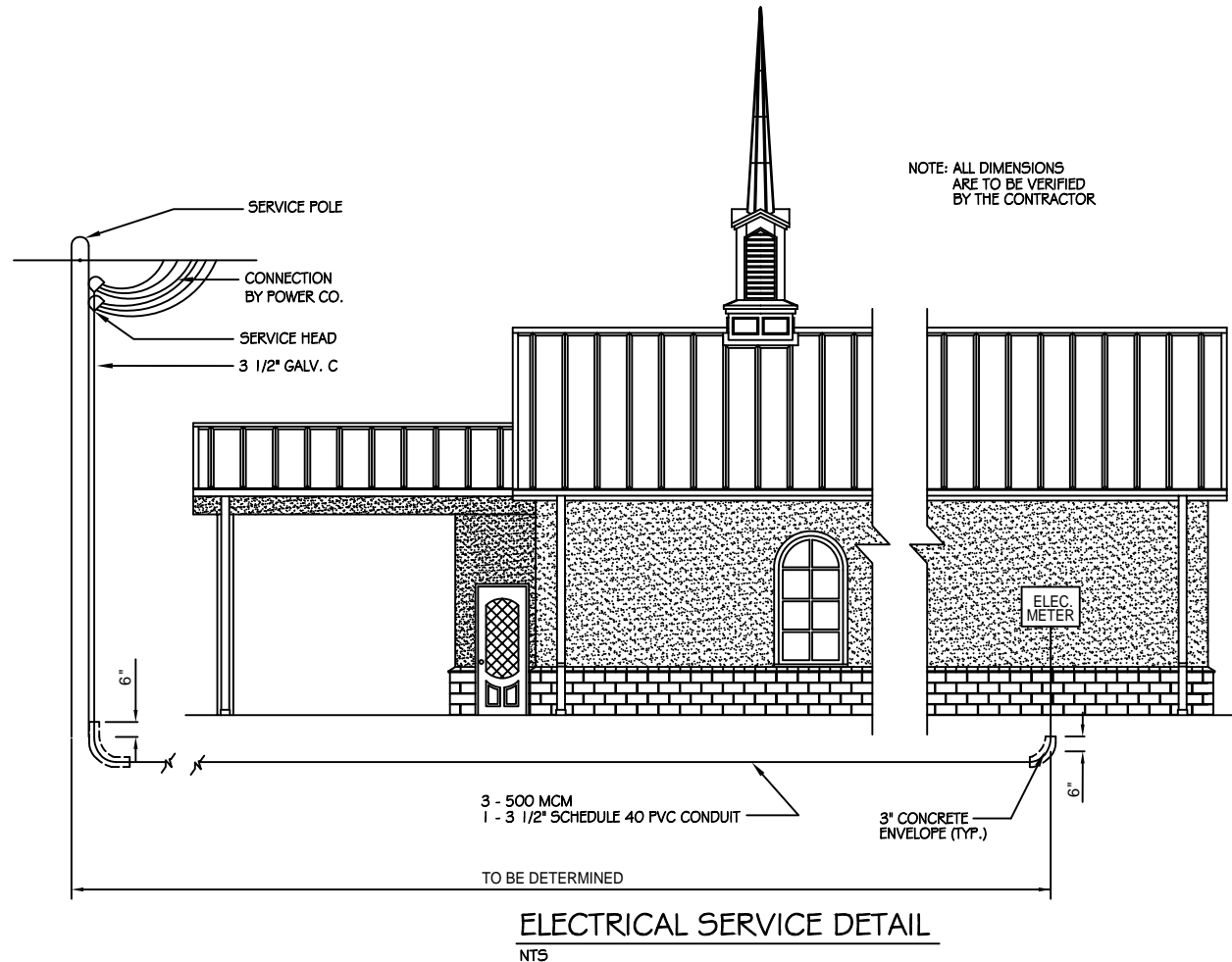
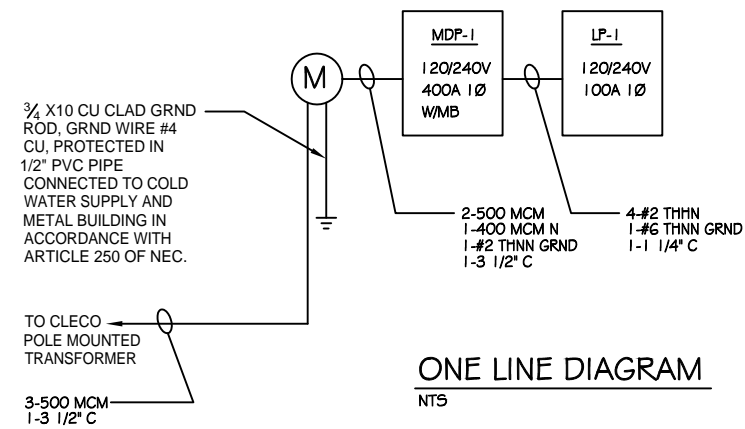
PANEL: LP-1
LOCATION: TABERNACLE BAPTIST CHURCH ELECTRICAL CLOSET
FEEDER SOURCE: CLECO

VOLTAGE: 120/240V, 100A 1Ø, 3W, MLO
SURFACE MOUNTED W/EQUIPMENT GND BAR

CKT. NO.	THHN WIRE SIZE	LOAD DESCRIPTION		BREAKER		LOAD (VA)		LOAD (VA)		LOAD DESCRIPTION		THHN WIRE SIZE	CKT. NO.
		LOCATION	AMP	POLE	POLE	AMP	POLE	AMP	LOCATION				
1	#12	CORRIDOR 110, WOMENS DRESSING 111, ALCOVE 107, & HVAC DECK RECEPTACLES	20	1	960		480	1	20	WOMENS 112 & KITCHENETTE 113 GFI RECEPTACLES	#12	2	
3	#12	REFRIGERATOR RECEPTACLE	20	1	160		800	1	20	MENS DRESSING 114, ALCOVE 108, & HVAC DECK RECEPTACLES	#12	4	
5	#12	MENS RESTROOM 115 GFI RECEPTACLE	20	1	160		960	1	20	EXTERIOR WEATHERPROOF GFI RECEPTACLES	#12	6	
7	#12	FOYER 100 LIGHTS	20	1	384		456	1	20	WOMENS RESTROOM 101 & JANITORS CLOSET 103 LIGHTS, LIGHT ABOVE DECK	#12	8	
9	#12	MENS RESTROOM 102 & SOUND/LIGHT BOOTH 104 LIGHTS, LIGHT ABOVE DECK	20	1	446		1200	1	20	DIRECTIONAL STAGE TRACK LIGHTS	#12	10	
11	#12	SANCTUARY 105 LIGHTS	20	1	1350		1350	1	20	SANCTUARY 105 LIGHTS	#12	12	
13	#12	SANCTUARY 105 LIGHTS	20	1	1350		1350	1	20	SANCTUARY 105 LIGHTS	#12	14	
15	#12	SANCTUARY LIGHTS AT PULPIT 106 AND STAGE AREAS	20	1	900		900	1	20	SANCTUARY LIGHTS AT PULPIT 106 AND STAGE AREAS	#12	16	
17	#12	SANCTUARY LIGHTS AT CHOIR STAGE AREA	20	1	540		540	1	20	SANCTUARY LIGHTS OVER BAPTISTRY 109	#12	18	
19	#12	ROOMS NUMBER 110, 111, 112, 113, 114, 115, & 116 LIGHTS	20	1	1300		720	1	20	EXTERIOR COVERED DROPOFF CAN LIGHTS	#12	20	
21	#12	EXTERIOR WALL-MOUNTED FIXTURE LIGHTS AT DOOR EXITS/ENTRIES	20	1	500		34	1	20	EXIT AND EMERGENCY LIGHTS	#12	22	
23	#12	EMERGENCY/EXIT LIGHT COMBO UNITS	20	1	48		-	1	20	SPARE	#12	24	
25	#12	SPARE	20	1	-		-	1	20	SPARE	#12	26	
27	#12	SPARE	20	1	-		-	1	20	SPARE	#12	28	
29	#12	SPARE	20	1	-		-	1	20	SPARE	#12	30	
31	-	SPACE	-	-	-		-	-	-	SPACE	-	32	
33	-	SPACE	-	-	-		-	-	-	SPACE	-	34	
35	-	SPACE	-	-	-		-	-	-	SPACE	-	36	
37	-	SPACE	-	-	-		-	-	-	SPACE	-	38	
39	-	SPACE	-	-	-		-	-	-	SPACE	-	40	
41	-	SPACE	-	-	-		-	-	-	SPACE	-	42	

TOTAL CONNECTED LOAD (VA)= 16,944
AØ=8,548 BØ=8,396

SOLID NEUTRAL NEUTRAL WIRE (W) GROUND BUS GROUND WIRE (G)



DAMMON
ENGINEERING, INC.

CHIEF ENGINEER
EMMETT
DAMMON, P.E.

CHIEF ARCHITECT
ROBERT
WILTSE

1095 FLORIDA AVENUE
SLIDELL, LA. 70458
OFFICE: 985-649-5832
FAX: 985-641-5950

WEBSITE:
WWW.DAMMONENGINEERING.COM

EMAIL:
DAMMONENG@BELLSOUTH.NET

- ARCHITECTURE
- ENGINEERING
- STUDIES
- PLANNING
- INVESTIGATION
- EXPERT WITNESS

NEW
CHURCH

TABERNACLE
BAPTIST
CHURCH
2445 FOURTH AVE.
SLIDELL, LA

ELECTRICAL
SCHEDULES
& ONE-LINE
DIAGRAM

REV:

SCALE: AS NOTED

JOB#: 2050

DATE: 2-8-10

SHEET 24

E-3