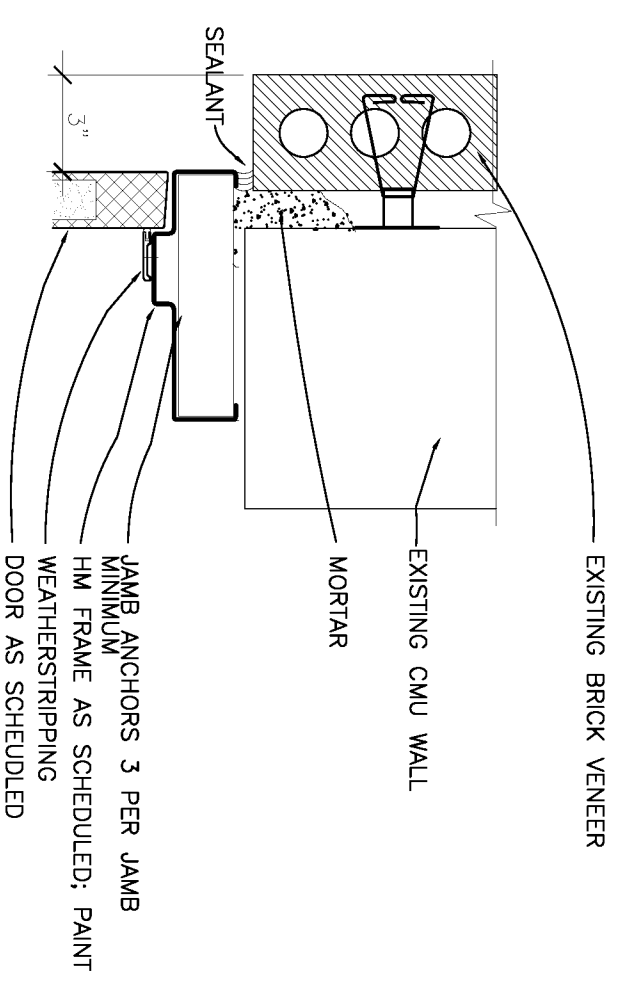
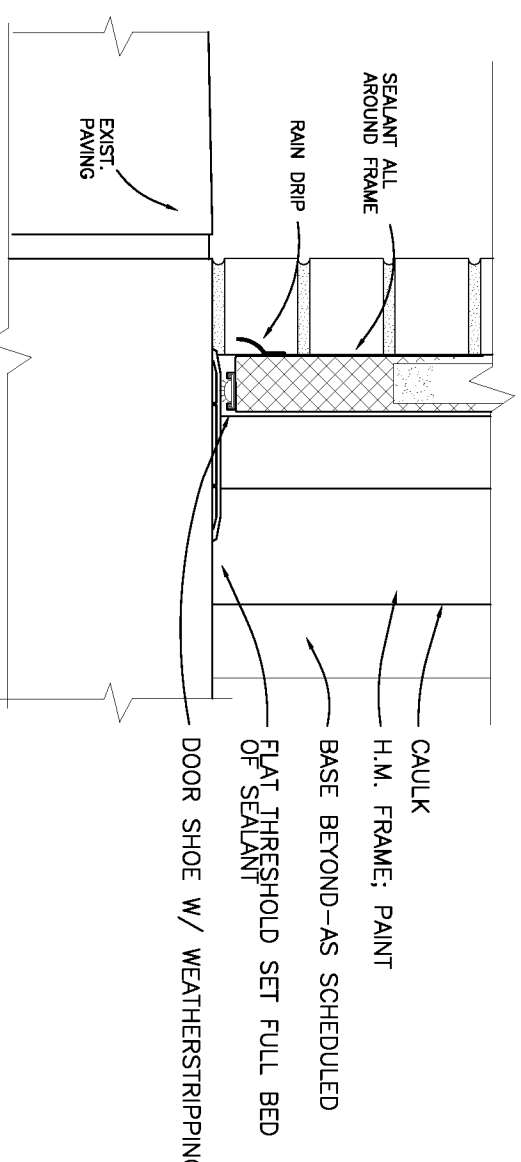


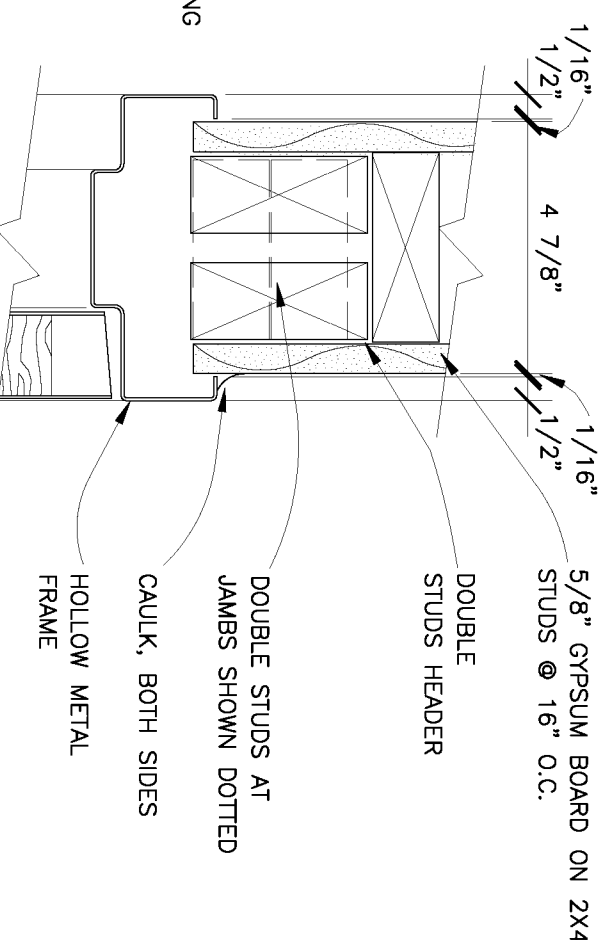
1 H.M. DOOR HEAD DETAIL
SCALE: 3/8" = 1'-0"



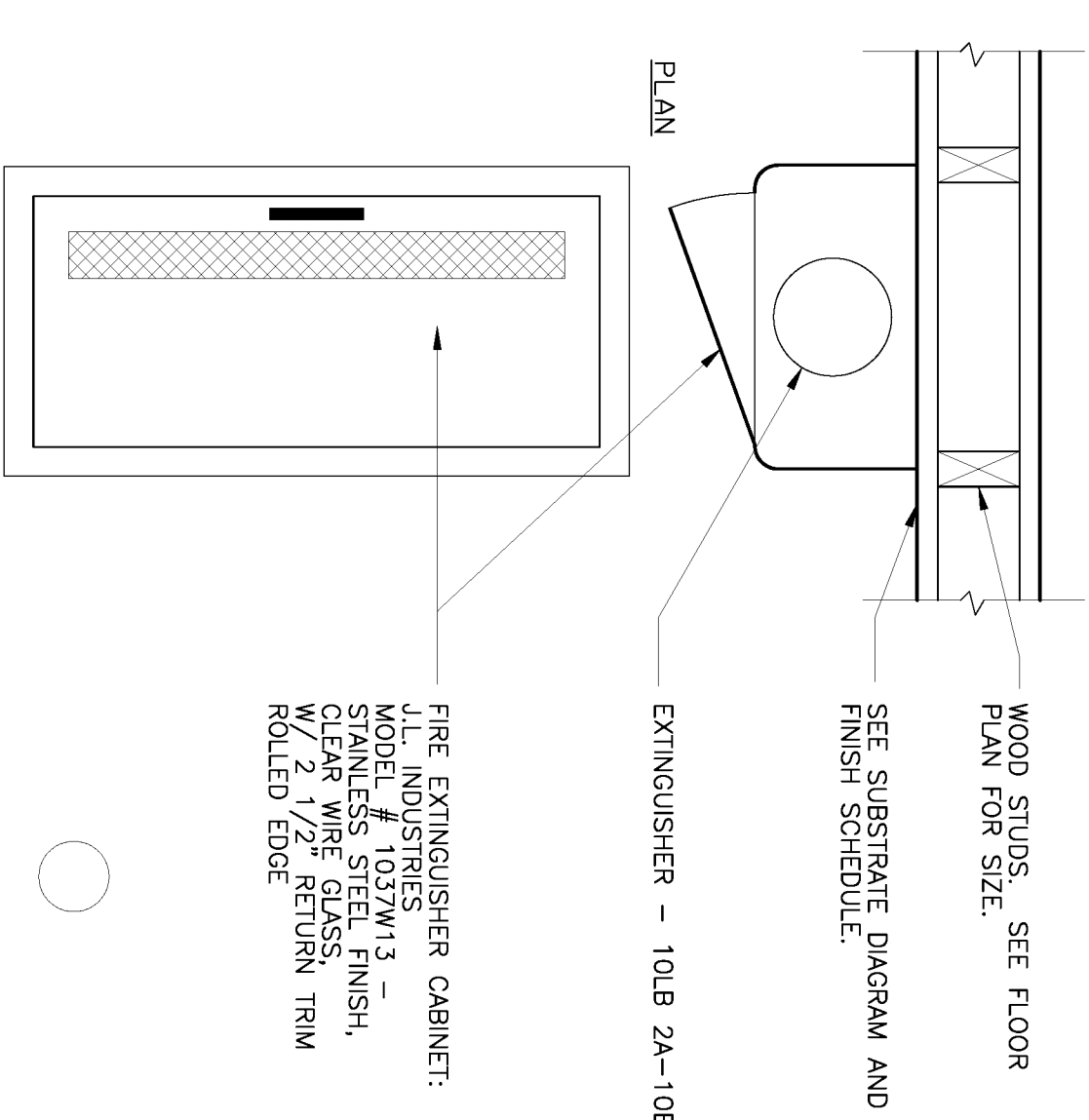
2 H.M. DOOR JAMB DETAIL
SCALE: 3/8" = 1'-0"



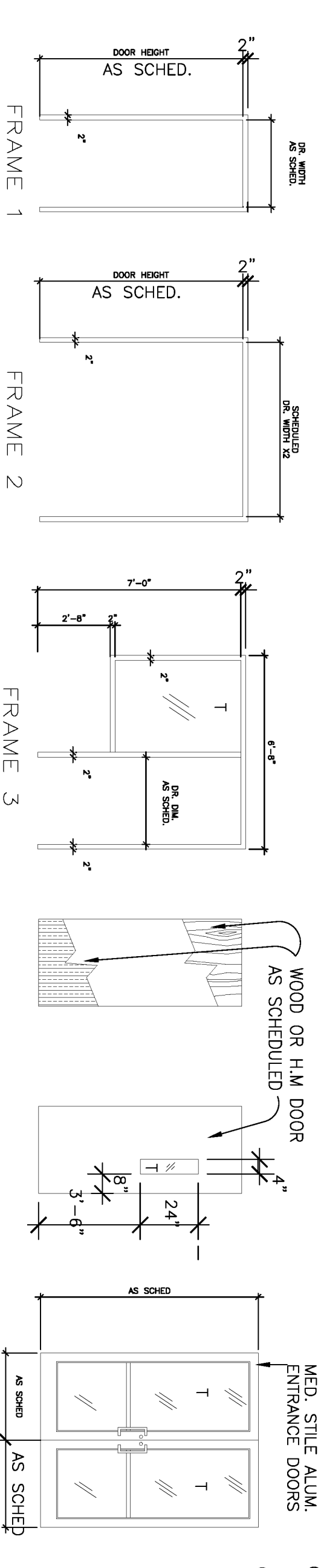
3 H.M. DOOR SILL DETAIL
SCALE: 3/8" = 1'-0"



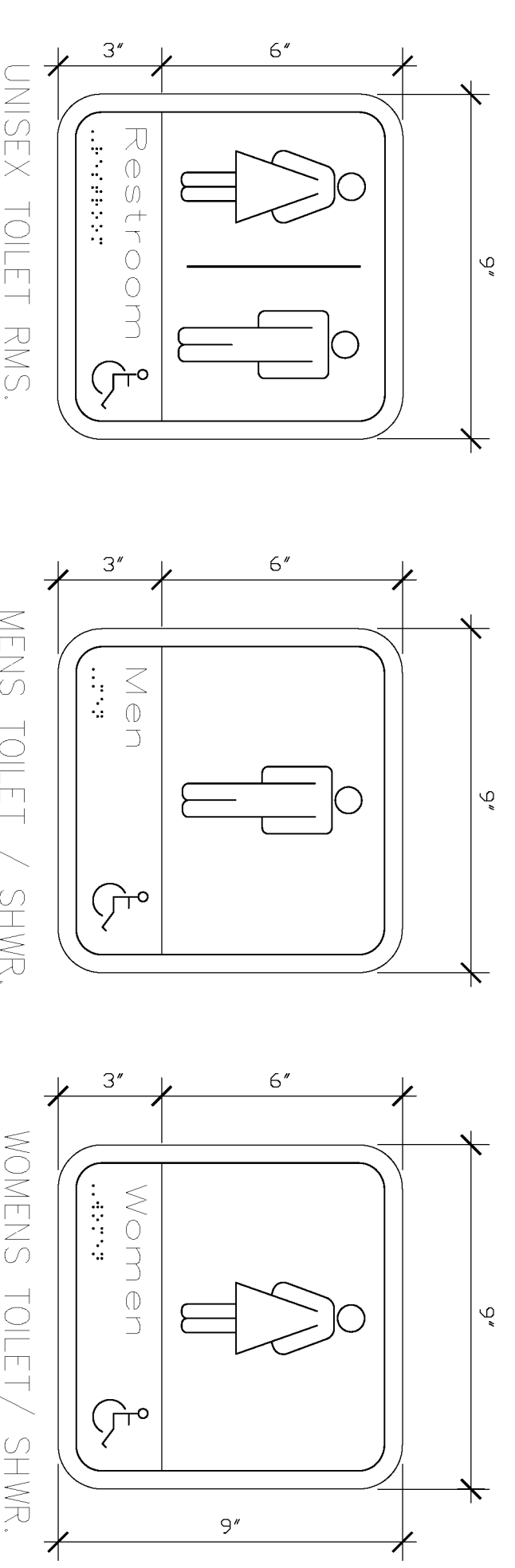
4 DR. HEAD/JAMB SIM.
SCALE: 3/8" = 1'-0"



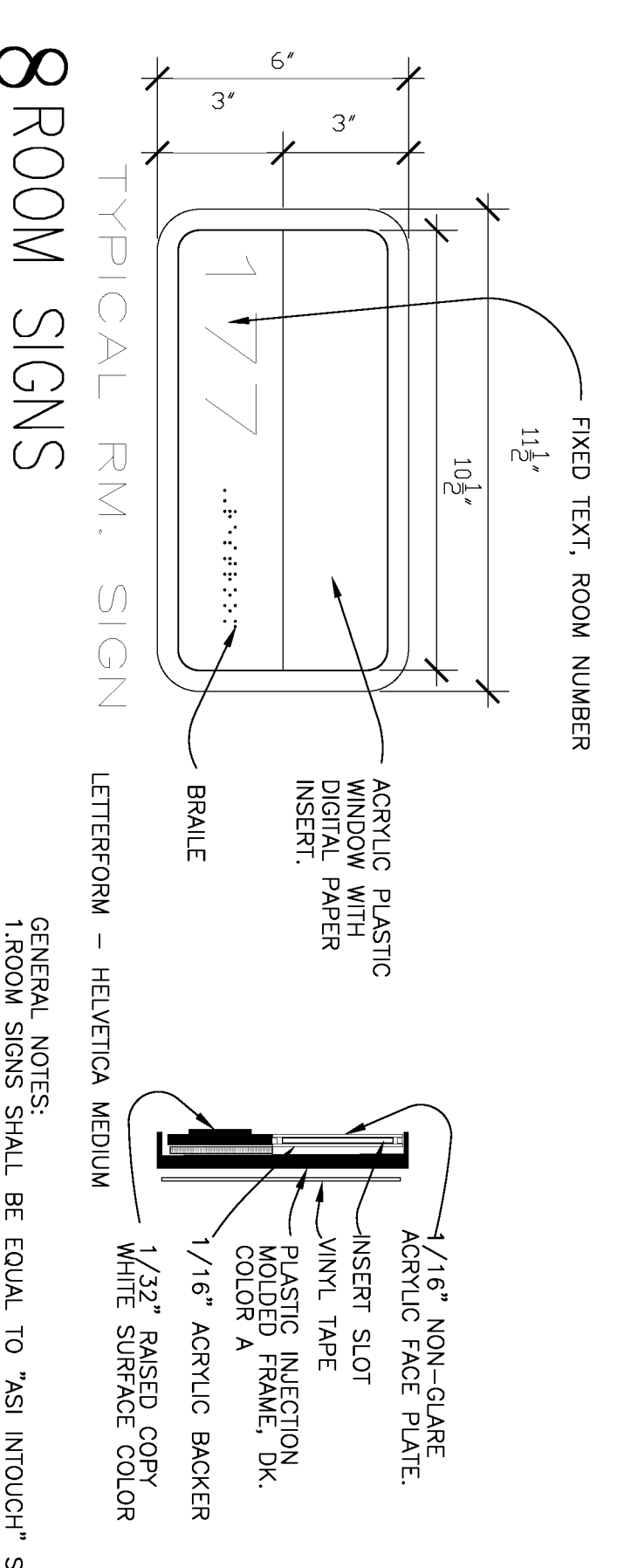
5 FIRE EXT. CABINET
SCALE: 1" = 1'-0"



6 DOOR & FRAME ELEVATIONS
SCALE: 1/4" = 1'-0"

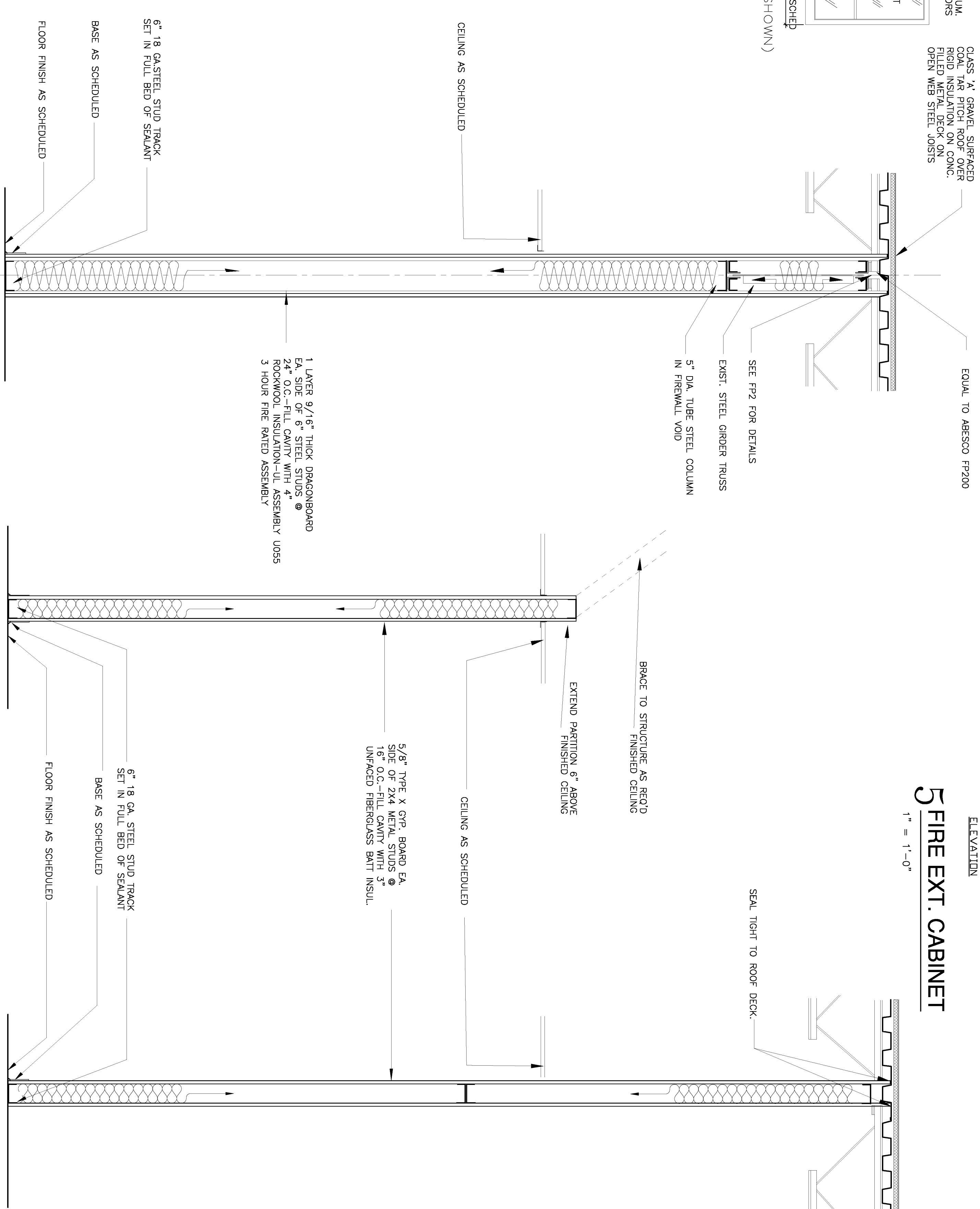


7 GRAPHIC SYMBOL SIGNS
SCALE: 3/8" = 1'-0"

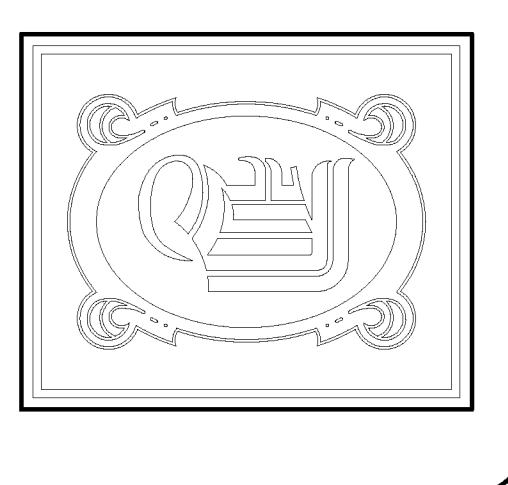


8 ROOM SIGNS
SCALE: 3/8" = 1'-0"

GENERAL NOTES:
1. ALL SIGNS SHALL BE EQUAL TO "MSI INTRUCTION" SERIES "ROOM" SIGN SERIES "WINDOW SIGN" WITH DIGITAL NAME INSERTS W/ ADA COMPLIANT ROOM NUMBERS AND BRAILLE CHARACTERS.
2. PROVIDE SIGNAGE AT ALL INTERIOR DOORS.
3. IN ADDITION TO ROOM SIGNAGE, PROVIDE LOW LEVEL MOUNTED EXIT SIGNAGE AT ALL EXTERIOR EXIT DOORS AND STAIR EXIT DOORS.



9 WALL TYPES
NOT TO SCALE



DAMMON ENGINEERING, INC.
CHIEF ENGINEER
EVAN JETT
DAMMON, P.E.
CHIEF ARCHITECT
ROBERT WILTSE

1095 FLORIDA AVENUE
SLIDELL, LA, 70456
OFFICE: 985-649-5632
FAX: 985-641-5950
WEBSITE:
WWW.DAMMONENGINEERING.COM
EMAIL:
DAMMONEN@BELL-SOUTH.NET

ARCHITECTURE
ENGINEERING
STUDIES
PLANNING
INVESTIGATION
EXPERT WITNESSES

NORTHSHORE
CHURCH
KENNINGTON DR.
SLIDELL, LA

DETAILS
WALL TYPES

REV: #1 06-08-09
SCALE: AS NOTED
JOB#: 1988
DATE: 09-30-08
SHEET

A-3

DF