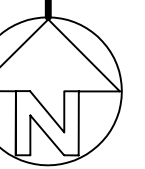
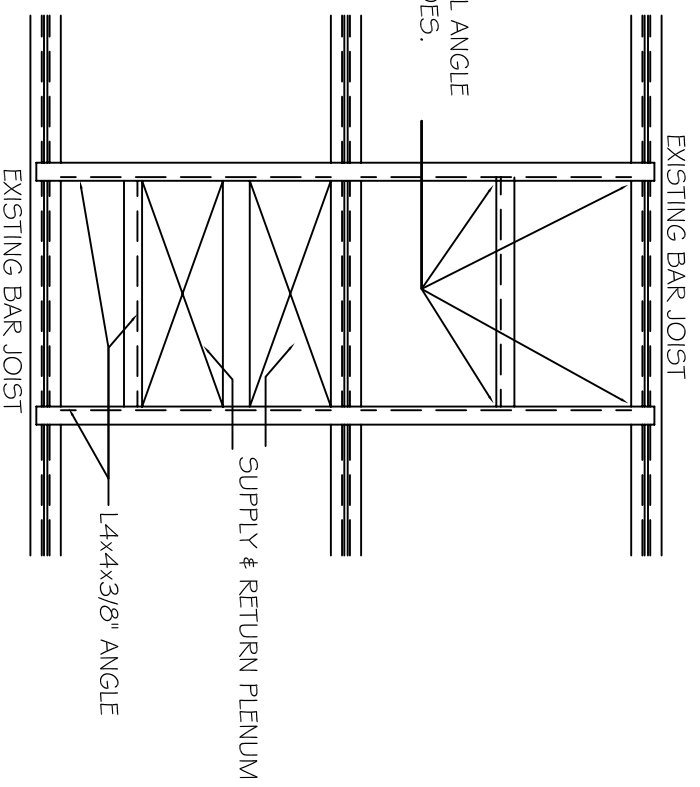


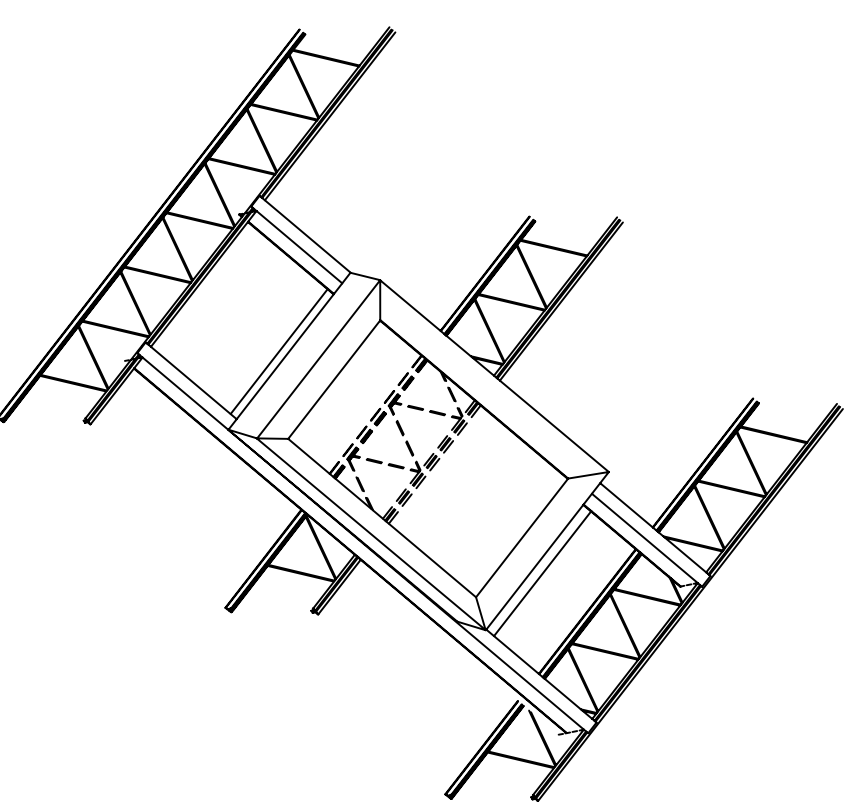
MECHANICAL KEY PLAN



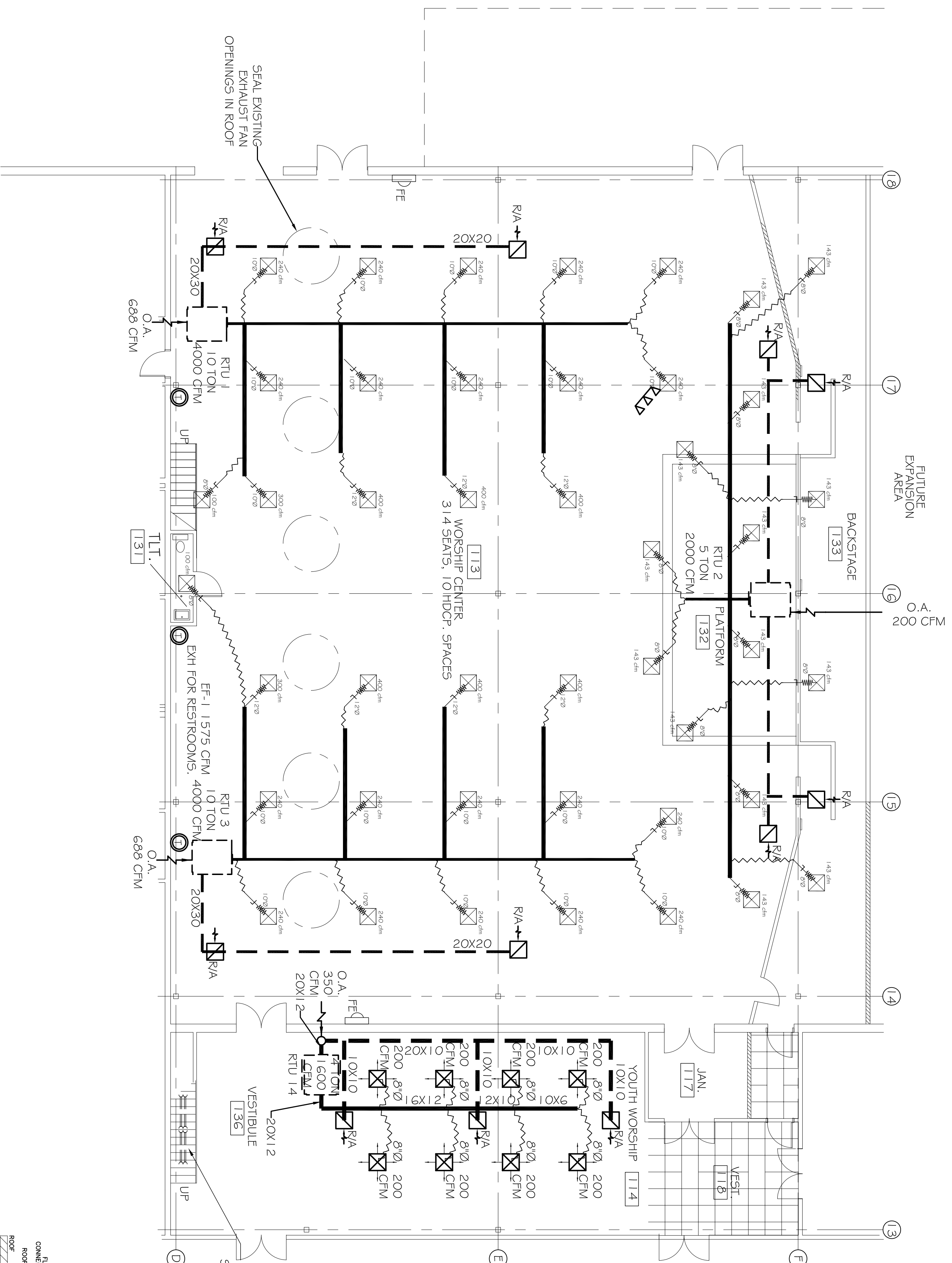
N.T.S.



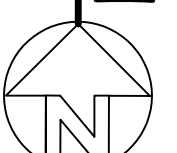
TYPICAL RTU SUPPORT DETAIL



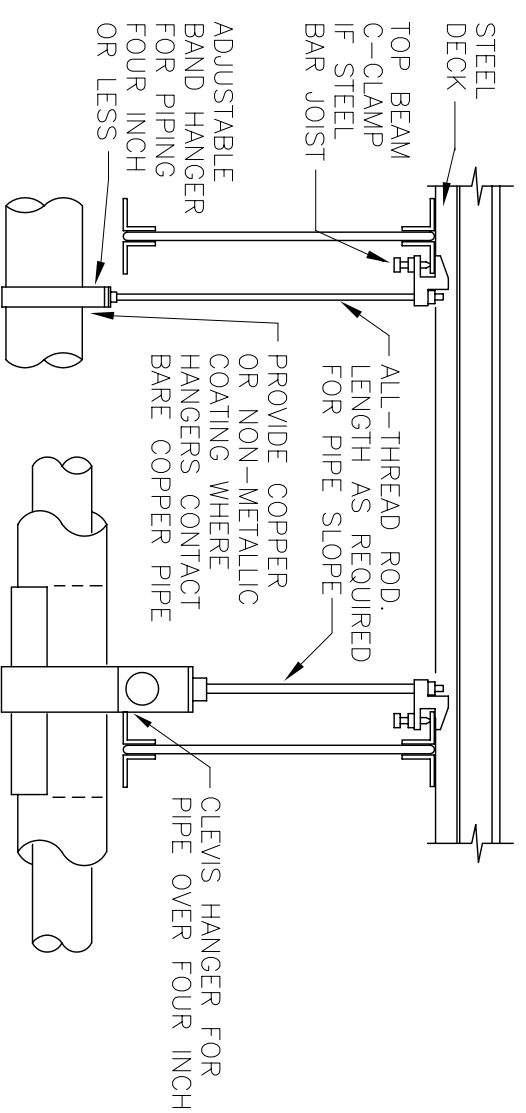
TYPICAL RTU CURB ISO VIEW



ZONE 1 MECHANICAL PLAN

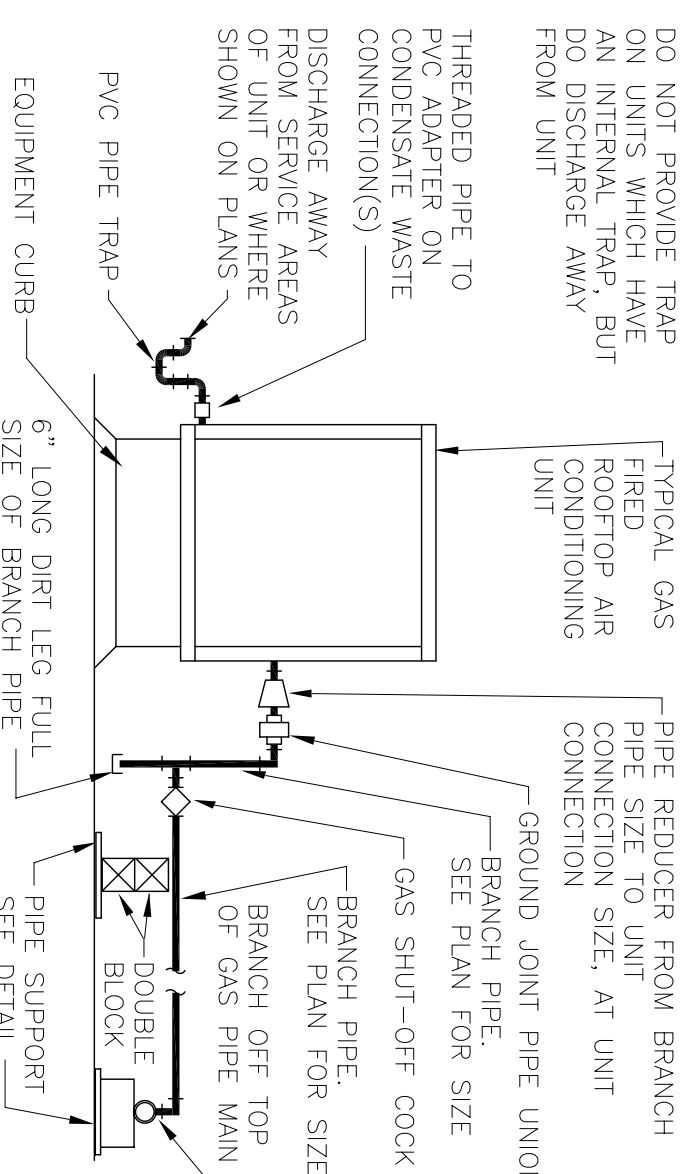


SCALE: 1/8"=1'-0"

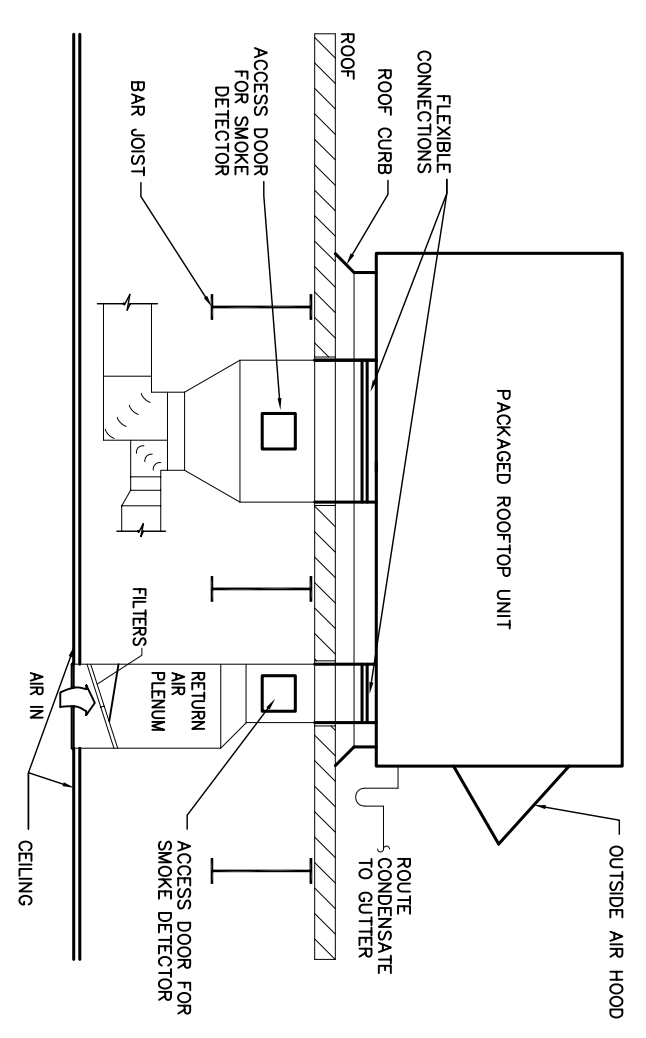


TYPICAL PIPE HANGER DETAIL

PROVIDE UPPER ATTACHMENT AS REQUIRED FOR CASES NOT SHOWN HERE. DO NOT INSTALL HANGER INSIDE INSULATION OR OTHERWISE PENETRATE VAPOR BARRIER. DO NOT HANG ONE PIPE FROM ANOTHER EXCEPT IN HANGER SPACES FOR SERVICE AREAS. PROVIDE COPPER OR NON-METALLIC HANGERS CONTACT BARE COPPER PIPE. PROVIDE GALVANIZED STEEL SADDLE FOR ALL LARGER THAN 3" FROM BOTTOM OF JOISTS. VERIFY INSULATION THICKNESS WHEN SIZING HANGERS.



TYPICAL ROOFTOP UNIT CONNECTIONS



TYPICAL ROOFTOP UNIT DETAIL

LEGEND

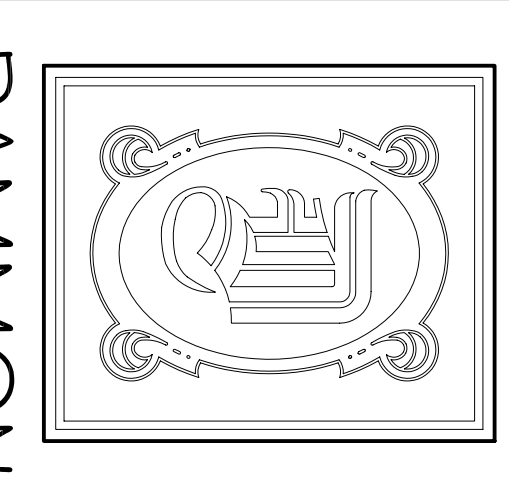
- SUPPLY AIR DUCT
- RETURN AIR DUCT
- - - EXHAUST DUCT
- ⊠ -24 X 24 SUPPLY AIR GRILLE
- ⊞ -24 X 24 RETURN AIR GRILLE
- ⊙ -THERMOSTAT
- -VENT

Pipe Hangers

Scale: Not To Scale

Rooftop Unit Connections

Scale: Not To Scale



DAMMON ENGINEERING, INC.
 CHIEF ENGINEER
 EMMETT DAMMON, P.E.
 CHIEF ARCHITECT
 ROBERT WILTSE

1095 FLORIDA AVENUE
 SUITE LL, LA, 70456
 OFFICE: 985-649-5632
 FAX: 985-641-5950

WWW.DAMMONENGINEERING.COM
 EMAIL: DAMMONENG@BELL.SOUTH.NET

ARCHITECTURE
 ENGINEERING
 STUDIES
 PLANNING
 INVESTIGATION
 EXPERT WITNESSES

NORTHSHORE CHURCH
 KENSINGTON DR.
 SLIDELL, LA

ZONE 1 MECHANICAL PLAN

REV: #1	06-08-09
SCALE:	AS NOTED
JOB#:	1988
DATE:	09-30-08
SHEET	M-1
OF	