



BXUV.X531 Fire Resistance Ratings - ANSI/UL 263

[Page Bottom](#)

Design/System/Construction/Assembly Usage Disclaimer

- Authorities Having Jurisdiction should be consulted in all cases as to the particular requirements covering the installation and use of UL Listed or Classified products, equipment, system, devices, and materials.
 - Authorities Having Jurisdiction should be consulted before construction.
 - Fire resistance assemblies and products are developed by the design submitter and have been investigated by UL for compliance with applicable requirements. The published information cannot always address every construction nuance encountered in the field.
 - When field issues arise, it is recommended the first contact for assistance be the technical service staff provided by the product manufacturer noted for the design. Users of fire resistance assemblies are advised to consult the general Guide Information for each product category and each group of assemblies. The Guide Information includes specifics concerning alternate materials and alternate methods of construction.
 - Only products which bear UL's Mark are considered as Classified, Listed, or Recognized.
-

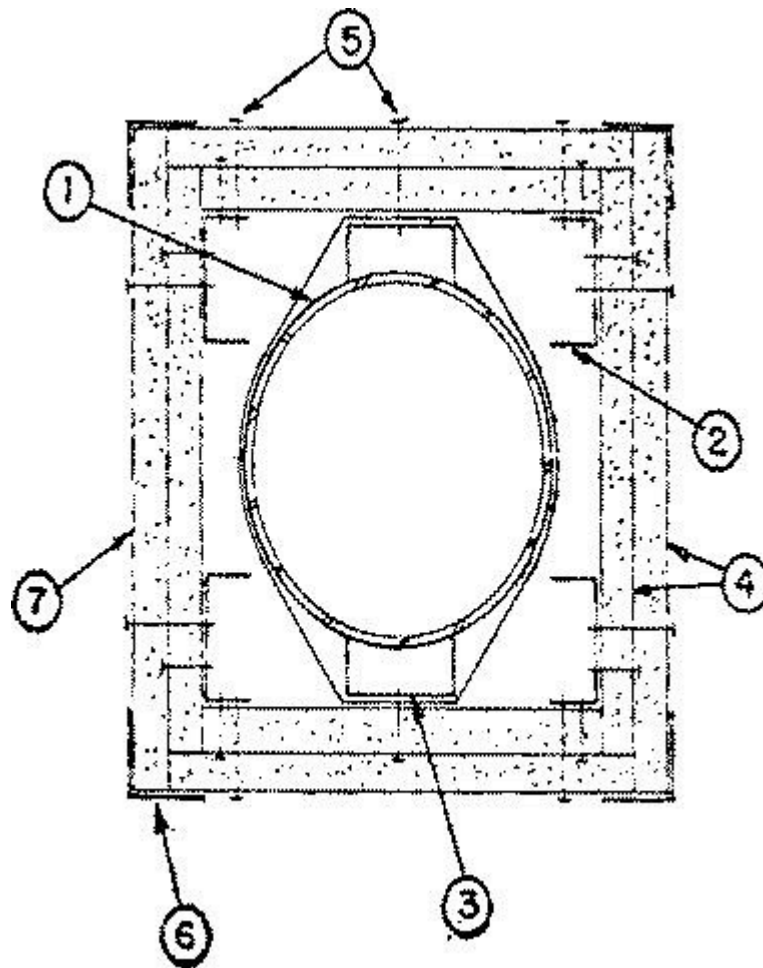
Fire Resistance Ratings - ANSI/UL 263

[See General Information for Fire Resistance Ratings - ANSI/UL 263](#)

Design No. X531

June 13, 2009

Rating 1-1/2 Hr.



1. **Steel Column** Steel pipe column with a min outside diam of 4-1/2 in., a min wall thickness of 0.109 in. and a min weight of 5.1 lb per ft.

2. **Wallboard Attachment Studs** 1-5/8 in. deep with nom 1-3/8 in. legs, and 1/4 in. stiffening flanges fabricated from No. 26 MSG (min) galv steel. Channels cut 1/2 to 3/4 in. less in length than column height.

3. **Wallboard Attachment Channels** 1-5/8 in. deep with nom 1-1/4 in. legs, fabricated from No. 26 MSG (min) galv steel. Channels tied to column with No. 18 SWG tie wire spaced approx 4 ft OC.

4. **Gypsum Board*** 1/2 in. thick, two layers applied vertically. Inner layer attached to steel studs and channels with 1 in. long steel screws spaced 12 in. OC. Outer layer attached through inner layer into steel studs with 1-5/8 in. long screws spaced 12 in. OC.

AMERICAN GYPSUM CO Type AG-C .

CERTAINTED GYPSUM INC Type FRPC., ProRoc Type C.

CERTAINTED GYPSUM CANADA INC ProRoc Type C.

CANADIAN GYPSUM COMPANY Types C, IP-X2.

GEORGIA-PACIFIC GYPSUM L L C Type 5.

LAFARGE NORTH AMERICA INC Types LGFC-C, LGFC-C/A.

NATIONAL GYPSUM CO Types FSK-C, FSW-C.

PABCO BUILDING PRODUCTS L L C, DBA

PABCO GYPSUM Type PG-C.

PANEL REY S A Type PRC

TEMPLE-INLAND FOREST PRODUCTS CORP Type TG-C.

UNITED STATES GYPSUM CO Types C, IP-X2.

USG MEXICO S A DE C V Types C, IP-X2.

5. **Screws** Self-drilling and self-tapping bugle head Type S wallboard screws, 1 and 1-5/8 in. long.

6. **Corner Bead** No. 28 MSG galv steel, two 1-1/4 in. legs, attached to wallboard with Type 4d gypsum wallboard nails spaced vertically 12 in. O.C.

7. **Finishing System** Joint compound, 1/16 in. thick, applied over corner beads, joints and surfaces of wallboard.

*Bearing the UL Classification Mark

Last Updated on 2009-06-13

[Questions?](#)

[Notice of Disclaimer](#)

[Page Top](#)

Copyright © 2009 Underwriters Laboratories Inc.®

The appearance of a company's name or product in this database does not in itself assure that products so identified have been manufactured under UL's Follow-Up Service. Only those products bearing the UL Mark should be considered to be Listed and covered under UL's Follow-Up Service. Always look for the Mark on the product.

UL permits the reproduction of the material contained in the Online Certification Directory subject to the following conditions: 1. The Guide Information, Designs and/or Listings (files) must be presented in their entirety and in a non-misleading manner, without any manipulation of the data (or drawings). 2. The statement "Reprinted from the Online Certifications Directory with permission from Underwriters Laboratories Inc." must appear adjacent to the extracted material. In addition, the reprinted material must include a copyright notice in the following format: "Copyright © 2009 Underwriters Laboratories Inc.®"

An independent organization working for a safer world with integrity, precision and knowledge.

