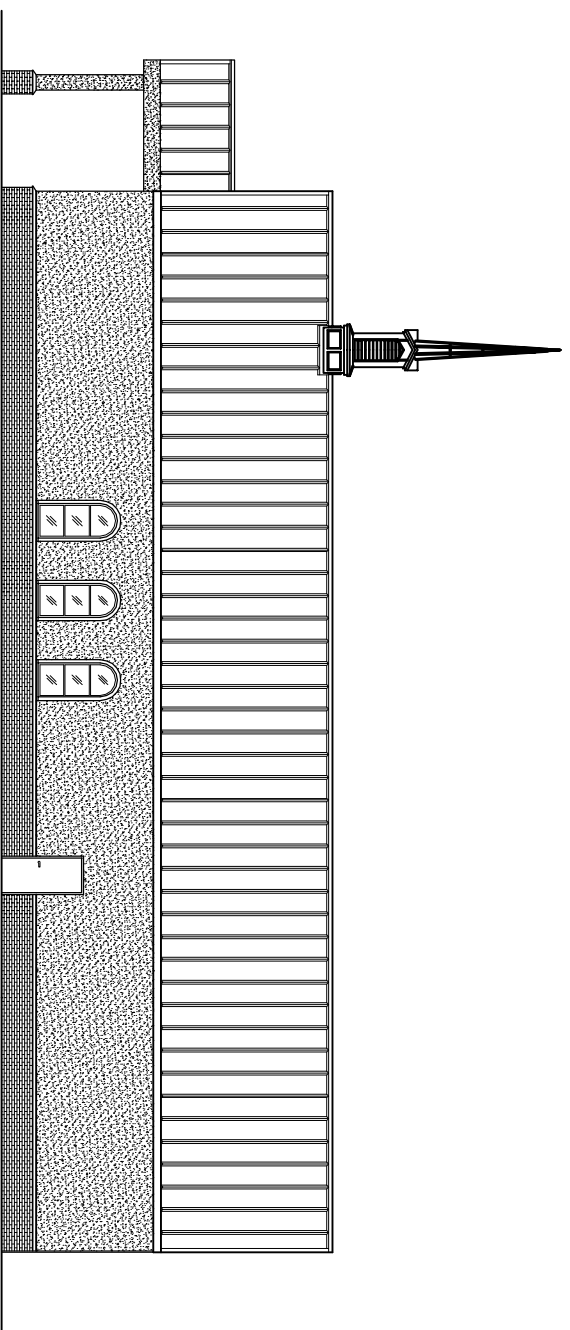


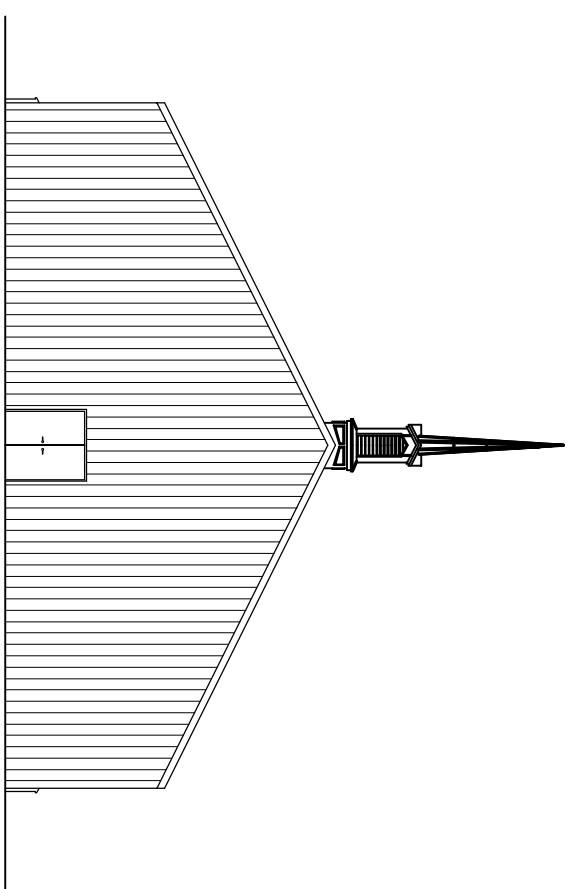
FRONT ELEVATION

SCALE: 1/8"=1'



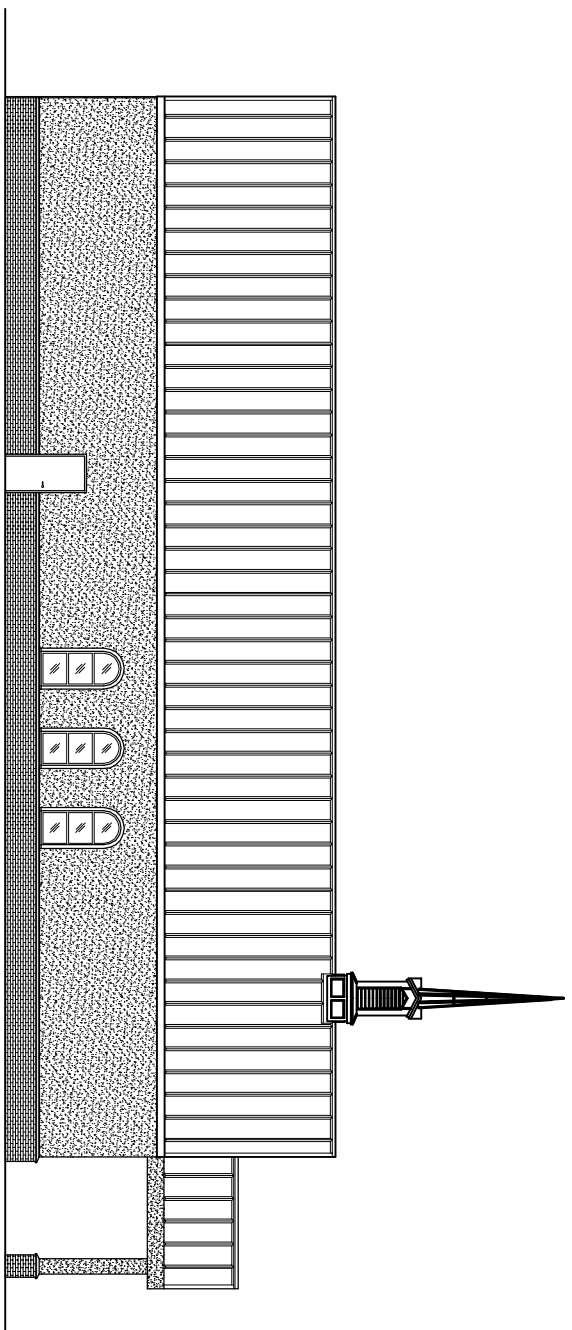
RIGHT ELEVATION

SCALE: 1/8"=1'



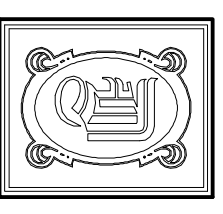
REAR ELEVATION

SCALE: 1/8"=1'



LEFT ELEVATION

SCALE: 1/8"=1'



DAMMON ENGINEERING, INC.

CHIEF ENGINEER
EMMETT DAMMON, P.E.
CHIEF ARCHITECT
ROBERT WILTSE

554 OLD SPANISH TRAIL
SUDELL, LA. 70458
OFFICE: 985-649-5832
FAX: 985-641-5950

WEBSITE: WWW/DAMMONENGINEERING.COM
EMAIL: DAMMONENG@BELLFLOWER.NET

ARCHITECTURE
ENGINEERING
STUDIES
PLANNING
INVESTIGATION
EXPERT WITNESS

NEW
CHURCH

FIRST BAPTIST
CHURCH
6454 I HWY 3081
PEARL RIVER, LA
70452

EXTERIOR
ELEVATIONS

REV:

SCALE: AS NOTED

JOB#: 2108

DATE: 04-26-11

SHEET 5

A-3

OF 14