



DX11S COMMERCIAL

7.5- & 10-ton, Three-Phase
Split System Air Conditioner
11.2 EER / R-410A

PLUS

7.5- & 10-Ton, Three-Phase
Split System Air Conditioner with
One Two-Speed Indoor Air Handler and
Two 4-Ton or Two 5-Ton Condensers



■ Contents

Nomenclature.....	2
Specifications	3
11 EER Expanded Data	4
13 SEER Expanded Data	12
AHRI Ratings	16
Dimensions	17
Wiring Diagrams.....	18
Accessories	20

■ Standard Features

- Energy-efficient compressor
- Quiet operating top discharge
- High-efficiency copper tube / aluminum fin coil
- Brass liquid and suction service valves
- High- and low-pressure switches
- Factory-installed filter drier
- Complies with ASHRAE 90.1-2007
- AHRI Certified; ETL Listed

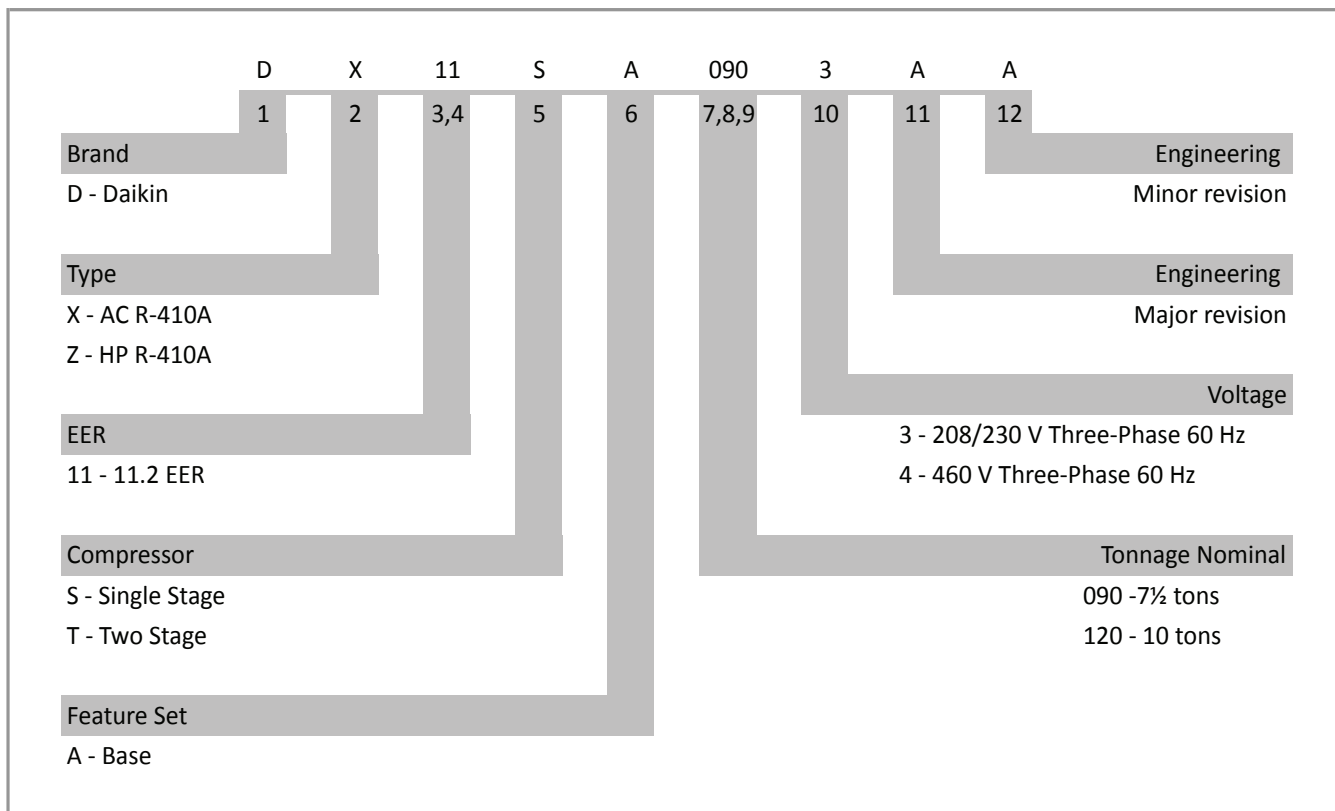
■ Cabinet Features

- Innovative sound control top design
- Steel louver coil guard protects the coil from damage and adds strength to unit
- Bottom pan rails elevate unit above slab
- Heavy-gauge galvanized-steel cabinet
- Attractive Nickel Gray powder-paint finish
- When properly anchored, meets the 2010 Florida Building Code unit integrity requirements for hurricane-type winds (Anchor bracket kits available.)



* Complete warranty details available from your local dealer or at www.daikincomfort.com.

NOMENCLATURE



PRODUCT SPECIFICATIONS — DX11SA

	DX11SA 0903A*	DX11SA 0904A*	DX11SA 1203A*	DX11SA 1204A*
COOLING CAPACITIES				
Nominal Cooling (BTU/h) ¹	88,000	90,000	114,000	112,000
EER / IEER	11.2 / 11.5	11.2 / 11.5	11.2 / 11.5	11.2 / 11.5
Decibels	84	84	84	84
COMPRESSOR				
RLA	25.0	12.2	30.1	16.7
LRA	164	100	225	114
CONDENSER FAN MOTOR				
Horsepower	1	1	1	1
FLA	5.6	3.5	5.6	3.5
REFRIGERATION SYSTEM				
Liquid Valve Connection Size ("O.D.)	⅝"	⅝"	⅝"	⅝"
Suction Valve Connection Size ("O.D.)	1⅜"	1⅜"	1⅜"	1⅜"
Valve Type	Sweat	Sweat	Sweat	Sweat
Refrigerant Charge	35	35	35	35
ELECTRICAL DATA				
AC Volts	208/230	460	208/230	460
Hz / Phase	60 Hz/3	60 Hz/3	60 Hz/3	60 Hz/3
Minimum Circuit Ampacity ²	36.9	18.8	43.2	24.4
Max. Overcurrent Protection ³	60	30	70	40
Min / Max Volts	197/253	414/506	197/253	414/506
Electrical Conduit Size	½" or ¾"	½" or ¾"	½" or ¾"	½" or ¾"
SHIP WEIGHT (LBS)	315	315	334	334

¹ Tested and rated in accordance with ARI Standard 208/230

² Wire size should be determined in accordance with National Electrical Codes; extensive wire runs will require larger wire sizes

³ Must use time-delay fuses or HACR-type circuit breakers of the same size as noted.

NOTES

- Always check the rating plate for electrical data on the unit being installed.
- Installer will need to supply ⅝" to 1⅜" adapters for suction line connections.
- Unit is charged with refrigerant for 15' of ⅝" liquid line. System charge must be adjusted per Installation Instructions Final Charge Procedure.

TWO-SPEED AIR HANDLER NOTES

- For 7½-ton two-speed air handler: unit is circuited with two 4-ton air conditioning systems.
- For 10-ton two-speed air handler: unit is circuited with two 5-ton air conditioning systems.
- For technical details regarding the DX13SA and DAT series product specifications, go to: <http://daikincomfort.com/commercial/split-systems>

EXPANDED COOLING DATA — DX11SA0903 / (2)CA*F3642*6D*+TXV (CONT.)

IDB	AIRFLOW	OUTDOOR AMBIENT TEMPERATURE												ENTERING INDOOR WET BULB TEMPERATURE											
		65°F				75°F				85°F				95°F				105°F				115°F			
		59	63	67	71	59	63	67	71	59	63	67	71	59	63	67	71	59	63	67	71	59	63	67	71
80	MBh	80.0	81.7	87.3	93.3	78.1	79.8	85.3	91.2	76.3	77.9	83.3	89.0	74.4	76.0	81.2	86.8	70.7	72.2	77.2	82.5	65.5	66.9	71.5	76.4
	S/T	0.81	0.76	0.62	0.46	0.84	0.79	0.64	0.48	0.86	0.81	0.66	0.49	0.89	0.83	0.68	0.51	0.92	0.86	0.70	0.53	0.93	0.87	0.71	0.53
	ΔT	23	22	19	15	23	22	19	15	23	22	19	15	23	22	19	15	23	21	19	15	21	20	18	14
	kW	6.72	6.85	7.04	7.24	7.18	7.32	7.53	7.75	7.59	7.74	7.97	8.21	7.95	8.11	8.35	8.61	8.25	8.42	8.68	8.95	8.52	8.69	8.96	9.24
	Amps	18.2	18.6	19.2	19.8	19.5	19.9	20.5	21.2	21.0	21.5	22.1	22.9	22.3	22.8	23.5	24.3	23.6	24.1	24.8	25.7	24.9	25.4	26.2	27.1
	HI PR	221	237	251	261	248	266	281	293	281	303	320	334	321	345	364	380	361	388	410	427	399	429	453	472
	LO PR	102	109	119	126	108	115	125	133	112	119	130	139	118	125	137	146	123	131	143	153	128	136	148	158
	MBh	86.7	88.5	94.6	101.1	84.6	86.5	92.4	98.8	82.6	84.4	90.2	96.4	80.6	82.4	88.0	94.1	76.6	78.2	83.6	89.4	70.9	72.5	77.4	82.8
	S/T	0.84	0.79	0.64	0.48	0.87	0.81	0.66	0.50	0.89	0.84	0.68	0.51	0.92	0.86	0.70	0.52	0.95	0.90	0.73	0.54	0.96	0.90	0.73	0.55
	ΔT	22	21	18	15	22	21	19	15	22	21	19	15	23	22	19	15	22	21	19	15	21	20	17	14
kW	6.87	7.00	7.20	7.41	7.34	7.49	7.70	7.93	7.76	7.92	8.15	8.40	8.13	8.30	8.55	8.81	8.45	8.62	8.88	9.16	8.72	8.90	9.17	9.46	
Amps	18.7	19.1	19.6	20.3	20.0	20.4	21.0	21.7	21.5	22.0	22.7	23.4	22.9	23.4	24.1	24.9	24.2	24.7	25.5	26.4	25.5	26.1	26.9	27.8	
HI PR	227	245	258	270	255	275	290	302	290	312	330	344	331	356	376	392	372	400	423	441	411	442	467	487	
LO PR	105	112	122	130	111	118	129	138	116	123	134	143	121	129	141	150	127	135	148	157	132	140	153	163	
MBh	88.0	89.9	96.0	102.6	85.9	87.8	93.8	100.3	83.9	85.7	91.6	97.9	81.8	83.6	89.3	95.5	77.7	79.4	84.9	90.7	72.0	73.6	78.6	84.0	
S/T	0.88	0.82	0.67	0.50	0.91	0.85	0.69	0.52	0.93	0.87	0.71	0.53	0.96	0.90	0.73	0.55	1.00	0.93	0.76	0.57	1.00	0.94	0.77	0.57	
ΔT	21	20	17	14	21	20	18	14	21	20	18	14	21	21	18	14	21	20	18	14	20	19	16	13	
kW	6.90	7.03	7.23	7.44	7.38	7.52	7.74	7.98	7.80	7.96	8.20	8.45	8.18	8.34	8.59	8.86	8.49	8.67	8.93	9.21	8.77	8.95	9.23	9.52	
Amps	18.8	19.2	19.7	20.4	20.1	20.6	21.2	21.9	21.7	22.1	22.8	23.6	23.0	23.5	24.2	25.1	24.3	24.9	25.6	26.5	25.7	26.2	27.0	28.0	
HI PR	229	246	260	271	257	277	292	305	292	314	332	346	333	358	378	394	374	403	426	444	414	445	470	490	
LO PR	106	113	123	131	112	119	130	139	116	124	135	144	122	130	142	151	128	136	149	158	133	141	154	164	

2625	MBh	81.4	83.0	86.9	92.7	79.5	81.0	84.9	90.5	77.6	79.1	82.8	88.4	75.7	77.2	80.8	86.2	71.9	73.3	76.8	81.9	66.6	67.9	71.1	75.9
	S/T	0.85	0.82	0.74	0.60	0.88	0.85	0.76	0.62	0.90	0.87	0.78	0.64	0.93	0.90	0.81	0.66	0.96	0.93	0.84	0.68	0.97	0.94	0.85	0.69
	ΔT	24	24	22	19	24	24	23	20	24	24	23	20	25	24	23	20	24	24	23	20	23	22	21	18
	kW	6.77	6.89	7.09	7.29	7.23	7.37	7.59	7.81	7.64	7.80	8.03	8.27	8.01	8.17	8.41	8.67	8.32	8.49	8.74	9.02	8.58	8.76	9.03	9.31
	Amps	18.4	18.8	19.3	19.9	19.7	20.1	20.7	21.4	21.2	21.6	22.3	23.0	22.5	23.0	23.7	24.5	23.8	24.3	25.1	25.9	25.1	25.6	26.4	27.3
	HI PR	223	240	253	264	250	269	284	296	284	306	323	337	324	348	368	384	364	392	414	432	403	433	457	477
	LO PR	103	110	120	128	109	116	127	135	113	120	132	140	119	127	138	147	125	133	145	154	129	137	150	159
	MBh	88.2	89.9	94.1	100.4	86.1	87.8	91.9	98.1	84.1	85.7	89.7	95.7	82.0	83.6	87.6	93.4	77.9	79.4	83.2	88.7	72.2	73.6	77.1	82.2
	S/T	0.88	0.85	0.77	0.62	0.91	0.88	0.79	0.64	0.93	0.90	0.81	0.66	0.96	0.93	0.84	0.68	1.00	0.97	0.87	0.71	1.00	0.97	0.88	0.71
	ΔT	24	23	22	19	24	23	22	19	24	24	22	19	24	24	22	19	24	23	22	19	22	22	21	18
kW	6.91	7.05	7.25	7.46	7.40	7.54	7.76	7.99	7.82	7.98	8.21	8.46	8.19	8.36	8.61	8.88	8.51	8.69	8.95	9.23	8.79	8.97	9.25	9.54	
Amps	18.8	19.2	19.8	20.4	20.2	20.6	21.2	21.9	21.7	22.2	22.9	23.6	23.1	23.6	24.3	25.1	24.4	24.9	25.7	26.6	25.7	26.3	27.1	28.1	
HI PR	230	247	261	272	258	277	293	305	293	315	333	347	334	359	379	396	376	404	427	445	415	447	472	492	
LO PR	106	113	123	131	112	119	130	139	117	124	136	144	123	130	142	152	129	137	149	159	133	141	154	164	
MBh	89.5	91.2	95.5	101.9	87.4	89.1	93.3	99.6	85.3	87.0	91.1	97.2	83.2	84.9	88.9	94.8	79.1	80.6	84.4	90.1	73.3	74.7	78.2	83.4	
S/T	0.92	0.89	0.80	0.65	0.95	0.92	0.83	0.67	0.98	0.94	0.85	0.69	1.00	0.97	0.88	0.71	1.00	1.00	0.91	0.74	1.00	1.00	0.92	0.74	
ΔT	22	22	21	18	23	22	21	18	23	22	21	18	23	22	21	18	22	22	21	18	20	20	20	17	
kW	6.95	7.08	7.29	7.50	7.43	7.58	7.80	8.04	7.86	8.02	8.26	8.51	8.24	8.41	8.66	8.93	8.56	8.73	9.00	9.28	8.84	9.02	9.30	9.59	
Amps	18.9	19.3	19.9	20.6	20.3	20.7	21.3	22.0	21.8	22.3	23.0	23.8	23.2	23.7	24.4	25.3	24.5	25.1	25.9	26.8	25.9	26.5	27.3	28.2	
HI PR	231	249	263	274	260	279	295	308	295	318	335	350	336	362	382	398	378	407	430	448	418	450	475	495	
LO PR	107	114	124	132	113	120	131	140	118	125	137	145	123	131	143	153	129	138	150	160	134	142	155	166	

Amps = outdoor unit amps (comp.+fan)
kW = Total system power

Shaded area reflects AHRI conditions

IDB: Entering Indoor Dry Bulb Temperature
High and low pressures are measured at the liquid and suction service valves.

EXPANDED COOLING DATA — DX11SA0904 / (2)CA*F3743*6D*+TXV

IDB	AIRFLOW	OUTDOOR AMBIENT TEMPERATURE																																			
		65°F						75°F						85°F						95°F						105°F						115°F					
		59	63	67	71	75	79	59	63	67	71	75	79	59	63	67	71	75	79	59	63	67	71	75	79	59	63	67	71	75	79	59	63	67	71	75	79
70	MBh	79.0	81.9	89.7	-	-	-	75.4	78.1	85.6	-	-	-	73.5	76.2	83.5	-	-	-	69.8	72.4	79.3	-	-	-	64.7	67.1	73.5	-	-	-						
	S/T	0.65	0.54	0.38	-	-	-	0.69	0.58	0.40	-	-	-	0.71	0.59	0.41	-	-	-	0.74	0.62	0.43	-	-	-	0.74	0.62	0.43	-	-	-						
	ΔT	18	16	12	-	-	-	18	16	12	-	-	-	18	16	12	-	-	-	18	16	12	-	-	-	17	15	11	-	-	-						
	kW	5.46	5.58	5.77	-	-	-	6.31	6.46	6.68	-	-	-	6.66	6.82	7.05	-	-	-	6.96	7.12	7.37	-	-	-	7.22	7.39	7.65	-	-	-						
	Amps	23.7	24.0	24.5	-	-	-	26.3	26.8	27.4	-	-	-	27.6	28.1	28.7	-	-	-	28.8	29.3	30.1	-	-	-	30.1	30.6	31.4	-	-	-						
	HI PR	216	233	246	-	-	-	276	297	313	-	-	-	314	338	357	-	-	-	353	380	402	-	-	-	391	420	444	-	-	-						
	LO PR	116	123	135	-	-	-	127	135	148	-	-	-	134	142	155	-	-	-	140	149	163	-	-	-	145	154	168	-	-	-						
	MBh	85.6	88.7	97.2	-	-	-	81.6	84.6	92.7	-	-	-	79.7	82.6	90.5	-	-	-	75.7	78.4	85.9	-	-	-	70.1	72.6	79.6	-	-	-						
	S/T	0.67	0.56	0.39	-	-	-	0.71	0.60	0.41	-	-	-	0.74	0.62	0.43	-	-	-	0.77	0.64	0.44	-	-	-	0.77	0.64	0.45	-	-	-						
	ΔT	17	15	11	-	-	-	18	15	12	-	-	-	18	15	12	-	-	-	18	15	12	-	-	-	16	14	11	-	-	-						
	kW	5.60	5.73	5.93	-	-	-	6.48	6.63	6.86	-	-	-	6.84	7.00	7.25	-	-	-	7.15	7.32	7.57	-	-	-	7.41	7.59	7.86	-	-	-						
	Amps	24.1	24.5	25.0	-	-	-	26.9	27.3	27.9	-	-	-	28.1	28.6	29.3	-	-	-	29.4	29.9	30.7	-	-	-	30.7	31.2	32.0	-	-	-						
	HI PR	223	240	253	-	-	-	284	306	323	-	-	-	324	349	368	-	-	-	364	392	414	-	-	-	403	433	458	-	-	-						
	LO PR	119	127	139	-	-	-	131	140	152	-	-	-	138	147	160	-	-	-	144	154	168	-	-	-	149	159	173	-	-	-						
	MBh	86.9	90.1	98.7	-	-	-	82.9	85.9	94.1	-	-	-	80.8	83.8	91.8	-	-	-	76.8	79.6	87.2	-	-	-	71.1	73.7	80.8	-	-	-						
	S/T	0.70	0.59	0.41	-	-	-	0.75	0.62	0.43	-	-	-	0.77	0.64	0.45	-	-	-	0.80	0.67	0.46	-	-	-	0.81	0.67	0.47	-	-	-						
	ΔT	17	14	11	-	-	-	17	15	11	-	-	-	17	15	11	-	-	-	17	14	11	-	-	-	16	14	10	-	-	-						
	kW	5.64	5.77	5.96	-	-	-	6.52	6.67	6.90	-	-	-	6.88	7.05	7.29	-	-	-	7.19	7.36	7.62	-	-	-	7.46	7.64	7.91	-	-	-						
	Amps	24.2	24.6	25.1	-	-	-	27.0	27.4	28.1	-	-	-	28.3	28.8	29.4	-	-	-	29.6	30.1	30.8	-	-	-	30.8	31.4	32.2	-	-	-						
	HI PR	224	242	255	-	-	-	286	308	325	-	-	-	326	351	371	-	-	-	367	395	417	-	-	-	405	436	461	-	-	-						
	LO PR	120	128	140	-	-	-	132	141	153	-	-	-	139	148	161	-	-	-	145	155	169	-	-	-	150	160	175	-	-	-						

	MBh	80.4	82.7	89.6	96.1	-	-	76.6	78.9	85.4	91.7	-	-	74.8	77.0	83.3	89.4	-	-	71.0	73.1	79.2	85.0	-	-	65.8	67.7	73.3	78.7	-	-	-
	S/T	0.74	0.66	0.50	0.32	-	-	0.78	0.70	0.53	0.34	-	-	0.81	0.72	0.55	0.35	-	-	0.84	0.75	0.57	0.37	-	-	0.85	0.76	0.57	0.37	-	-	-
	ΔT	21	19	16	11	-	-	21	19	16	11	-	-	21	19	16	11	-	-	21	19	16	11	-	-	19	18	15	10	-	-	-
	kW	5.51	5.63	5.82	6.02	-	-	6.36	6.51	6.74	6.98	-	-	6.72	6.88	7.12	7.37	-	-	7.02	7.19	7.44	7.70	-	-	7.28	7.45	7.72	7.99	-	-	-
	Amps	23.8	24.2	24.7	25.3	-	-	26.5	27.0	27.6	28.3	-	-	27.8	28.3	28.9	29.7	-	-	29.0	29.5	30.3	31.1	-	-	30.3	30.8	31.6	32.5	-	-	-
	HI PR	218	235	248	259	-	-	279	300	317	330	-	-	317	342	361	376	-	-	357	384	406	423	-	-	395	425	448	468	-	-	-
	LO PR	117	125	136	145	-	-	129	137	149	159	-	-	135	144	157	167	-	-	142	151	164	175	-	-	146	156	170	181	-	-	-
	MBh	87.1	89.7	97.0	104.1	-	-	83.0	85.5	92.5	99.3	-	-	81.0	83.4	90.3	96.9	-	-	77.0	79.2	85.8	92.0	-	-	71.3	73.4	79.4	85.3	-	-	-
	S/T	0.76	0.68	0.52	0.33	-	-	0.81	0.73	0.55	0.35	-	-	0.84	0.75	0.57	0.37	-	-	0.87	0.78	0.59	0.38	-	-	0.88	0.78	0.59	0.38	-	-	-
	ΔT	20	19	15	11	-	-	20	19	15	11	-	-	21	19	16	11	-	-	20	19	15	11	-	-	19	17	14	10	-	-	-
	kW	5.65	5.78	5.98	6.19	-	-	6.54	6.69	6.92	7.17	-	-	6.90	7.07	7.31	7.57	-	-	7.21	7.38	7.64	7.92	-	-	7.48	7.66	7.93	8.22	-	-	-
	Amps	24.2	24.6	25.2	25.8	-	-	27.0	27.5	28.1	28.9	-	-	28.3	28.8	29.5	30.3	-	-	29.6	30.2	30.9	31.8	-	-	30.9	31.5	32.3	33.2	-	-	-
	HI PR	225	242	256	267	-	-	287	309	326	341	-	-	327	352	372	388	-	-	368	396	418	436	-	-	407	438	462	482	-	-	-
	LO PR	121	128	140	149	-	-	133	141	154	164	-	-	139	148	162	172	-	-	146	155	169	180	-	-	151	161	175	187	-	-	-
	MBh	88.4	91.0	98.5	105.7	-	-	84.3	86.8	93.9	100.8	-	-	82.2	84.6	91.6	98.3	-	-	78.1	80.4	87.0	93.4	-	-	72.3	74.5	80.6	86.5	-	-	-
	S/T	0.80	0.71	0.54	0.35	-	-	0.85	0.76	0.57	0.37	-	-	0.88	0.78	0.59	0.38	-	-	0.91	0.81	0.62	0.40	-	-	0.92	0.82	0.62	0.40	-	-	-
	ΔT	19	18	14	10	-	-	19	18	15	10	-	-	20	18	15	10	-	-	19	18	15	10	-	-	18	17	14	9	-	-	-
	kW	5.69	5.82	6.01	6.22	-	-	6.58	6.73	6.96	7.21	-	-	6.95	7.11	7.36	7.62	-	-	7.26	7.43	7.69	7.97	-	-	7.53	7.71	7.98	8.27	-	-	-
	Amps	24.3	24.7	25.3	25.9	-	-	27.2	27.6	28.3	29.0	-	-	28.5	29.0	29.6	30.5	-	-	29.8	30.3	31.0	31.9	-	-	31.1	31.6	32.4	33.3	-	-	-
	HI PR	227	244	258	269	-	-	289	311	329	343	-	-	330	355	374	391	-	-	371	399	421	439	-	-	410	441	465	485	-	-	-
	LO PR	122	129	141	150	-	-	133	142	155	165	-	-	140	149	163	173	-	-	147	156	171	182	-	-	152	162	176	188	-	-	-

Amps = outdoor unit amps (comp.+fan)
kW = Total system power

Shaded area reflects ACCA (TVA) conditions

IDB: Entering Indoor Dry Bulb Temperature
High and low pressures are measured at the liquid and suction service valves.

EXPANDED COOLING DATA — DX11SA0904 / (2)CA*F3743*6D*+TXV (CONT.)

IDB	AIRFLOW	OUTDOOR AMBIENT TEMPERATURE												ENTERING INDOOR WET BULB TEMPERATURE											
		65°F				75°F				85°F				95°F				105°F				115°F			
		59	63	67	71	59	63	67	71	59	63	67	71	59	63	67	71	59	63	67	71	59	63	67	71
80	MBh	81.8	83.6	89.3	95.5	79.9	81.6	87.2	93.2	78.0	79.7	85.1	91.0	76.1	77.8	83.1	88.8	72.3	73.9	78.9	84.4	67.0	68.4	73.1	78.1
	S/T	0.81	0.76	0.62	0.46	0.84	0.79	0.64	0.48	0.86	0.81	0.66	0.49	0.89	0.83	0.68	0.51	0.92	0.86	0.70	0.53	0.93	0.87	0.71	0.53
	ΔT	23	22	19	15	23	22	20	16	23	22	20	16	24	23	20	16	23	22	19	16	22	21	18	14
	kW	5.55	5.68	5.87	6.08	6.01	6.15	6.37	6.59	6.42	6.57	6.80	7.04	6.78	6.94	7.18	7.44	7.08	7.25	7.51	7.77	7.35	7.52	7.79	8.07
	Amps	23.9	24.3	24.8	25.5	25.2	25.6	26.2	26.9	26.7	27.1	27.8	28.5	28.0	28.4	29.1	29.9	29.2	29.7	30.5	31.3	30.5	31.0	31.8	32.7
	HI PR	221	237	251	261	248	266	281	293	281	303	320	334	321	345	364	380	361	388	410	427	399	429	453	472
	LO PR	118	126	137	146	125	133	145	155	130	138	151	161	136	145	158	169	143	152	166	177	148	157	172	183
	MBh	88.6	90.6	96.8	103.4	86.6	88.5	94.5	101.0	84.5	86.3	92.3	98.6	82.4	84.2	90.0	96.2	78.3	80.0	85.5	91.4	72.5	74.1	79.2	84.7
	S/T	0.84	0.79	0.64	0.48	0.87	0.81	0.66	0.50	0.89	0.84	0.68	0.51	0.92	0.86	0.70	0.52	0.95	0.90	0.73	0.54	0.96	0.90	0.73	0.55
	ΔT	23	22	19	15	23	22	19	15	23	22	19	15	23	22	19	15	23	22	19	15	21	20	18	14
kW	5.70	5.83	6.03	6.24	6.18	6.32	6.54	6.77	6.59	6.75	6.98	7.23	6.96	7.13	7.38	7.64	7.28	7.45	7.71	7.99	7.55	7.73	8.00	8.29	
Amps	24.4	24.8	25.3	25.9	25.7	26.1	26.7	27.4	27.2	27.7	28.3	29.1	28.5	29.0	29.7	30.5	29.8	30.4	31.1	32.0	31.1	31.7	32.5	33.4	
HI PR	227	245	258	270	255	275	290	302	290	312	330	344	331	356	376	392	372	400	423	441	411	442	467	487	
LO PR	122	130	142	151	129	137	150	159	134	142	155	166	141	150	163	174	147	157	171	182	152	162	177	189	
MBh	90.0	91.9	98.2	105.0	87.9	89.8	95.9	102.5	85.8	87.6	93.6	100.1	83.7	85.5	91.4	97.7	79.5	81.2	86.8	92.8	73.6	75.2	80.4	85.9	
S/T	0.88	0.82	0.67	0.50	0.91	0.85	0.69	0.52	0.93	0.87	0.71	0.53	0.96	0.90	0.73	0.55	1.00	0.93	0.76	0.57	1.00	0.94	0.77	0.57	
ΔT	21	21	18	14	22	21	18	14	22	21	18	14	22	21	18	15	22	21	18	14	20	19	17	13	
kW	5.74	5.87	6.07	6.28	6.21	6.36	6.58	6.81	6.64	6.79	7.03	7.28	7.01	7.17	7.42	7.69	7.32	7.50	7.76	8.04	7.60	7.78	8.05	8.34	
Amps	24.5	24.9	25.4	26.1	25.8	26.2	26.8	27.5	27.3	27.8	28.4	29.2	28.6	29.1	29.8	30.7	30.0	30.5	31.3	32.1	31.3	31.8	32.6	33.6	
HI PR	229	246	260	271	257	277	292	305	292	314	332	346	333	358	378	394	374	403	426	444	414	445	470	490	
LO PR	123	131	143	152	130	138	151	160	135	143	157	167	142	151	164	175	148	158	172	184	153	163	178	190	

2625	MBh	83.2	84.8	88.9	94.8	81.3	82.9	86.8	92.6	79.4	80.9	84.7	90.4	77.4	78.9	82.7	88.2	73.6	75.0	78.5	83.8	68.1	69.4	72.7	77.6
	S/T	0.85	0.82	0.74	0.60	0.88	0.85	0.76	0.62	0.90	0.87	0.78	0.64	0.93	0.90	0.81	0.66	0.96	0.93	0.84	0.68	0.97	0.94	0.85	0.69
	ΔT	25	24	23	20	25	25	23	20	25	25	23	20	25	25	23	20	25	24	23	20	23	23	22	19
	kW	5.60	5.73	5.92	6.13	6.07	6.21	6.42	6.65	6.48	6.63	6.86	7.10	6.84	7.00	7.24	7.50	7.15	7.32	7.57	7.84	7.41	7.59	7.86	8.14
	Amps	24.1	24.5	25.0	25.6	25.4	25.8	26.4	27.0	26.9	27.3	27.9	28.7	28.1	28.6	29.3	30.1	29.4	29.9	30.7	31.5	30.7	31.2	32.0	32.9
	HI PR	223	240	253	264	250	269	284	296	284	306	323	337	324	348	368	384	364	392	414	432	403	433	457	477
	LO PR	119	127	139	148	126	134	147	156	131	140	152	162	138	147	160	170	144	154	168	179	149	159	173	185
	MBh	90.2	91.9	96.3	102.7	88.1	89.8	94.0	100.3	86.0	87.6	91.8	97.9	83.9	85.5	89.6	95.5	79.7	81.2	85.1	90.8	73.8	75.2	78.8	84.1
	S/T	0.88	0.85	0.77	0.62	0.91	0.88	0.79	0.64	0.93	0.90	0.81	0.66	0.96	0.93	0.84	0.68	1.00	0.97	0.87	0.71	1.00	0.97	0.88	0.71
	ΔT	24	24	22	19	24	24	23	20	24	24	23	20	25	24	23	20	24	24	22	19	22	22	21	18
kW	5.75	5.88	6.08	6.29	6.23	6.37	6.59	6.83	6.65	6.81	7.05	7.30	7.03	7.19	7.44	7.71	7.34	7.52	7.78	8.06	7.62	7.80	8.07	8.36	
Amps	24.5	24.9	25.5	26.1	25.8	26.3	26.9	27.6	27.4	27.8	28.5	29.3	28.7	29.2	29.9	30.7	30.0	30.6	31.3	32.2	31.3	31.9	32.7	33.6	
HI PR	230	247	261	272	258	277	293	305	293	315	333	347	334	359	379	396	376	404	427	445	415	447	472	492	
LO PR	123	131	143	152	130	138	151	161	135	144	157	167	142	151	165	176	149	158	173	184	154	164	179	190	
MBh	91.5	93.3	97.7	104.2	89.4	91.1	95.4	101.8	87.3	89.0	93.2	99.4	85.1	86.8	90.9	97.0	80.9	82.4	86.3	92.1	74.9	76.4	80.0	85.3	
S/T	0.92	0.89	0.80	0.65	0.95	0.92	0.83	0.67	0.98	0.94	0.85	0.69	1.00	0.97	0.88	0.71	1.00	1.00	0.91	0.74	1.00	1.00	0.92	0.74	
ΔT	23	23	21	18	23	23	22	19	23	23	22	19	23	23	22	19	22	22	21	19	20	21	20	17	
kW	5.79	5.92	6.12	6.33	6.27	6.41	6.63	6.87	6.69	6.85	7.09	7.34	7.07	7.24	7.49	7.76	7.39	7.56	7.83	8.11	7.66	7.85	8.13	8.42	
Amps	24.6	25.0	25.6	26.2	26.0	26.4	27.0	27.7	27.5	28.0	28.6	29.4	28.8	29.3	30.0	30.9	30.2	30.7	31.5	32.4	31.5	32.1	32.9	33.8	
HI PR	231	249	263	274	260	279	295	308	295	318	335	350	336	362	382	398	378	407	430	448	418	450	475	495	
LO PR	124	132	144	153	131	139	152	162	136	145	158	168	143	152	166	177	150	159	174	185	155	165	180	192	

IDB: Entering Indoor Dry Bulb Temperature
 High and low pressures are measured at the liquid and suction service valves.
 Shaded area reflects AHRI conditions
 Amps = outdoor unit amps (comp.+fan)
 kW = Total system power

EXPANDED COOLING DATA — DX11SA1203 / (2)CA*F4860*6D*+TXV

IDB	AIRFLOW	OUTDOOR AMBIENT TEMPERATURE												ENTERING INDOOR WET BULB TEMPERATURE											
		65°F				75°F				85°F				95°F				105°F				115°F			
		59	63	67	71	59	63	67	71	59	63	67	71	59	63	67	71	59	63	67	71	59	63	67	71
70	MBh	100.1	103.8	113.7	-	97.8	101.3	111.0	-	95.4	98.9	108.4	-	93.1	96.5	105.7	-	88.5	91.7	100.5	-	81.9	84.9	93.1	-
	S/T	0.63	0.52	0.36	-	0.65	0.54	0.38	-	0.67	0.56	0.39	-	0.69	0.57	0.40	-	0.71	0.60	0.41	-	0.72	0.60	0.42	-
	ΔT	19	16	12	-	19	16	13	-	19	17	13	-	19	17	13	-	19	16	12	-	18	15	12	-
	kW	6.80	6.96	7.20	-	7.37	7.55	7.81	-	7.88	8.06	8.35	-	8.32	8.52	8.82	-	8.70	8.91	9.23	-	9.03	9.25	9.58	-
	Amps	22.2	22.7	23.4	-	23.8	24.4	25.1	-	25.8	26.3	27.2	-	27.4	28.0	28.9	-	29.1	29.7	30.7	-	30.7	31.4	32.4	-
	HI PR	231	249	263	-	260	280	295	-	295	318	336	-	336	362	382	-	379	407	430	-	418	450	475	-
	LO PR	95	101	110	-	100	106	116	-	104	111	121	-	109	116	127	-	114	122	133	-	118	126	137	-
	MBh	108.5	112.4	123.2	-	105.9	109.8	120.3	-	103.4	107.2	117.4	-	100.9	104.6	114.6	-	95.8	99.3	108.8	-	88.8	92.0	100.8	-
	S/T	0.65	0.54	0.38	-	0.67	0.56	0.39	-	0.69	0.58	0.40	-	0.71	0.60	0.41	-	0.74	0.62	0.43	-	0.75	0.62	0.43	-
	ΔT	18	16	12	-	19	16	12	-	19	16	12	-	19	16	12	-	18	16	12	-	17	15	11	-
	kW	6.98	7.15	7.39	-	7.57	7.75	8.02	-	8.09	8.29	8.58	-	8.55	8.76	9.07	-	8.94	9.16	9.49	-	9.28	9.51	9.85	-
	Amps	22.8	23.3	24.0	-	24.5	25.0	25.8	-	26.4	27.0	27.9	-	28.1	28.8	29.7	-	29.8	30.5	31.5	-	31.5	32.2	33.3	-
HI PR	239	257	271	-	268	288	304	-	305	328	346	-	347	373	394	-	390	420	443	-	431	464	490	-	
LO PR	98	104	113	-	103	110	120	-	107	114	124	-	113	120	131	-	118	125	137	-	122	130	142	-	
MBh	110.1	114.1	125.0	-	107.5	111.4	122.1	-	105.0	108.8	119.2	-	102.4	106.1	116.3	-	97.3	100.8	110.5	-	90.1	93.4	102.3	-	
S/T	0.68	0.57	0.39	-	0.70	0.59	0.41	-	0.72	0.60	0.42	-	0.74	0.62	0.43	-	0.77	0.64	0.45	-	0.78	0.65	0.45	-	
ΔT	17	15	11	-	18	15	12	-	18	15	12	-	18	15	12	-	18	15	12	-	16	14	11	-	
kW	7.03	7.19	7.44	-	7.62	7.80	8.07	-	8.14	8.34	8.63	-	8.61	8.81	9.13	-	9.00	9.22	9.55	-	9.34	9.57	9.91	-	
Amps	22.9	23.4	24.1	-	24.6	25.2	25.9	-	26.6	27.2	28.0	-	28.3	29.0	29.9	-	30.0	30.7	31.7	-	31.7	32.4	33.5	-	
HI PR	240	259	273	-	270	290	306	-	307	330	348	-	349	376	397	-	393	423	447	-	434	467	493	-	
LO PR	98	105	114	-	104	110	121	-	108	115	125	-	113	121	132	-	119	126	138	-	123	131	143	-	
75	MBh	101.8	104.8	113.5	121.8	99.4	102.4	110.8	118.9	97.1	99.9	108.2	116.1	94.7	97.5	105.5	113.3	90.0	92.6	100.3	107.6	83.3	85.8	92.9	99.7
	S/T	0.71	0.64	0.48	0.31	0.74	0.66	0.50	0.32	0.76	0.68	0.51	0.33	0.78	0.70	0.53	0.34	0.81	0.72	0.55	0.35	0.82	0.73	0.55	0.36
	ΔT	22	20	16	11	22	20	17	11	22	20	17	11	22	20	17	11	22	20	17	11	20	19	15	11
	kW	6.86	7.02	7.26	7.52	7.44	7.61	7.88	8.16	7.95	8.14	8.42	8.73	8.40	8.60	8.90	9.23	8.78	8.99	9.31	9.65	9.11	9.33	9.67	10.02
	Amps	22.4	22.9	23.6	24.4	24.0	24.6	25.3	26.2	26.0	26.6	27.4	28.4	27.6	28.3	29.2	30.2	29.3	30.0	30.9	32.0	31.0	31.7	32.7	33.9
	HI PR	234	252	266	277	262	282	298	311	298	321	339	354	340	366	386	403	382	411	435	453	422	455	480	501
	LO PR	96	102	111	118	101	107	117	125	105	112	122	130	110	117	128	136	116	123	134	143	120	127	139	148
	MBh	110.3	113.6	122.9	131.9	107.7	110.9	120.1	128.9	105.2	108.3	117.2	125.8	102.6	105.6	114.3	122.7	97.5	100.4	108.6	116.6	90.3	93.0	100.6	108.0
	S/T	0.74	0.66	0.50	0.32	0.77	0.68	0.52	0.33	0.78	0.70	0.53	0.34	0.81	0.72	0.55	0.35	0.84	0.75	0.57	0.37	0.85	0.76	0.57	0.37
	ΔT	21	20	16	11	21	20	16	11	21	20	16	11	22	20	16	11	21	20	16	11	20	18	15	10
	kW	7.04	7.21	7.46	7.72	7.64	7.82	8.09	8.38	8.17	8.36	8.66	8.97	8.63	8.84	9.15	9.48	9.03	9.24	9.57	9.92	9.37	9.59	9.94	10.30
	Amps	23.0	23.5	24.2	25.0	24.7	25.2	26.0	26.9	26.7	27.3	28.1	29.1	28.4	29.0	29.9	31.0	30.1	30.8	31.8	32.9	31.8	32.5	33.6	34.8
HI PR	241	259	274	286	271	291	307	321	308	331	350	365	350	377	398	415	394	424	448	467	436	469	495	516	
LO PR	99	105	115	122	104	111	121	129	108	115	126	134	114	121	132	141	119	127	138	147	123	131	143	152	
MBh	111.9	115.3	124.8	133.9	109.3	112.6	121.9	130.8	106.7	109.9	119.0	127.7	104.1	107.2	116.1	124.6	98.9	101.9	110.3	118.3	91.6	94.4	102.1	109.6	
S/T	0.77	0.69	0.52	0.34	0.80	0.71	0.54	0.35	0.82	0.73	0.55	0.36	0.85	0.76	0.57	0.37	0.88	0.79	0.59	0.38	0.89	0.79	0.60	0.39	
ΔT	20	19	15	10	20	19	15	11	20	19	15	11	21	19	16	11	21	19	15	11	19	17	14	10	
kW	7.09	7.25	7.50	7.77	7.69	7.87	8.15	8.44	8.22	8.41	8.71	9.02	8.69	8.89	9.21	9.54	9.08	9.30	9.63	9.98	9.43	9.65	10.00	10.37	
Amps	23.1	23.6	24.3	25.2	24.8	25.4	26.2	27.1	26.8	27.4	28.3	29.3	28.6	29.2	30.1	31.2	30.3	31.0	32.0	33.1	32.0	32.7	33.8	35.0	
HI PR	243	261	276	288	272	293	310	323	310	333	352	367	353	380	401	418	397	427	451	470	439	472	498	520	
LO PR	99	106	115	123	105	112	122	130	109	116	127	135	115	122	133	142	120	128	139	148	124	132	144	154	

IDB: Entering Indoor Dry Bulb Temperature
 High and low pressures are measured at the liquid and suction service valves.
 Shaded area reflects ACCA (TVA) conditions
 Amps = outdoor unit amps (comp.+fan)
 kW = Total system power

EXPANDED COOLING DATA — DX11SA1203 / (2)CA*F4860*6D*+TXV (CONT.)

IDB	AIRFLOW	OUTDOOR AMBIENT TEMPERATURE												ENTERING INDOOR WET BULB TEMPERATURE											
		65°F				75°F				85°F				95°F				105°F				115°F			
		59	63	67	71	59	63	67	71	59	63	67	71	59	63	67	71	59	63	67	71	59	63	67	71
80	MBh	103.6	105.9	113.1	120.9	101.2	103.4	110.5	118.1	98.8	100.9	107.9	115.3	96.4	98.5	105.2	112.5	91.6	93.6	100.0	106.9	84.8	86.7	92.6	99.0
	S/T	0.78	0.73	0.60	0.45	0.81	0.76	0.62	0.46	0.83	0.78	0.63	0.47	0.86	0.80	0.65	0.49	0.89	0.83	0.68	0.51	0.90	0.84	0.68	0.51
	ΔT	24	23	20	16	25	24	20	16	25	24	21	16	25	24	21	16	24	23	20	16	23	22	19	15
	kW	6.92	7.08	7.33	7.58	7.50	7.68	7.95	8.23	8.02	8.21	8.50	8.80	8.48	8.68	8.99	9.31	8.86	9.08	9.40	9.74	9.20	9.42	9.75	10.11
	Amps	22.6	23.1	23.8	24.6	24.3	24.8	25.6	26.4	26.2	26.8	27.6	28.6	27.9	28.5	29.4	30.5	29.6	30.3	31.2	32.3	31.2	32.0	33.0	34.2
	HI PR	236	254	268	280	265	285	301	314	301	324	343	357	343	369	390	407	386	416	439	458	427	459	485	506
	LO PR	97	103	112	119	102	109	119	126	106	113	123	131	111	119	129	138	117	124	136	144	121	128	140	149
	MBh	112.3	114.7	122.6	131.0	109.6	112.0	119.7	128.0	107.0	109.4	116.9	124.9	104.4	106.7	114.0	121.9	99.2	101.4	108.3	115.8	91.9	93.9	100.3	107.2
	S/T	0.81	0.76	0.62	0.46	0.84	0.79	0.64	0.48	0.86	0.81	0.66	0.49	0.89	0.83	0.68	0.51	0.92	0.86	0.70	0.53	0.93	0.87	0.71	0.53
	ΔT	24	23	20	16	24	23	20	16	24	23	20	16	24	23	20	16	24	23	20	16	22	21	19	15
kW	7.11	7.27	7.52	7.79	7.71	7.89	8.17	8.46	8.24	8.44	8.74	9.05	8.71	8.92	9.24	9.57	9.11	9.33	9.66	10.01	9.45	9.68	10.03	10.39	
Amps	23.1	23.7	24.4	25.2	24.9	25.4	26.2	27.1	26.9	27.5	28.4	29.4	28.6	29.3	30.2	31.3	30.4	31.1	32.1	33.2	32.1	32.8	33.9	35.1	
HI PR	244	262	277	289	273	294	310	324	311	334	353	368	354	381	402	419	398	428	452	472	440	473	500	521	
LO PR	100	106	116	123	105	112	122	130	109	116	127	135	115	122	133	142	120	128	140	149	125	132	145	154	
MBh	113.9	116.4	124.4	133.0	111.3	113.7	121.5	129.9	108.6	111.0	118.6	126.8	106.0	108.3	115.7	123.7	100.7	102.9	109.9	117.5	93.3	95.3	101.8	108.9	
S/T	0.85	0.79	0.65	0.48	0.88	0.82	0.67	0.50	0.90	0.84	0.69	0.51	0.93	0.87	0.71	0.53	0.96	0.90	0.73	0.55	0.97	0.91	0.74	0.55	
ΔT	22	22	19	15	23	22	19	15	23	22	19	15	23	22	19	15	23	22	19	15	21	20	18	14	
kW	7.15	7.32	7.57	7.84	7.76	7.94	8.22	8.51	8.29	8.49	8.79	9.11	8.76	8.98	9.29	9.63	9.17	9.39	9.72	10.08	9.51	9.74	10.09	10.46	
Amps	23.3	23.8	24.5	25.4	25.0	25.6	26.4	27.3	27.1	27.7	28.5	29.5	28.8	29.5	30.4	31.5	30.5	31.3	32.3	33.4	32.3	33.0	34.1	35.3	
HI PR	245	264	279	291	275	296	313	326	313	337	356	371	356	384	405	422	401	431	456	475	443	477	503	525	
LO PR	100	107	116	124	106	113	123	131	110	117	128	136	116	123	134	143	121	129	141	150	125	133	146	155	
85	MBh	105.4	107.5	112.5	120.1	103.0	105.0	109.9	117.3	100.5	102.5	107.3	114.5	98.1	100.0	104.7	111.7	93.2	95.0	99.5	106.1	86.3	88.0	92.1	98.3
	S/T	0.82	0.79	0.71	0.58	0.85	0.82	0.74	0.60	0.87	0.84	0.76	0.61	0.90	0.87	0.78	0.63	0.93	0.90	0.81	0.66	0.94	0.91	0.82	0.66
	ΔT	26	25	24	21	26	26	24	21	26	26	24	21	26	26	25	21	26	26	24	21	24	24	23	20
	kW	6.98	7.14	7.39	7.65	7.57	7.75	8.02	8.31	8.09	8.28	8.58	8.88	8.55	8.76	9.07	9.39	8.94	9.16	9.48	9.83	9.28	9.50	9.84	10.20
	Amps	22.8	23.3	24.0	24.8	24.5	25.0	25.8	26.7	26.4	27.0	27.9	28.9	28.1	28.8	29.7	30.7	29.8	30.5	31.5	32.6	31.5	32.2	33.3	34.5
	HI PR	239	257	271	283	268	288	304	317	304	328	346	361	347	373	394	411	390	420	443	462	431	464	490	511
	LO PR	98	104	113	121	103	110	120	127	107	114	124	133	113	120	131	139	118	125	137	146	122	130	142	151
	MBh	114.2	116.4	124.9	130.1	111.6	113.7	119.1	127.1	108.9	111.0	116.3	124.0	106.2	108.3	113.4	121.0	100.9	102.9	107.8	115.0	93.5	95.3	99.8	106.5
	S/T	0.85	0.82	0.74	0.60	0.88	0.85	0.77	0.62	0.90	0.87	0.79	0.64	0.93	0.90	0.81	0.66	0.97	0.93	0.84	0.68	0.97	0.94	0.85	0.69
	ΔT	25	25	23	20	26	25	24	21	26	25	24	21	26	25	24	21	25	25	24	20	24	23	22	19
kW	7.17	7.34	7.59	7.86	7.78	7.96	8.24	8.53	8.31	8.51	8.81	9.13	8.79	9.00	9.32	9.66	9.19	9.41	9.75	10.10	9.54	9.77	10.12	10.49	
Amps	23.3	23.9	24.6	25.4	25.1	25.7	26.5	27.4	27.1	27.7	28.6	29.6	28.9	29.5	30.5	31.6	30.6	31.3	32.3	33.5	32.4	33.1	34.2	35.4	
HI PR	246	265	279	291	276	297	314	327	314	338	357	372	357	385	406	424	402	433	457	477	444	478	505	527	
LO PR	101	107	117	124	106	113	123	131	110	117	128	137	116	123	135	143	122	129	141	150	126	134	146	156	
MBh	115.9	118.2	123.8	132.0	113.2	115.4	120.9	129.0	110.5	112.7	118.0	125.9	107.8	109.9	115.1	122.8	102.4	104.4	109.4	116.7	94.9	96.7	101.3	108.1	
S/T	0.89	0.86	0.77	0.63	0.92	0.89	0.80	0.65	0.94	0.91	0.82	0.67	0.97	0.94	0.85	0.69	1.00	0.97	0.88	0.71	1.00	0.98	0.89	0.72	
ΔT	24	24	22	19	24	24	23	20	24	24	23	20	24	24	23	20	24	24	22	19	22	22	21	18	
kW	7.21	7.38	7.64	7.91	7.83	8.01	8.29	8.59	8.37	8.57	8.87	9.19	8.84	9.06	9.38	9.72	9.25	9.47	9.81	10.17	9.60	9.83	10.18	10.56	
Amps	23.5	24.0	24.7	25.6	25.2	25.8	26.6	27.5	27.3	27.9	28.8	29.8	29.1	29.7	30.7	31.8	30.8	31.5	32.5	33.7	32.6	33.3	34.4	35.6	
HI PR	248	267	281	294	278	299	316	329	316	340	359	375	360	387	409	427	405	436	460	480	447	482	508	530	
LO PR	101	108	118	125	107	114	124	132	111	118	129	138	117	124	136	144	122	130	142	151	127	135	147	157	

IDB: Entering Indoor Dry Bulb Temperature
 High and low pressures are measured at the liquid and suction service valves.
 Shaded area reflects AHRI conditions
 Amps = outdoor unit amps (comp.+fan)
 kW = Total system power

EXPANDED COOLING DATA — DX11SA1204 / (2)CA*F4961*6D*+TXV

IDB	AIRFLOW	OUTDOOR AMBIENT TEMPERATURE												ENTERING INDOOR WET BULB TEMPERATURE											
		65°F				75°F				85°F				95°F				105°F				115°F			
		59	63	67	71	59	63	67	71	59	63	67	71	59	63	67	71	59	63	67	71	59	63	67	71
70	MBh	101.2	104.9	115.0	-	98.9	102.5	112.3	-	96.5	100.0	109.6	-	94.2	97.6	106.9	-	89.5	92.7	101.6	-	82.9	85.9	94.1	-
	S/T	0.63	0.53	0.36	-	0.65	0.54	0.38	-	0.67	0.56	0.39	-	0.69	0.58	0.40	-	0.72	0.60	0.41	-	0.72	0.60	0.42	-
	ΔT	19	17	13	-	19	17	13	-	19	17	13	-	20	17	13	-	19	17	13	-	18	16	12	-
	kW	6.60	6.78	7.05	-	7.25	7.44	7.74	-	7.82	8.03	8.36	-	8.33	8.55	8.90	-	8.76	9.00	9.36	-	9.13	9.38	9.75	-
	Amps	28.1	28.6	29.4	-	29.8	30.4	31.2	-	31.8	32.4	33.2	-	33.5	34.1	35.0	-	35.2	35.9	36.8	-	36.9	37.6	38.6	-
	HI PR	228	245	259	-	256	275	291	-	291	313	331	-	332	357	377	-	373	401	424	-	412	443	468	-
	LO PR	99	105	115	-	105	111	121	-	109	116	126	-	114	121	133	-	120	127	139	-	124	132	144	-
	MBh	106.6	110.4	121.0	-	104.1	107.9	118.2	-	101.6	105.3	115.4	-	99.1	102.7	112.6	-	94.2	97.6	106.9	-	87.2	90.4	99.1	-
	S/T	0.66	0.55	0.38	-	0.68	0.57	0.39	-	0.70	0.58	0.40	-	0.72	0.60	0.42	-	0.75	0.62	0.43	-	0.75	0.63	0.44	-
	ΔT	19	16	12	-	19	16	12	-	19	16	12	-	19	17	13	-	19	16	12	-	18	15	12	-
kW	6.80	6.99	7.27	-	7.47	7.68	7.98	-	7.98	8.20	8.53	-	8.50	8.73	9.08	-	8.94	9.18	9.55	-	9.32	9.57	9.95	-	
Amps	28.5	29.0	29.8	-	30.3	30.8	31.6	-	32.3	32.9	33.7	-	34.0	34.6	35.6	-	35.7	36.4	37.4	-	37.4	38.2	39.2	-	
HI PR	233	250	265	-	261	281	297	-	297	320	338	-	338	364	384	-	381	410	433	-	421	453	478	-	
LO PR	101	107	117	-	107	113	124	-	111	118	129	-	116	124	135	-	122	130	142	-	126	134	147	-	
MBh	109.8	113.8	124.6	-	107.2	111.1	121.7	-	104.6	108.5	118.8	-	102.1	105.8	115.9	-	97.0	100.5	110.1	-	89.8	93.1	102.0	-	
S/T	0.69	0.58	0.40	-	0.71	0.60	0.41	-	0.73	0.61	0.42	-	0.76	0.63	0.44	-	0.78	0.66	0.45	-	0.79	0.66	0.46	-	
ΔT	18	15	12	-	18	15	12	-	18	15	12	-	18	16	12	-	18	15	12	-	17	14	11	-	
kW	6.80	6.99	7.27	-	7.47	7.68	7.98	-	8.07	8.28	8.62	-	8.59	8.82	9.17	-	9.03	9.28	9.65	-	9.41	9.67	10.05	-	
Amps	28.7	29.2	30.0	-	30.5	31.0	31.8	-	32.5	33.1	34.0	-	34.2	34.9	35.8	-	36.0	36.7	37.7	-	37.7	38.5	39.5	-	
HI PR	235	253	267	-	264	284	300	-	300	323	341	-	342	368	388	-	384	414	437	-	425	457	483	-	
LO PR	102	108	118	-	108	115	125	-	112	119	130	-	118	125	137	-	123	131	143	-	127	136	148	-	
75	MBh	102.9	106.0	114.7	123.1	100.5	103.5	112.1	120.3	98.2	101.1	109.4	117.4	95.8	98.6	106.7	114.5	91.0	93.7	101.4	108.8	84.3	86.8	93.9	100.8
	S/T	0.72	0.64	0.48	0.31	0.74	0.66	0.50	0.32	0.76	0.68	0.51	0.33	0.78	0.70	0.53	0.34	0.81	0.73	0.55	0.35	0.82	0.73	0.56	0.36
	ΔT	22	20	17	12	22	21	17	12	22	21	17	12	23	21	17	12	22	20	17	12	21	19	16	11
	kW	6.67	6.85	7.12	7.41	7.32	7.52	7.82	8.14	7.90	8.12	8.44	8.78	8.41	8.64	8.99	9.35	8.85	9.09	9.45	9.84	9.23	9.47	9.85	10.25
	Amps	28.3	28.8	29.6	30.4	30.1	30.6	31.4	32.3	32.0	32.6	33.5	34.5	33.7	34.4	35.3	36.4	35.5	36.1	37.1	38.3	37.1	37.9	38.9	40.1
	HI PR	230	248	262	273	259	278	294	306	294	316	334	349	335	360	381	397	377	405	428	447	416	448	473	493
	LO PR	100	106	116	124	106	112	123	131	110	117	127	136	115	123	134	143	121	129	140	149	125	133	145	155
	MBh	108.4	111.6	120.8	129.6	105.8	109.0	118.0	126.6	103.3	106.4	115.1	123.6	100.8	103.8	112.3	120.6	95.8	98.6	106.7	114.5	88.7	91.3	98.9	106.1
	S/T	0.75	0.67	0.51	0.33	0.77	0.69	0.52	0.34	0.79	0.71	0.54	0.35	0.82	0.73	0.55	0.36	0.85	0.76	0.58	0.37	0.86	0.77	0.58	0.37
	ΔT	22	20	16	11	22	20	17	11	22	20	17	11	22	20	17	12	22	20	16	11	20	19	15	11
kW	6.80	6.99	7.27	7.57	7.48	7.68	7.99	8.31	8.07	8.29	8.62	8.97	8.59	8.82	9.17	9.55	9.03	9.28	9.65	10.04	9.42	9.67	10.06	10.46	
Amps	28.7	29.2	30.0	30.8	30.5	31.0	31.8	32.7	32.5	33.1	34.0	35.0	34.2	34.9	35.8	36.9	36.0	36.7	37.7	38.9	37.7	38.5	39.5	40.8	
HI PR	235	253	267	279	264	284	300	313	300	323	341	356	342	368	388	405	384	414	437	456	425	457	483	504	
LO PR	102	108	118	126	108	115	125	133	112	119	130	139	118	125	137	146	123	131	143	152	128	136	148	158	
MBh	111.6	114.9	124.4	133.5	109.0	112.2	121.5	130.4	106.4	109.6	118.6	127.3	103.8	106.9	115.7	124.2	98.6	101.6	109.9	118.0	91.4	94.1	101.8	109.3	
S/T	0.78	0.70	0.53	0.34	0.81	0.73	0.55	0.35	0.83	0.74	0.56	0.36	0.86	0.77	0.58	0.37	0.89	0.80	0.60	0.39	0.90	0.80	0.61	0.39	
ΔT	20	19	15	11	21	19	16	11	21	19	16	11	21	19	16	11	21	19	15	11	19	18	14	10	
kW	6.87	7.06	7.34	7.64	7.55	7.76	8.07	8.39	8.15	8.37	8.70	9.06	8.68	8.91	9.27	9.64	9.12	9.37	9.75	10.14	9.51	9.77	10.16	10.57	
Amps	28.9	29.4	30.2	31.0	30.7	31.3	32.1	33.0	32.7	33.3	34.2	35.2	34.5	35.2	36.1	37.2	36.3	37.0	38.0	39.1	38.0	38.8	39.8	41.1	
HI PR	237	256	270	281	266	287	303	316	303	326	344	359	345	371	392	409	388	418	441	460	429	462	488	509	
LO PR	103	110	120	127	109	116	126	135	113	120	131	140	119	126	138	147	125	132	145	154	129	137	150	159	

IDB: Entering Indoor Dry Bulb Temperature
 High and low pressures are measured at the liquid and suction service valves.
 Shaded area reflects ACCA (TVA) conditions
 Amps = outdoor unit amps (comp.+fan)
 kW = Total system power

EXPANDED COOLING DATA — DX11SA1204 / (2)CA*F4961*6D*+TXV (CONT.)

IDB	AIRFLOW	OUTDOOR AMBIENT TEMPERATURE																								
		65°F				75°F				85°F				95°F				105°F				115°F				
		59	63	67	71	59	63	67	71	59	63	67	71	59	63	67	71	59	63	67	71	59	63	67	71	
80	3063	MBh	104.8	107.1	114.4	122.3	102.3	104.6	111.7	119.4	99.9	102.1	109.1	116.6	97.5	99.6	106.4	113.7	92.6	94.6	101.1	108.1	85.8	87.6	93.6	100.1
		S/T	0.78	0.74	0.60	0.45	0.81	0.76	0.62	0.46	0.83	0.78	0.64	0.48	0.86	0.81	0.66	0.49	0.89	0.84	0.68	0.51	0.90	0.84	0.69	0.51
		ΔT	25	24	21	16	25	24	21	17	25	24	21	17	25	24	21	17	25	24	21	17	23	22	19	15
		kW	6.74	6.92	7.20	7.49	7.40	7.60	7.90	8.22	7.98	8.20	8.53	8.87	8.50	8.73	9.08	9.45	8.94	9.18	9.55	9.94	9.32	9.57	9.95	10.36
		Amps	28.5	29.0	29.8	30.6	30.3	30.8	31.6	32.5	32.3	32.9	33.7	34.7	34.0	34.6	35.6	36.6	35.7	36.4	37.4	38.6	37.4	38.2	39.2	40.4
	3438	HI PR	233	250	265	276	261	281	297	310	297	320	338	352	338	364	384	401	381	410	433	451	421	453	478	498
		LO PR	101	107	117	125	107	113	124	132	111	118	129	137	116	124	135	144	122	130	142	151	126	134	147	156
		MBh	110.3	112.7	120.4	128.7	107.7	110.1	117.6	125.7	105.2	107.5	114.8	122.7	102.6	104.8	112.0	119.7	97.5	99.6	106.4	113.7	90.3	92.3	98.6	105.4
		S/T	0.82	0.77	0.63	0.47	0.85	0.80	0.65	0.48	0.87	0.82	0.66	0.50	0.90	0.84	0.69	0.51	0.93	0.87	0.71	0.53	0.94	0.88	0.72	0.54
		ΔT	24	23	20	16	24	23	20	16	24	23	20	16	25	24	21	16	24	23	20	16	23	22	19	15
3938	kW	6.87	7.06	7.34	7.64	7.55	7.76	8.07	8.39	8.15	8.37	8.71	9.06	8.68	8.91	9.27	9.64	9.13	9.37	9.75	10.14	9.51	9.77	10.16	10.57	
	Amps	28.9	29.4	30.2	31.0	30.7	31.3	32.1	33.0	32.7	33.4	34.2	35.2	34.5	35.2	36.1	37.2	36.3	37.0	38.0	39.2	38.0	38.8	39.8	41.1	
	HI PR	238	256	270	282	267	287	303	316	303	326	344	359	345	372	392	409	388	418	441	460	429	462	488	509	
	LO PR	103	110	120	127	109	116	126	135	113	120	131	140	119	126	138	147	125	132	145	154	129	137	150	159	
	MBh	113.6	116.1	124.0	132.6	111.0	113.4	121.1	129.5	108.3	110.7	118.2	126.4	105.7	108.0	115.4	123.3	100.4	102.6	109.6	117.2	93.0	95.0	101.5	108.5	

85	3063	MBh	106.6	108.7	113.8	121.4	104.1	106.1	111.2	118.6	101.6	103.6	108.5	115.8	99.2	101.1	105.9	112.9	94.2	96.0	100.6	107.3	87.3	89.0	93.2	99.4
		S/T	0.82	0.79	0.72	0.58	0.85	0.82	0.74	0.60	0.87	0.84	0.76	0.62	0.90	0.87	0.79	0.64	0.94	0.90	0.82	0.66	0.94	0.91	0.82	0.67
		ΔT	26	26	24	21	27	26	25	21	27	26	25	21	27	26	25	22	26	26	25	21	25	24	23	20
		kW	6.80	6.99	7.27	7.56	7.47	7.68	7.98	8.31	8.07	8.28	8.62	8.96	8.59	8.82	9.17	9.54	9.03	9.28	9.65	10.04	9.41	9.67	10.05	10.46
		Amps	28.7	29.2	30.0	30.8	30.5	31.0	31.8	32.7	32.5	33.1	34.0	35.0	34.2	34.9	35.8	36.9	36.0	36.7	37.7	38.8	37.7	38.5	39.5	40.8
	3438	HI PR	235	253	267	279	264	284	300	313	300	323	341	356	342	368	388	405	384	414	437	456	425	457	483	503
		LO PR	102	108	118	126	108	115	125	133	112	119	130	138	118	125	137	145	123	131	143	152	127	136	148	158
		MBh	112.2	114.4	119.8	127.8	109.6	111.7	117.0	124.8	107.0	109.1	114.2	121.9	104.4	106.4	111.4	118.9	99.2	101.1	105.9	112.9	91.9	93.6	98.1	104.6
		S/T	0.86	0.83	0.75	0.61	0.89	0.86	0.78	0.63	0.91	0.88	0.79	0.64	0.94	0.91	0.82	0.67	0.98	0.94	0.85	0.69	0.99	0.95	0.86	0.70
		ΔT	26	25	24	21	26	26	24	21	26	26	24	21	26	26	24	21	26	26	24	21	24	24	23	19
3938	kW	6.94	7.13	7.42	7.72	7.63	7.83	8.15	8.48	8.23	8.45	8.79	9.15	8.76	9.00	9.36	9.74	9.22	9.47	9.85	10.24	9.61	9.87	10.26	10.68	
	Amps	29.1	29.6	30.4	31.3	30.9	31.5	32.3	33.2	33.0	33.6	34.5	35.5	34.7	35.4	36.4	37.5	36.5	37.2	38.3	39.5	38.3	39.1	40.1	41.4	
	HI PR	240	258	273	284	269	290	306	319	306	329	348	363	349	375	396	413	392	422	446	465	433	466	493	514	
	LO PR	104	111	121	129	110	117	128	136	114	122	133	141	120	128	139	148	126	134	146	156	130	138	151	161	
	MBh	115.6	117.8	123.4	131.6	112.9	115.1	120.5	128.6	110.2	112.3	117.7	125.5	107.5	109.6	114.8	122.5	102.1	104.1	109.0	116.3	94.6	96.4	101.0	107.8	

IDB: Entering Indoor Dry Bulb Temperature
 High and low pressures are measured at the liquid and suction service valves.
 Shaded area reflects AHRI conditions
 Amps = outdoor unit amps (comp.+fan)
 kW = Total system power

EXPANDED COOLING DATA — Two DX13SA048* / DAT0904*

IDB	AIRFLOW	OUTDOOR AMBIENT TEMPERATURE												ENTERING INDOOR WET BULB TEMPERATURE													
		65°F				75°F				85°F				95°F				105°F				115°F					
		59	63	67	71	59	63	67	71	59	63	67	71	59	63	67	71	59	63	67	71	59	63	67	71		
70	3372	MBh	86.2	89.4	97.9	-	84.2	87.3	95.6	-	82.2	85.2	93.4	-	80.2	83.1	91.1	-	76.2	79.0	86.5	-	70.6	73.2	80.2	-	
		S/T	0.74	0.62	0.43	-	0.77	0.64	0.44	-	0.79	0.66	0.45	-	0.81	0.68	0.47	-	0.84	0.70	0.49	-	0.85	0.71	0.49	-	
		ΔT	17	15	11	-	18	15	12	-	18	15	12	-	18	15	12	-	17	15	11	-	16	14	11	-	
	3000	kW	6.00	6.13	6.32	-	6.45	6.59	6.79	-	6.85	6.99	7.21	-	7.20	7.35	7.59	-	7.49	7.65	7.90	-	7.75	7.92	8.18	-	
		Amps	15.2	15.6	16.1	-	16.4	16.8	17.3	-	17.8	18.2	18.7	-	18.9	19.4	20.0	-	20.1	20.6	21.2	-	21.2	21.7	22.4	-	
		Hi PR	232	250	264	-	260	280	296	-	296	319	336	-	337	363	383	-	379	408	431	-	419	451	476	-	
	2629	Lo PR	106	113	123	-	112	119	130	-	116	124	135	-	122	130	142	-	128	136	149	-	133	141	154	-	
		MBh	83.7	86.8	95.1	-	81.8	84.8	92.9	-	79.8	82.7	90.7	-	77.9	80.7	88.4	-	74.0	76.7	84.0	-	68.5	71.0	77.8	-	
		S/T	0.71	0.59	0.41	-	0.73	0.61	0.42	-	0.75	0.63	0.43	-	0.77	0.65	0.45	-	0.80	0.67	0.46	-	0.81	0.68	0.47	-	
	75	3372	ΔT	18	16	12	-	18	16	12	-	18	16	12	-	18	16	12	-	18	16	12	-	17	15	11	-
			kW	5.96	6.08	6.27	-	6.40	6.54	6.74	-	6.79	6.94	7.16	-	7.14	7.29	7.52	-	7.43	7.59	7.84	-	7.68	7.85	8.11	-
			Amps	15.1	15.5	15.9	-	16.3	16.6	17.2	-	17.6	18.0	18.6	-	18.8	19.2	19.8	-	19.9	20.4	21.0	-	21.0	21.5	22.2	-
3000		Hi PR	230	247	261	-	258	277	293	-	293	315	333	-	334	359	379	-	376	404	427	-	415	446	471	-	
		Lo PR	105	112	122	-	111	118	129	-	115	123	134	-	121	129	141	-	127	135	147	-	131	140	152	-	
		MBh	77.3	80.1	87.8	-	75.5	78.2	85.7	-	73.7	76.4	83.7	-	71.9	74.5	81.6	-	68.3	70.8	77.5	-	63.3	65.6	71.8	-	
2629		S/T	0.68	0.57	0.39	-	0.70	0.59	0.41	-	0.72	0.60	0.42	-	0.75	0.62	0.43	-	0.77	0.65	0.45	-	0.78	0.65	0.45	-	
		ΔT	18	16	12	-	19	16	12	-	19	16	12	-	19	16	12	-	18	16	12	-	17	15	11	-	
		kW	5.82	5.94	6.12	-	6.25	6.38	6.58	-	6.63	6.77	6.98	-	6.97	7.11	7.34	-	7.25	7.41	7.64	-	7.50	7.66	7.91	-	
3372		Amps	14.7	15.1	15.5	-	15.8	16.2	16.7	-	17.1	17.5	18.1	-	18.3	18.7	19.3	-	19.4	19.8	20.5	-	20.5	21.0	21.6	-	
		Hi PR	223	240	253	-	250	269	284	-	284	306	323	-	324	348	368	-	364	392	414	-	402	433	457	-	
		Lo PR	102	108	118	-	108	114	125	-	112	119	130	-	117	125	136	-	123	131	143	-	127	135	148	-	
75	3372	MBh	87.7	90.3	97.7	104.9	85.7	88.2	95.5	102.5	83.6	86.1	93.2	100.0	81.6	84.0	90.9	97.6	77.5	79.8	86.4	92.7	71.8	73.9	80.0	85.9	
		S/T	0.84	0.75	0.57	0.37	0.87	0.78	0.59	0.38	0.89	0.80	0.60	0.39	0.92	0.82	0.62	0.40	0.96	0.86	0.65	0.42	0.96	0.86	0.65	0.42	
		ΔT	20	19	15	10	20	19	15	11	20	19	15	11	21	19	15	11	20	19	15	11	19	17	14	10	
	3000	kW	6.05	6.18	6.37	6.56	6.50	6.64	6.85	7.07	6.90	7.05	7.27	7.51	7.25	7.41	7.65	7.90	7.55	7.72	7.97	8.23	7.81	7.98	8.24	8.52	
		Amps	15.4	15.7	16.2	16.8	16.5	16.9	17.5	18.1	17.9	18.3	18.9	19.6	19.1	19.5	20.2	20.9	20.3	20.7	21.4	22.2	21.4	21.9	22.6	23.5	
		Hi PR	234	252	266	278	263	283	299	312	299	322	340	354	341	366	387	404	383	412	435	454	423	456	481	502	
	2629	Lo PR	107	114	124	132	113	120	131	140	118	125	137	145	124	131	143	153	129	138	150	160	134	142	156	166	
		MBh	85.1	87.7	94.9	101.8	83.2	85.6	92.7	99.5	81.2	83.6	90.5	97.1	79.2	81.5	88.3	94.7	75.2	77.5	83.9	90.0	69.7	71.8	77.7	83.4	
		S/T	0.80	0.72	0.54	0.35	0.83	0.74	0.56	0.36	0.85	0.76	0.58	0.37	0.88	0.79	0.60	0.38	0.91	0.82	0.62	0.40	0.92	0.82	0.62	0.40	
	75	3372	ΔT	21	19	16	11	21	19	16	11	21	20	16	11	21	20	16	11	21	19	16	11	20	18	15	10
			kW	6.01	6.13	6.32	6.51	6.45	6.59	6.79	7.01	6.85	6.99	7.22	7.45	7.20	7.35	7.59	7.84	7.49	7.66	7.90	8.16	7.75	7.92	8.18	8.45
			Amps	15.2	15.6	16.1	16.6	16.4	16.8	17.3	17.9	17.8	18.2	18.7	19.4	18.9	19.4	20.0	20.7	20.1	20.6	21.2	22.0	21.2	21.7	22.4	23.3
3000		Hi PR	232	250	264	275	260	280	296	309	296	319	336	351	337	363	383	400	379	408	431	450	419	451	476	497	
		Lo PR	106	113	123	131	112	119	130	139	116	124	135	144	122	130	142	151	128	136	149	159	133	141	154	164	
		MBh	78.6	80.9	87.6	94.0	76.8	79.0	85.5	91.8	74.9	77.1	83.5	89.6	73.1	75.3	81.5	87.4	69.4	71.5	77.4	83.1	64.3	66.2	71.7	76.9	
2629		S/T	0.77	0.69	0.52	0.34	0.80	0.72	0.54	0.35	0.82	0.73	0.56	0.36	0.85	0.76	0.57	0.37	0.88	0.79	0.60	0.38	0.89	0.79	0.60	0.39	
		ΔT	21	20	16	11	21	20	16	11	22	20	16	11	22	20	16	11	21	20	16	11	20	18	15	10	
		kW	5.87	5.99	6.17	6.36	6.30	6.43	6.63	6.84	6.68	6.83	7.04	7.27	7.02	7.17	7.40	7.64	7.31	7.47	7.71	7.96	7.56	7.72	7.97	8.24	
3372		Amps	14.9	15.2	15.7	16.2	16.0	16.3	16.9	17.5	17.3	17.7	18.2	18.9	18.4	18.8	19.5	20.2	19.6	20.0	20.7	21.4	20.7	21.2	21.8	22.6	
		Hi PR	225	242	256	267	253	272	287	299	287	309	326	340	327	352	372	388	368	396	418	436	407	438	462	482	
		Lo PR	103	109	119	127	109	116	126	134	113	120	131	140	119	126	138	147	124	132	144	154	129	137	149	159	

IDB: Entering Indoor Dry Bulb Temperature
 High and low pressures are measured at the liquid and suction service valves.
 Shaded area reflects ACCA (TVA) conditions
 Amps = outdoor unit amps (comp.+fan)
 kW = Total system power

EXPANDED COOLING DATA — Two DX13SA048* / DAT0904* (CONT.)

IDB	AIRFLOW	OUTDOOR AMBIENT TEMPERATURE												115°F																				
		65°F						75°F						85°F						95°F						105°F								
		59	63	67	71	75	79	59	63	67	71	75	79	59	63	67	71	75	79	59	63	67	71	75	79	59	63	67	71	75	79			
80	3372	MBh	89.3	91.2	97.4	104.2	87.2	89.1	95.2	101.7	85.1	87.0	92.9	99.3	83.0	84.8	90.6	96.9	80.6	82.4	88.0	94.1	76.6	78.2	83.6	89.4	70.9	72.5	77.4	82.8	73.1	74.7	79.8	85.3
		S/T	0.92	0.86	0.70	0.53	0.96	0.90	0.73	0.54	1.00	0.92	0.75	0.56	1.00	0.95	0.77	0.58	1.00	0.94	0.76	0.55	1.00	0.94	0.76	0.57	1.00	0.95	0.77	0.58	1.00	1.00	0.81	0.60
	ΔT	22	21	19	15	23	22	19	15	23	22	19	15	23	22	19	15	22	22	20	16	23	23	20	16	22	21	18	15	20	20	18	14	
	kW	6.10	6.22	6.42	6.62	6.56	6.69	6.90	7.12	6.96	7.11	7.33	7.57	7.31	7.47	7.71	7.97	7.62	7.78	8.04	8.30	7.62	7.78	8.04	8.30	7.88	8.05	8.31	8.59	7.88	8.05	8.31	8.59	
	Amps	15.5	15.9	16.3	16.9	16.7	17.1	17.6	18.2	18.1	18.5	19.1	19.8	19.3	19.7	20.3	21.1	20.4	20.9	21.6	22.4	20.4	20.9	21.6	22.4	21.6	22.1	22.8	23.7	21.6	22.1	22.8	23.7	
	Hi PR	237	255	269	281	266	286	302	315	302	325	343	358	344	370	391	408	387	416	440	459	387	416	440	459	428	460	486	507	428	460	486	507	
	Lo PR	108	115	126	134	114	122	133	141	119	126	138	147	125	133	145	154	131	139	152	162	131	139	152	162	135	144	157	167	135	144	157	167	
	3000	MBh	86.7	88.5	94.6	101.1	84.6	86.5	92.4	98.8	82.6	84.4	90.2	96.4	80.6	82.4	88.0	94.1	76.6	78.2	83.6	89.4	70.9	72.5	77.4	82.8	73.1	74.7	79.8	85.3				
		S/T	0.88	0.82	0.67	0.50	0.91	0.85	0.70	0.52	0.93	0.88	0.71	0.53	0.96	0.90	0.74	0.55	0.96	0.90	0.74	0.55	0.96	0.90	0.74	0.55	0.96	0.91	0.74	0.56	0.96	0.91	0.74	0.56
	2629	ΔT	23	22	19	16	24	23	20	16	24	23	20	16	24	23	20	16	24	23	20	16	24	23	20	16	22	21	18	15	22	21	18	15
kW		6.05	6.18	6.37	6.57	6.50	6.64	6.85	7.07	6.90	7.05	7.27	7.51	7.26	7.41	7.65	7.90	7.55	7.72	7.97	8.23	7.55	7.72	7.97	8.23	7.81	7.98	8.24	8.52	7.81	7.98	8.24	8.52	
85	3372	MBh	80.0	81.7	87.3	93.3	78.1	79.8	85.3	91.2	76.3	77.9	83.3	89.0	74.4	76.0	81.2	86.8	70.7	72.2	77.2	82.5	65.5	66.9	71.5	76.4	65.5	66.9	71.5	76.4				
		S/T	0.85	0.79	0.65	0.48	0.88	0.82	0.67	0.50	0.90	0.84	0.69	0.51	0.93	0.87	0.71	0.53	0.96	0.90	0.74	0.55	0.97	0.91	0.74	0.55	0.97	0.91	0.74	0.55				
	ΔT	24	23	20	16	24	23	20	16	24	23	20	16	24	23	20	16	24	23	20	16	24	23	20	16	22	21	19	15	22	21	19	15	
	kW	5.91	6.03	6.22	6.41	6.35	6.48	6.68	6.90	6.74	6.88	7.10	7.33	7.08	7.23	7.46	7.71	7.37	7.53	7.77	8.03	7.62	7.79	8.04	8.31	7.62	7.79	8.04	8.31					
	Amps	15.0	15.3	15.8	16.3	16.1	16.5	17.0	17.6	17.4	17.8	18.4	19.1	18.6	19.0	19.6	20.3	19.7	20.2	20.8	21.6	20.8	21.3	22.0	22.8	20.8	21.3	22.0	22.8					
	Hi PR	227	245	258	269	255	274	290	302	290	312	330	344	330	356	375	392	372	400	422	441	411	442	467	487	411	442	467	487					
	Lo PR	104	111	121	129	110	117	128	136	114	121	133	141	120	128	139	148	126	134	146	155	130	138	151	161	130	138	151	161					
	3372	MBh	90.8	92.6	97.0	103.4	88.7	90.4	94.7	101.0	86.6	88.3	92.4	98.6	84.5	86.1	90.2	96.2	80.3	81.8	85.7	91.4	74.3	75.8	79.4	84.7	74.3	75.8	79.4	84.7				
		S/T	0.97	0.93	0.84	0.68	1.00	0.97	0.87	0.71	1.00	0.99	0.89	0.73	1.00	1.00	0.92	0.75	1.00	1.00	0.96	0.78	1.00	1.00	0.92	0.75	1.00	1.00	0.92	0.75				
	3000	ΔT	24	24	22	19	24	24	23	19	24	24	23	20	23	23	20	16	22	22	22	19	20	21	21	18	20	21	21	18				
kW		6.15	6.27	6.47	6.67	6.61	6.75	6.96	7.18	7.01	7.16	7.39	7.63	7.37	7.53	7.78	8.03	7.68	7.85	8.10	8.37	7.94	8.12	8.38	8.66	7.94	8.12	8.38	8.66					
2629	Amps	15.6	16.0	16.5	17.1	16.8	17.2	17.8	18.4	18.2	18.6	19.2	19.9	19.4	19.9	20.5	21.3	20.6	21.1	21.8	22.6	21.8	22.3	23.1	23.9	21.8	22.3	23.1	23.9					
	Hi PR	239	257	272	283	268	289	305	318	305	328	347	362	347	374	395	412	391	421	444	463	432	465	491	512	432	465	491	512					
85	3372	MBh	88.2	89.9	94.1	100.4	86.1	87.8	91.9	98.1	84.1	85.7	89.7	95.7	82.0	83.6	87.6	93.4	77.9	79.4	83.2	88.7	72.2	73.6	77.1	82.2	72.2	73.6	77.1	82.2				
		S/T	0.92	0.89	0.80	0.65	0.95	0.92	0.83	0.67	0.98	0.94	0.85	0.69	1.00	0.98	0.88	0.71	1.00	1.00	0.91	0.74	1.00	1.00	0.92	0.75	1.00	1.00	0.92	0.75				
	ΔT	25	24	23	20	25	25	23	20	25	25	23	20	25	25	24	20	24	24	23	20	22	23	22	19	22	23	22	19					
	kW	6.10	6.22	6.42	6.62	6.56	6.69	6.90	7.12	6.96	7.11	7.33	7.57	7.31	7.47	7.71	7.97	7.62	7.78	8.04	8.30	7.88	8.05	8.31	8.59	7.88	8.05	8.31	8.59					
	Amps	15.5	15.9	16.3	16.9	16.7	17.1	17.6	18.2	18.1	18.5	19.1	19.8	19.3	19.7	20.3	21.1	20.4	20.9	21.6	22.4	21.6	22.1	22.8	23.7	21.6	22.1	22.8	23.7					
	Hi PR	237	255	269	281	266	286	302	315	302	325	343	358	344	370	391	408	387	416	440	459	428	460	486	507	428	460	486	507					
	Lo PR	108	115	126	134	114	122	133	141	119	126	138	147	125	133	145	154	131	139	152	162	135	144	157	167	135	144	157	167					
	3000	MBh	81.4	83.0	86.9	92.7	79.5	81.0	84.9	90.5	77.6	79.1	82.8	88.4	75.7	77.2	80.8	86.2	71.9	73.3	76.8	81.9	66.6	67.9	71.1	75.9	66.6	67.9	71.1	75.9				
		S/T	0.89	0.86	0.77	0.63	0.92	0.89	0.80	0.65	0.94	0.91	0.82	0.67	0.97	0.94	0.85	0.69	1.00	0.98	0.88	0.71	1.00	0.98	0.89	0.72	1.00	0.98	0.89	0.72				
	2629	ΔT	25	25	24	20	26	25	24	21	26	25	24	21	26	25	24	21	25	25	24	20	23	23	22	19	23	23	22	19				
kW		5.96	6.08	6.27	6.46	6.40	6.53	6.74	6.95	6.79	6.94	7.15	7.39	7.14	7.29	7.52	7.77	7.43	7.59	7.84	8.09	7.68	7.85	8.11	8.37	7.68	7.85	8.11	8.37					
85	3372	Amps	15.1	15.5	15.9	16.5	16.3	16.6	17.2	17.8	17.6	18.0	18.6	19.2	18.7	19.2	19.8	20.5	19.9	20.4	21.0	21.8	21.0	21.5	22.2	23.0	21.0	21.5	22.2	23.0				
		Hi PR	230	247	261	272	258	277	293	305	293	315	333	347	334	359	379	395	375	404	427	445	415	446	471	492	415	446	471	492				
	Lo PR	105	112	122	130	111	118	129	137	115	123	134	143	121	129	141	150	127	135	147	157	131	140	152	162	131	140	152	162					

IDB: Entering Indoor Dry Bulb Temperature
 High and low pressures are measured at the liquid and suction service valves.
 Shaded area reflects AHRI conditions
 Amps = outdoor unit amps (comp.+fan)
 kW = Total system power

EXPANDED COOLING DATA — Two DX13SA060* / DAT1204*

IDB	AIRFLOW	OUTDOOR AMBIENT TEMPERATURE												ENTERING INDOOR WET BULB TEMPERATURE											
		65°F				75°F				85°F				95°F				105°F				115°F			
		59	63	67	71	59	63	67	71	59	63	67	71	59	63	67	71	59	63	67	71	59	63	67	71
70	MBh	111.7	115.8	126.9	-	109.1	113.1	123.9	-	106.5	110.4	121.0	-	103.9	107.7	118.0	-	98.7	102.3	112.1	-	91.4	94.8	103.8	-
	S/T	0.76	0.64	0.44	-	0.79	0.66	0.46	-	0.81	0.68	0.47	-	0.84	0.70	0.48	-	0.87	0.73	0.50	-	0.88	0.73	0.51	-
	ΔT	17	15	11	-	18	15	12	-	18	15	12	-	18	15	12	-	18	15	12	-	16	14	11	-
	kW	7.95	8.11	8.37	-	8.55	8.74	9.02	-	9.09	9.29	9.59	-	9.56	9.77	10.09	-	9.97	10.19	10.52	-	10.31	10.54	10.89	-
	Amps	21.4	21.9	22.6	-	23.1	23.6	24.4	-	25.0	25.6	26.5	-	26.7	27.4	28.3	-	28.4	29.1	30.1	-	30.1	30.8	31.8	-
	Hi PR	243	261	276	-	272	293	310	-	310	333	352	-	353	380	401	-	397	427	451	-	439	472	498	-
	Lo PR	106	112	123	-	112	119	130	-	116	123	135	-	122	130	142	-	128	136	148	-	132	141	153	-
	MBh	108.5	112.4	123.2	-	105.9	109.8	120.3	-	103.4	107.2	117.4	-	100.9	104.6	114.6	-	95.8	99.3	108.8	-	88.8	92.0	100.8	-
	S/T	0.73	0.61	0.42	-	0.75	0.63	0.44	-	0.77	0.65	0.45	-	0.80	0.67	0.46	-	0.83	0.69	0.48	-	0.84	0.70	0.48	-
	ΔT	18	16	12	-	18	16	12	-	18	16	12	-	19	16	12	-	18	16	12	-	17	15	11	-
	kW	7.88	8.05	8.30	-	8.48	8.67	8.94	-	9.02	9.21	9.51	-	9.48	9.69	10.01	-	9.88	10.10	10.44	-	10.23	10.45	10.80	-
	Amps	21.2	21.7	22.4	-	22.9	23.4	24.2	-	24.8	25.4	26.2	-	26.5	27.1	28.0	-	28.1	28.8	29.8	-	29.8	30.5	31.5	-
Hi PR	240	259	273	-	270	290	307	-	307	330	349	-	349	376	397	-	393	423	447	-	434	467	494	-	
Lo PR	105	111	122	-	111	118	128	-	115	122	133	-	121	128	140	-	126	135	147	-	131	139	152	-	
MBh	100.1	103.8	113.7	-	97.8	101.3	111.0	-	95.4	98.9	108.4	-	93.1	96.5	105.7	-	88.5	91.7	100.5	-	81.9	84.9	93.1	-	
S/T	0.70	0.59	0.41	-	0.73	0.61	0.42	-	0.75	0.62	0.43	-	0.77	0.64	0.45	-	0.80	0.67	0.46	-	0.81	0.67	0.47	-	
ΔT	18	16	12	-	19	16	12	-	19	16	12	-	19	16	12	-	19	16	12	-	17	15	11	-	
kW	7.70	7.86	8.10	-	8.28	8.46	8.72	-	8.80	8.99	9.27	-	9.25	9.45	9.76	-	9.64	9.85	10.17	-	9.97	10.19	10.53	-	
Amps	20.6	21.1	21.8	-	22.3	22.8	23.5	-	24.1	24.7	25.5	-	25.8	26.4	27.2	-	27.4	28.0	29.0	-	29.0	29.7	30.7	-	
Hi PR	233	251	265	-	262	282	297	-	298	320	338	-	339	365	385	-	381	410	433	-	421	453	479	-	
Lo PR	101	108	118	-	107	114	125	-	111	119	129	-	117	125	136	-	123	130	142	-	127	135	147	-	
75	MBh	113.6	117.0	126.6	135.9	111.0	114.2	123.7	132.7	108.3	111.5	120.7	129.6	105.7	108.8	117.8	126.4	100.4	103.4	111.9	120.1	93.0	95.7	103.6	111.2
	S/T	0.87	0.78	0.59	0.38	0.90	0.80	0.61	0.39	0.92	0.82	0.62	0.40	0.95	0.85	0.64	0.41	0.99	0.88	0.67	0.43	1.00	0.89	0.67	0.43
	ΔT	20	19	15	11	20	19	15	11	20	19	15	11	21	19	16	11	20	19	15	11	19	17	14	10
	kW	8.01	8.18	8.44	8.71	8.62	8.81	9.09	9.39	9.17	9.36	9.67	9.99	9.64	9.86	10.18	10.52	10.05	10.27	10.61	10.97	10.40	10.63	10.99	11.36
	Amps	21.6	22.1	22.8	23.6	23.3	23.8	24.6	25.5	25.3	25.9	26.7	27.7	27.0	27.6	28.5	29.6	28.7	29.4	30.3	31.5	30.4	31.1	32.1	33.3
	Hi PR	245	264	279	291	275	296	313	326	313	337	356	371	356	384	405	423	401	432	456	475	443	477	504	525
	Lo PR	107	114	124	132	113	120	131	139	117	125	136	145	123	131	143	152	129	137	150	160	133	142	155	165
	MBh	110.3	113.6	122.9	131.9	107.7	110.9	120.1	128.9	105.2	108.3	117.2	125.8	102.6	105.6	114.3	122.7	97.5	100.4	108.6	116.6	90.3	93.0	100.6	108.0
	S/T	0.83	0.74	0.56	0.36	0.86	0.77	0.58	0.37	0.88	0.79	0.60	0.38	0.91	0.81	0.61	0.40	0.94	0.84	0.64	0.41	0.95	0.85	0.64	0.41
	ΔT	21	19	16	11	21	20	16	11	21	20	16	11	21	20	16	11	21	19	16	11	20	18	15	10
	kW	7.95	8.11	8.37	8.64	8.55	8.74	9.02	9.31	9.09	9.29	9.59	9.91	9.56	9.77	10.09	10.43	9.97	10.19	10.52	10.88	10.31	10.54	10.90	11.26
	Amps	21.4	21.9	22.6	23.4	23.1	23.6	24.4	25.3	25.0	25.6	26.5	27.4	26.7	27.4	28.3	29.3	28.4	29.1	30.1	31.2	30.1	30.8	31.8	33.0
Hi PR	243	261	276	288	272	293	310	323	310	333	352	367	353	380	401	418	397	427	451	471	439	472	499	520	
Lo PR	106	112	123	131	112	119	130	138	116	123	135	144	122	130	142	151	128	136	148	158	132	141	153	163	
MBh	101.8	104.8	113.5	121.8	99.4	102.4	110.8	118.9	97.1	99.9	108.2	116.1	94.7	97.5	105.5	113.3	90.0	92.6	100.3	107.6	83.3	85.8	92.9	99.7	
S/T	0.80	0.71	0.54	0.35	0.83	0.74	0.56	0.36	0.85	0.76	0.57	0.37	0.88	0.78	0.59	0.38	0.91	0.81	0.62	0.40	0.92	0.82	0.62	0.40	
ΔT	21	20	16	11	22	20	16	11	22	20	16	11	22	20	16	11	21	20	16	11	20	18	15	10	
kW	7.76	7.92	8.17	8.43	8.35	8.53	8.80	9.08	8.87	9.06	9.35	9.66	9.33	9.53	9.84	10.17	9.72	9.93	10.26	10.60	10.05	10.28	10.62	10.98	
Amps	20.8	21.3	22.0	22.8	22.5	23.0	23.7	24.6	24.4	24.9	25.7	26.7	26.0	26.6	27.5	28.5	27.6	28.3	29.2	30.3	29.3	30.0	31.0	32.1	
Hi PR	236	253	268	279	264	284	300	313	301	323	342	356	342	368	389	406	385	415	438	457	426	458	484	504	
Lo PR	103	109	119	127	108	115	126	134	113	120	131	139	118	126	137	146	124	132	144	153	128	136	149	159	

Amps = outdoor unit amps (comp.+fan)
kW = Total system power

Shaded area reflects ACCA (TVA) conditions

IDB: Entering Indoor Dry Bulb Temperature
High and low pressures are measured at the liquid and suction service valves.

EXPANDED COOLING DATA — Two DX13SA060* / DAT1204* (CONT.)

IDB	AIRFLOW	OUTDOOR AMBIENT TEMPERATURE												ENTERING INDOOR WET BULB TEMPERATURE												
		65°F				75°F				85°F				95°F				105°F				115°F				
		59	63	67	71	59	63	67	71	59	63	67	71	59	63	67	71	59	63	67	71	59	63	67	71	
80	4496	MBh	115.6	118.1	126.2	134.9	112.9	115.4	123.3	131.8	110.2	112.7	120.4	128.7	107.6	109.9	117.4	125.5	102.2	104.4	111.5	119.2	94.6	96.7	103.3	110.5
		S/T	0.95	0.89	0.73	0.54	1.00	0.93	0.75	0.56	1.00	0.95	0.77	0.58	1.00	1.00	0.80	0.60	1.00	1.00	0.83	0.62	1.00	1.00	0.83	0.62
		ΔT	23	22	19	15	23	22	19	15	22	22	19	15	22	22	19	15	21	21	19	15	19	20	18	14
		kW	8.07	8.24	8.50	8.78	8.69	8.88	9.17	9.46	9.24	9.44	9.75	10.07	9.72	9.94	10.27	10.61	10.13	10.36	10.70	11.06	10.49	10.72	11.08	11.46
		Amps	21.8	22.3	23.0	23.8	23.5	24.0	24.8	25.7	25.5	26.1	26.9	27.9	27.2	27.9	28.8	29.9	28.9	29.6	30.6	31.8	30.6	31.4	32.4	33.7
	3505	Hi PR	248	267	282	294	278	299	316	329	316	340	359	375	360	388	409	427	405	436	460	480	448	482	509	531
		Lo PR	108	115	125	133	114	121	132	141	118	126	137	146	124	132	144	154	130	139	151	161	135	143	157	167
		MBh	112.3	114.7	122.6	131.0	109.6	112.0	119.7	128.0	107.0	109.4	116.9	124.9	104.4	106.7	114.0	121.9	99.2	101.4	108.3	115.8	91.9	93.9	100.3	107.2
		S/T	0.91	0.85	0.69	0.52	0.94	0.88	0.72	0.54	0.96	0.90	0.74	0.55	1.00	0.93	0.76	0.57	1.00	0.97	0.79	0.59	1.00	0.98	0.80	0.59
		ΔT	23	22	20	16	24	23	20	16	24	23	20	16	24	23	20	16	23	23	20	16	21	21	18	15
3505	kW	8.01	8.18	8.44	8.71	8.62	8.81	9.09	9.39	9.17	9.37	9.67	9.99	9.64	9.86	10.18	10.52	10.05	10.27	10.61	10.97	10.40	10.63	10.99	11.36	
	Amps	21.6	22.1	22.8	23.6	23.3	23.8	24.6	25.5	25.3	25.9	26.7	27.7	27.0	27.6	28.5	29.6	28.7	29.4	30.3	31.5	30.4	31.1	32.1	33.3	
	Hi PR	245	264	279	291	275	296	313	326	313	337	356	371	357	384	405	423	401	432	456	475	443	477	504	525	
	Lo PR	107	114	124	132	113	120	131	140	117	125	136	145	123	131	143	152	129	137	150	160	133	142	155	165	
	MBh	103.6	105.9	113.1	120.9	101.2	103.4	110.5	118.1	98.8	100.9	107.9	115.3	96.4	98.5	105.2	112.5	91.6	93.6	100.0	106.9	84.8	86.7	92.6	99.0	
85	4496	S/T	0.88	0.82	0.67	0.50	0.91	0.85	0.69	0.52	0.93	0.87	0.71	0.53	0.96	0.90	0.73	0.55	1.00	0.93	0.76	0.57	1.00	0.94	0.77	0.57
		ΔT	24	23	20	16	24	23	20	16	24	23	20	16	24	23	20	16	24	23	20	16	22	21	19	15
		kW	7.82	7.98	8.23	8.50	8.42	8.60	8.87	9.16	8.94	9.13	9.43	9.74	9.40	9.61	9.92	10.25	9.80	10.02	10.35	10.69	10.14	10.37	10.71	11.07
		Amps	21.0	21.5	22.2	23.0	22.7	23.2	23.9	24.8	24.6	25.2	26.0	26.9	26.2	26.9	27.7	28.8	27.9	28.6	29.5	30.6	29.5	30.2	31.2	32.4
		Hi PR	238	256	270	282	267	287	303	316	304	327	345	360	346	372	393	410	389	419	442	461	430	463	488	509
	3505	Lo PR	104	110	120	128	109	116	127	135	114	121	132	141	119	127	139	148	125	133	145	155	129	138	150	160
		MBh	117.6	119.9	125.6	134.0	114.9	117.1	122.7	130.9	112.2	114.3	119.8	127.8	109.4	111.6	116.8	124.6	104.0	106.0	111.0	118.4	96.3	98.2	102.8	109.7
		S/T	1.00	0.96	0.87	0.70	1.00	1.00	0.90	0.73	1.00	1.00	0.92	0.75	1.00	1.00	0.95	0.77	1.00	1.00	0.99	0.80	1.00	1.00	1.00	0.81
		ΔT	24	24	22	19	23	24	23	20	23	23	23	20	22	23	23	20	21	22	22	19	20	20	21	18
		kW	8.14	8.31	8.57	8.85	8.76	8.95	9.24	9.54	9.32	9.52	9.83	10.16	9.80	10.02	10.35	10.70	10.22	10.45	10.79	11.16	10.58	10.81	11.18	11.56
4496	Amps	21.9	22.5	23.2	24.0	23.7	24.3	25.0	26.0	25.7	26.3	27.2	28.2	27.5	28.1	29.0	30.1	29.2	29.9	30.9	32.1	30.9	31.7	32.7	34.0	
	Hi PR	250	269	284	297	281	302	319	333	319	344	363	378	364	391	413	431	409	440	465	485	452	486	514	536	
	Lo PR	109	116	126	135	115	122	134	142	120	127	139	148	126	134	146	155	132	140	153	163	136	145	158	168	
	MBh	114.2	116.4	121.9	130.1	111.6	113.7	119.1	127.1	108.9	111.0	116.3	124.0	106.2	108.3	113.4	121.0	100.9	102.9	107.8	115.0	93.5	95.3	99.8	106.5	
	S/T	0.95	0.92	0.83	0.67	0.99	0.95	0.86	0.70	1.00	0.98	0.88	0.71	1.00	1.00	0.91	0.74	1.00	1.00	0.94	0.77	1.00	1.00	0.95	0.77	
4000	ΔT	25	25	23	20	25	25	24	20	25	25	24	20	24	25	24	21	23	24	23	20	21	22	22	19	
	kW	8.07	8.24	8.50	8.78	8.69	8.88	9.17	9.46	9.24	9.44	9.75	10.07	9.72	9.94	10.27	10.61	10.13	10.36	10.70	11.06	10.49	10.72	11.08	11.46	
	Amps	21.8	22.3	23.0	23.8	23.5	24.0	24.8	25.7	25.5	26.1	26.9	27.9	27.2	27.9	28.8	29.9	28.9	29.6	30.6	31.8	30.6	31.4	32.4	33.7	
	Hi PR	248	267	282	294	278	299	316	329	316	340	359	375	360	388	409	427	405	436	460	480	448	482	509	531	
	Lo PR	108	115	125	133	114	121	132	141	118	126	137	146	124	132	144	154	130	139	151	161	135	143	157	167	
3505	MBh	105.4	107.5	112.5	120.1	103.0	105.0	109.9	117.3	100.5	102.5	107.3	114.5	98.1	100.0	104.7	111.7	93.2	95.0	99.5	106.1	86.3	88.0	92.1	98.3	
	S/T	0.92	0.89	0.80	0.65	0.95	0.92	0.83	0.67	0.98	0.94	0.85	0.69	1.00	0.97	0.88	0.71	1.00	1.00	0.91	0.74	1.00	1.00	0.92	0.74	
	ΔT	25	25	24	20	26	25	24	21	26	25	24	21	26	25	24	21	24	25	24	21	23	23	22	19	
	kW	7.88	8.05	8.30	8.56	8.48	8.66	8.94	9.23	9.01	9.21	9.51	9.82	9.48	9.69	10.01	10.34	9.88	10.10	10.43	10.78	10.22	10.45	10.80	11.16	
	Amps	21.2	21.7	22.4	23.2	22.9	23.4	24.2	25.0	24.8	25.4	26.2	27.2	26.5	27.1	28.0	29.0	28.1	28.8	29.8	30.9	29.8	30.5	31.5	32.7	
3505	Hi PR	240	259	273	285	270	290	306	320	307	330	349	363	349	376	397	414	393	423	447	466	434	467	493	515	
	Lo PR	105	111	121	129	110	118	128	137	115	122	133	142	121	128	140	149	126	134	147	156	131	139	152	162	

IDB: Entering Indoor Dry Bulb Temperature
 High and low pressures are measured at the liquid and suction service valves.
 Shaded area reflects AHRI conditions
 Amps = outdoor unit amps (comp.+fan)
 kW = Total system power

AHRI PERFORMANCE RATINGS — DX11SA

OUTDOOR UNIT	INDOOR UNIT	COOLING CAPACITY ¹		EER / IEER ²	AHRI #
		TOTAL	SENSIBLE		
DX11SA0903A*	DAR0904A*	88,000	63,000	11.2 / 11.5	6334521
	(2) CA*F4961*6D+TXV	88,000	62,000	11.2 / 11.5	6334520
DX11SA0904A*	DAR0904A*	88,000	63,000	11.2 / 11.5	6334523
	(2) CA*F4961*6D+TXV	88,000	62,000	11.2 / 11.5	6334522
DX11SA1203A*	DAR1204A*	114,000	82,000	11.2 / 11.5	6334525
	(2) CA*F4961*6D+TXV	110,000	76,000	11.2 / 11.5	6334524
DX11SA1204A*	DAR1204A*	112,000	80,000	11.2 / 11.5	6334527
	(2) CA*F4961*6D+TXV	110,000	76,000	11.2 / 11.5	6334526

¹ BTU/h

² EER = Energy Efficiency Ratio; IEER = Integrated Energy Efficiency Ratio

AHRI PERFORMANCE RATINGS — TWO-SPEED SYSTEMS

OUTDOOR UNIT	INDOOR UNIT	DESCRIPTION	COOLING CAPACITY ¹	EER ²	IEER ³	AHRI #
Two DX13SA0483**	DAT09043**	208/230V, 3-Phase, 7.5-Ton Capacity	88,000 / 88,000	11.5 / 11.5	14 / 14	7500104
Two DX13SA0484**	DAT09044**	460V, 3-Phase, 7.5-Ton Capacity	88,000	11.5	14	7500105
Two DX13SA0603**	DAT12043**	208/230V, 3-Phase, 10-Ton Capacity	114,000 / 114,000	11.2 / 11.2	14 / 14	7500106
Two DX13SA0604**	DAT12044**	460V, 3-Phase, 7.5-Ton Capacity	114,000	11.2	14	7500107

¹ BTU/h

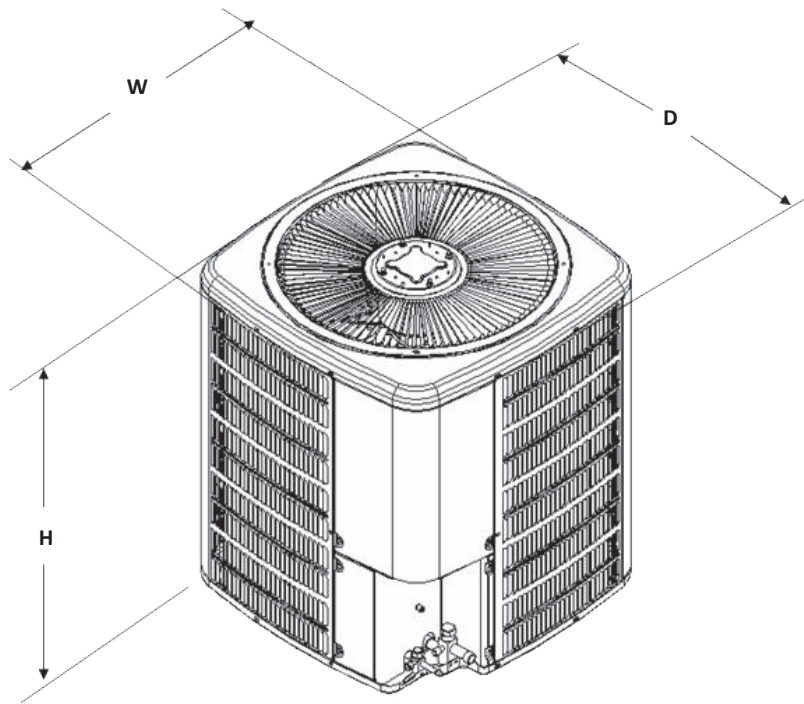
² EER = Energy Efficiency Ratio @ 80°F/67°F; Inside, 95°F

³ IEER = International Energy Efficiency Ratio @ 80°F/67°F; Inside, 95°F

TWO-SPEED AIR HANDLER NOTES

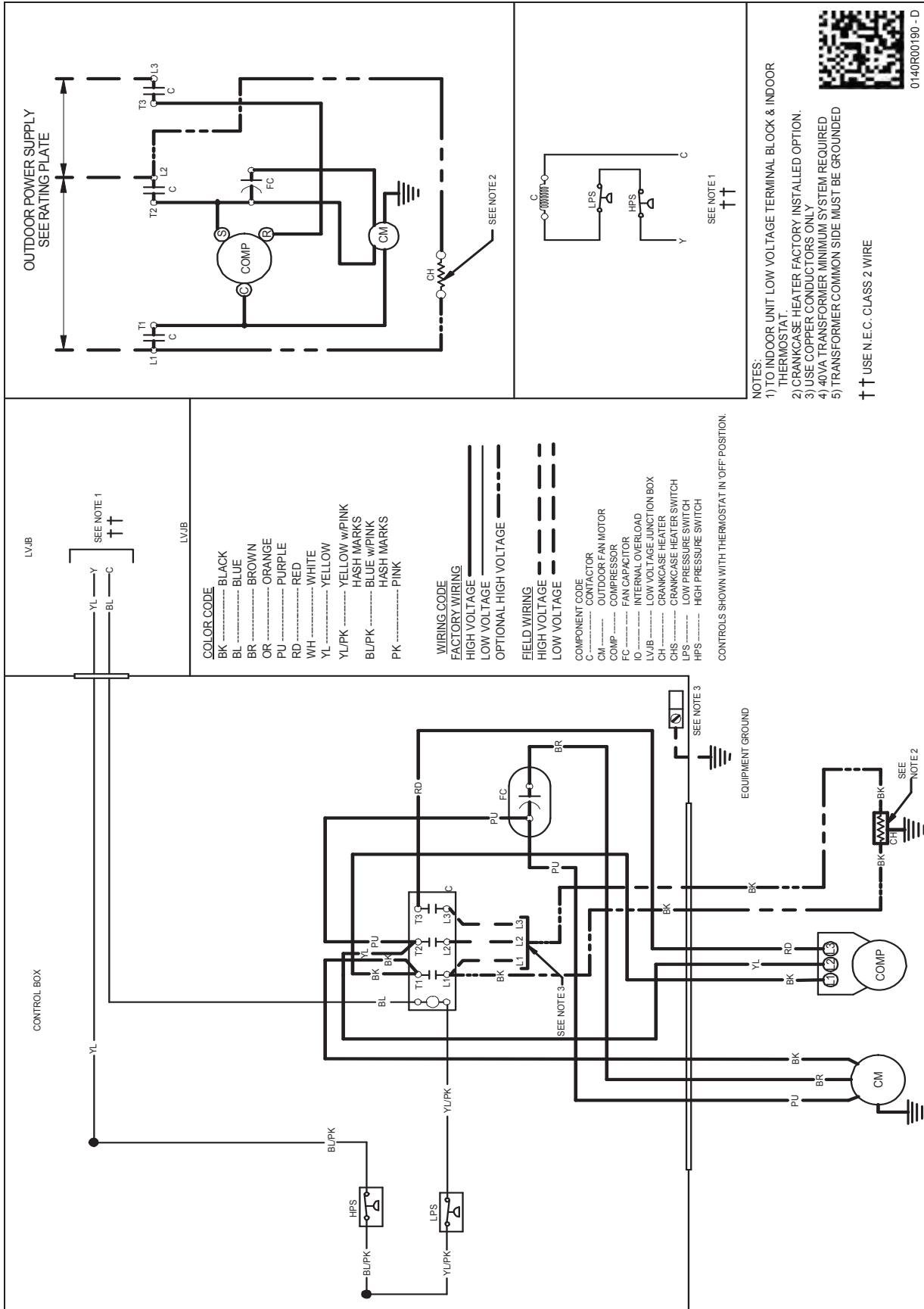
- For 7½-ton two-speed air handler: unit is circuited with two 4-ton air conditioning systems.
- For 10-ton two-speed air handler: unit is circuited with two 5-ton air conditioning systems.
- For technical details regarding the DX13SA and DAT series product specifications, go to: <http://daikincomfort.com/commercial/split-systems>

DIMENSIONS



11 EER MODELS	DIMENSIONS		
	W"	D"	H"
DX11SA0903A*	35½	35½	37½
DX11SA0904A*	35½	35½	37½
DX11SA1203A*	35½	35½	41½
DX11SA1204A*	35½	35½	41½

WIRING DIAGRAM — DX11SA(090-120)3**/4**



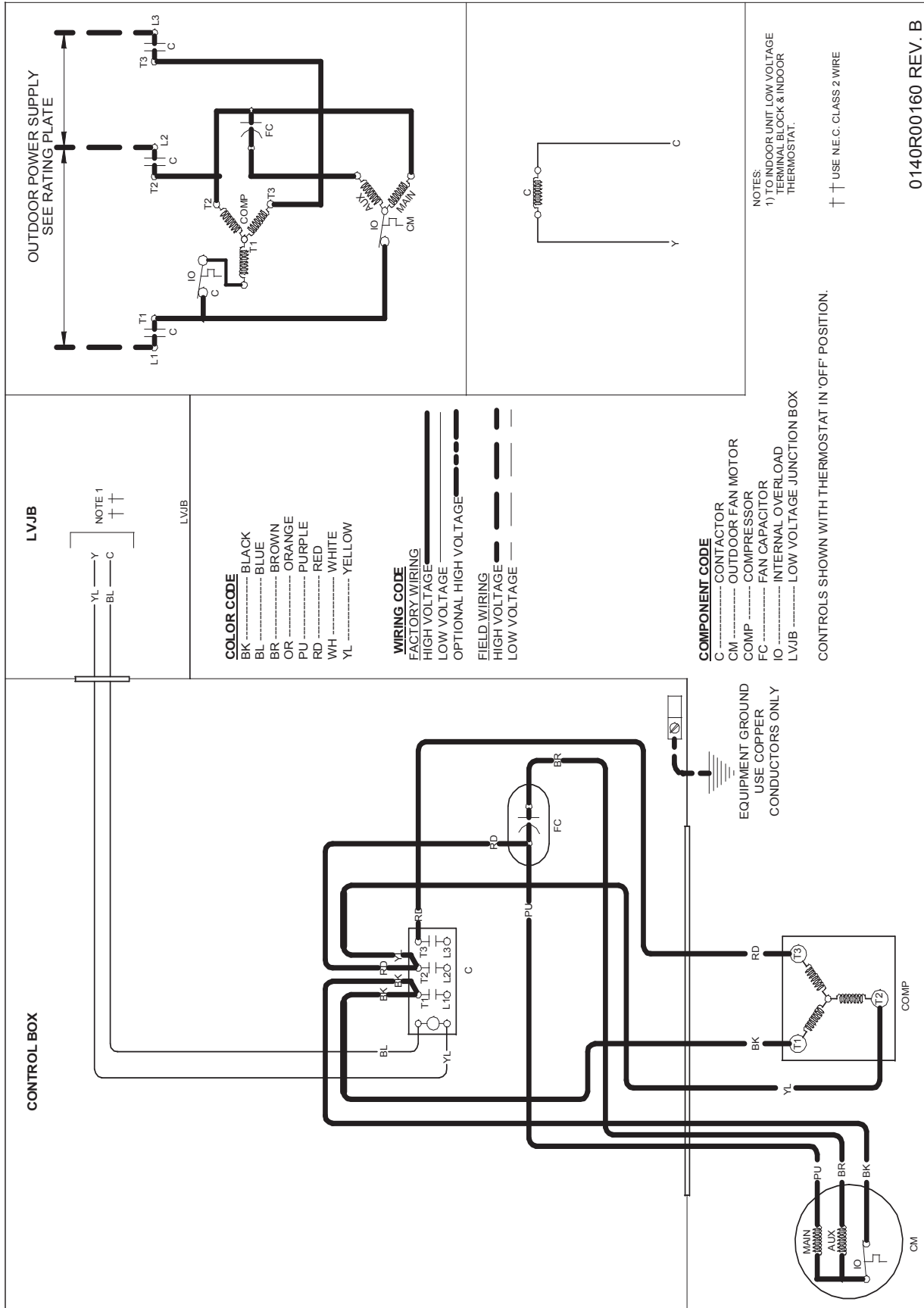
High Voltage: Disconnect all power before servicing or installing this unit. Multiple power sources may be present. Failure to do so may cause property damage, personal injury, or death.



WARNING

Wiring is subject to change. Always refer to the wiring diagram or the unit for the most up-to-date wiring.

WIRING DIAGRAM — DX13SA(048-060)3**/4**



WARNING

High Voltage: Disconnect all power before servicing or installing this unit. Multiple power sources may be present. Failure to do so may cause property damage, personal injury, or death.

Wiring is subject to change. Always refer to the wiring diagram or the unit for the most up-to-date wiring.

ACCESSORIES — DX11SA

MODEL	DESCRIPTION
ABK-20	Anchor Bracket Kit [°]
HPTD18-60	Digital room thermostat with 1-stage cool/1-stage heat
HPT18-60	Standard room thermostat with 1-stage cool/1-stage heat
FSK01A	Freeze Protection Kit ¹
LA-01	Low Ambient Kit

[°] Contains 20 brackets; four brackets needed to anchor unit to pad

¹ Installed on indoor coil