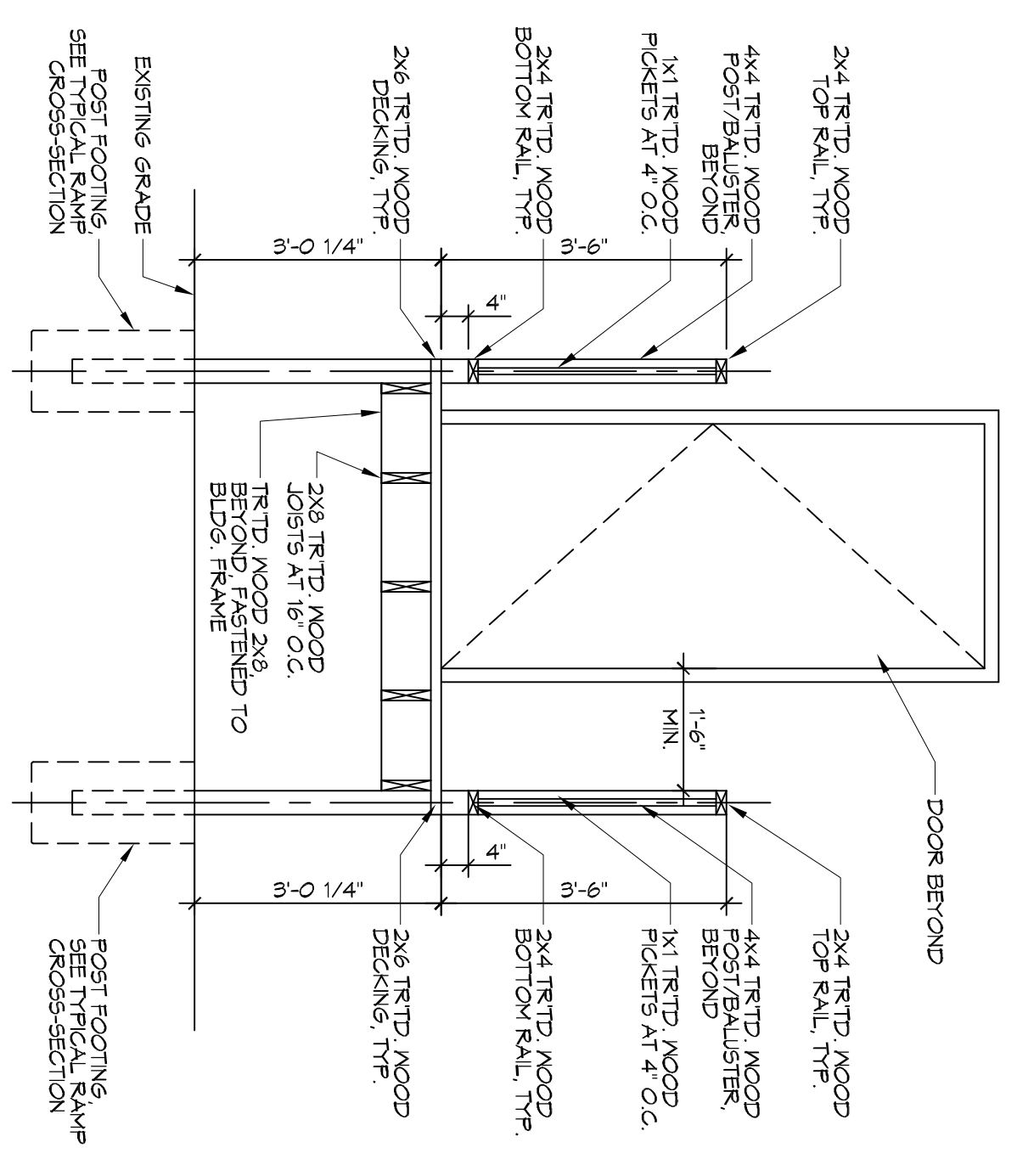
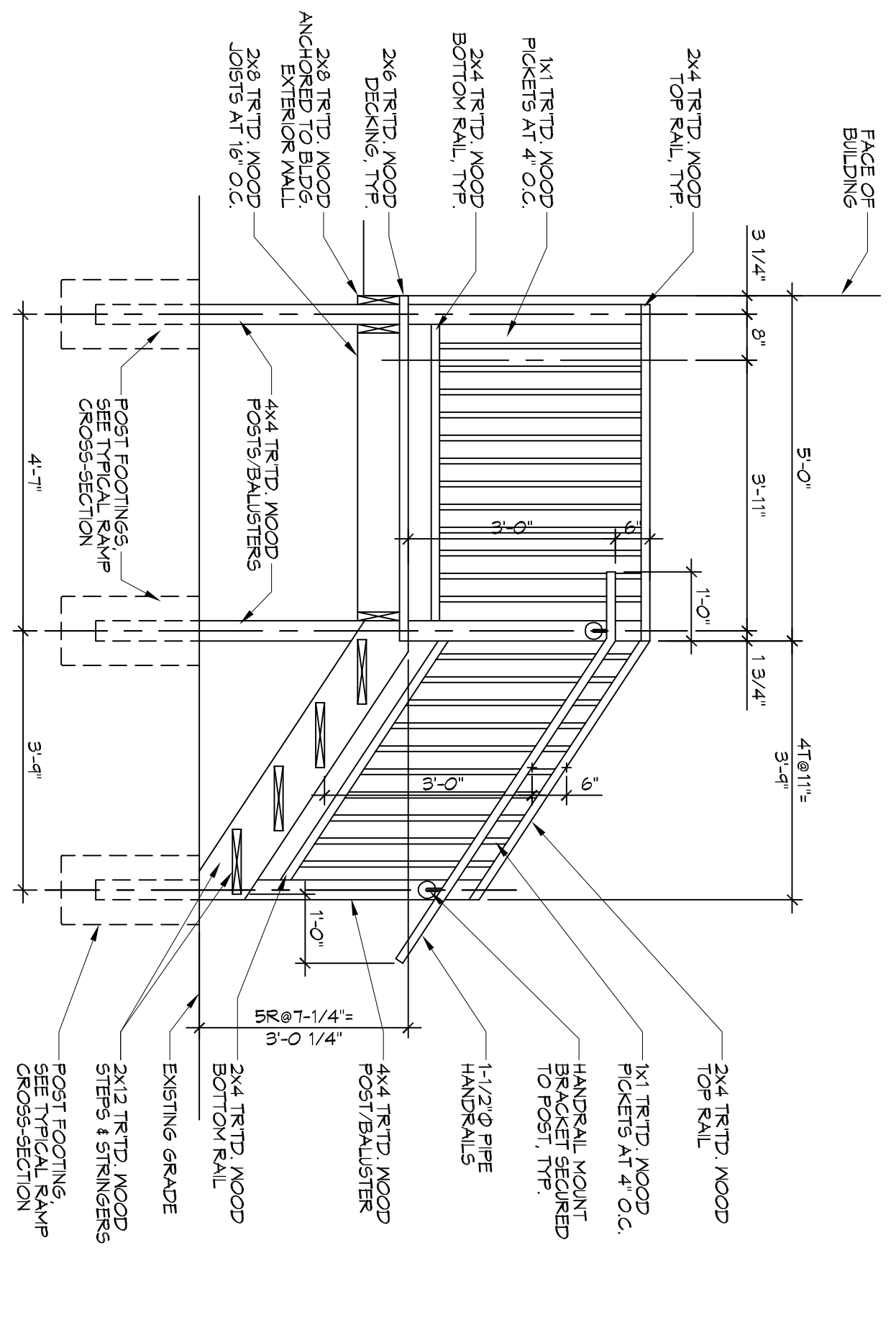


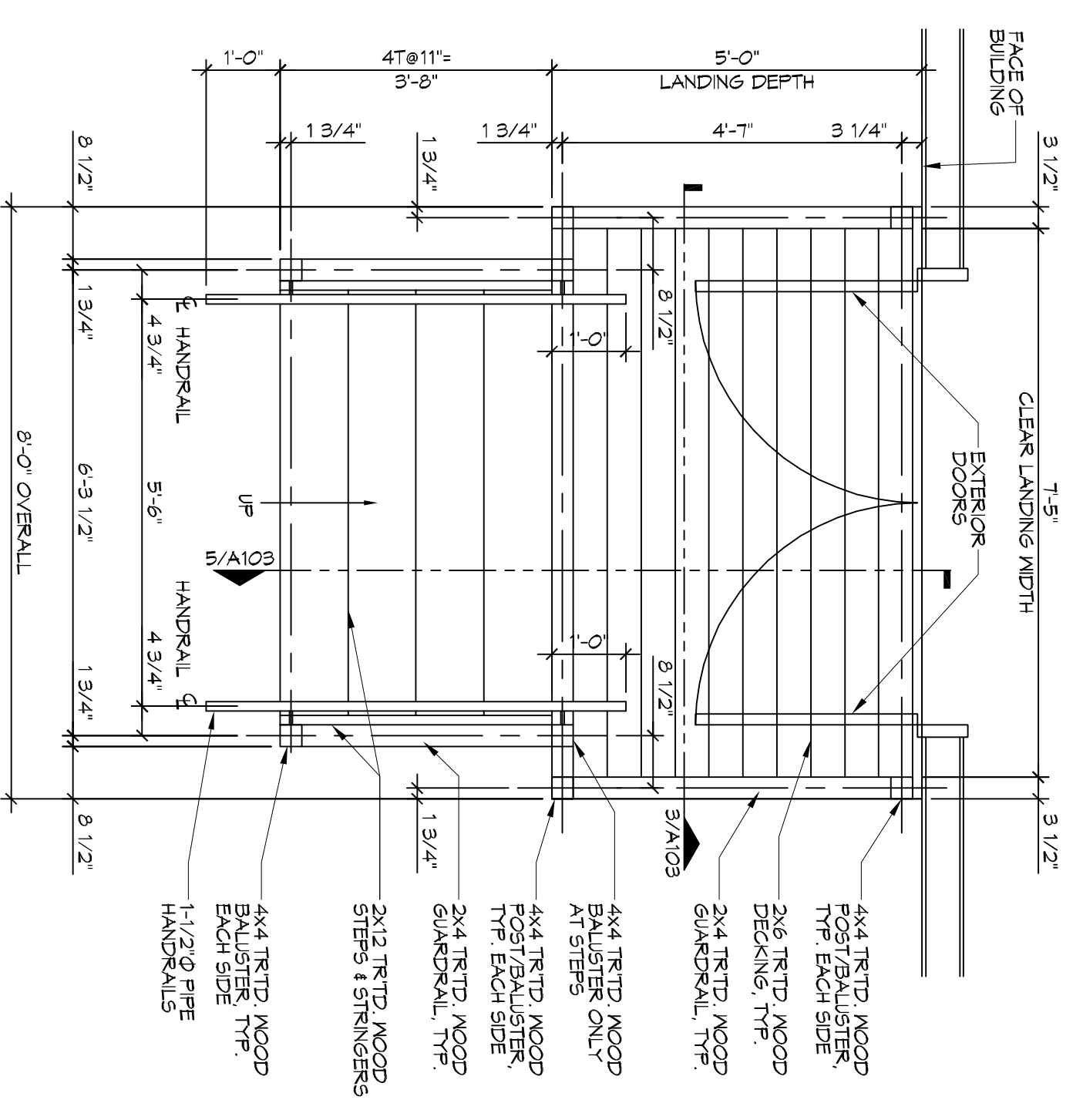
3 PORCH SECTION
SCALE: 1/2"=1'-0"
PORCH AT DOUBLE EXTERIOR DOOR



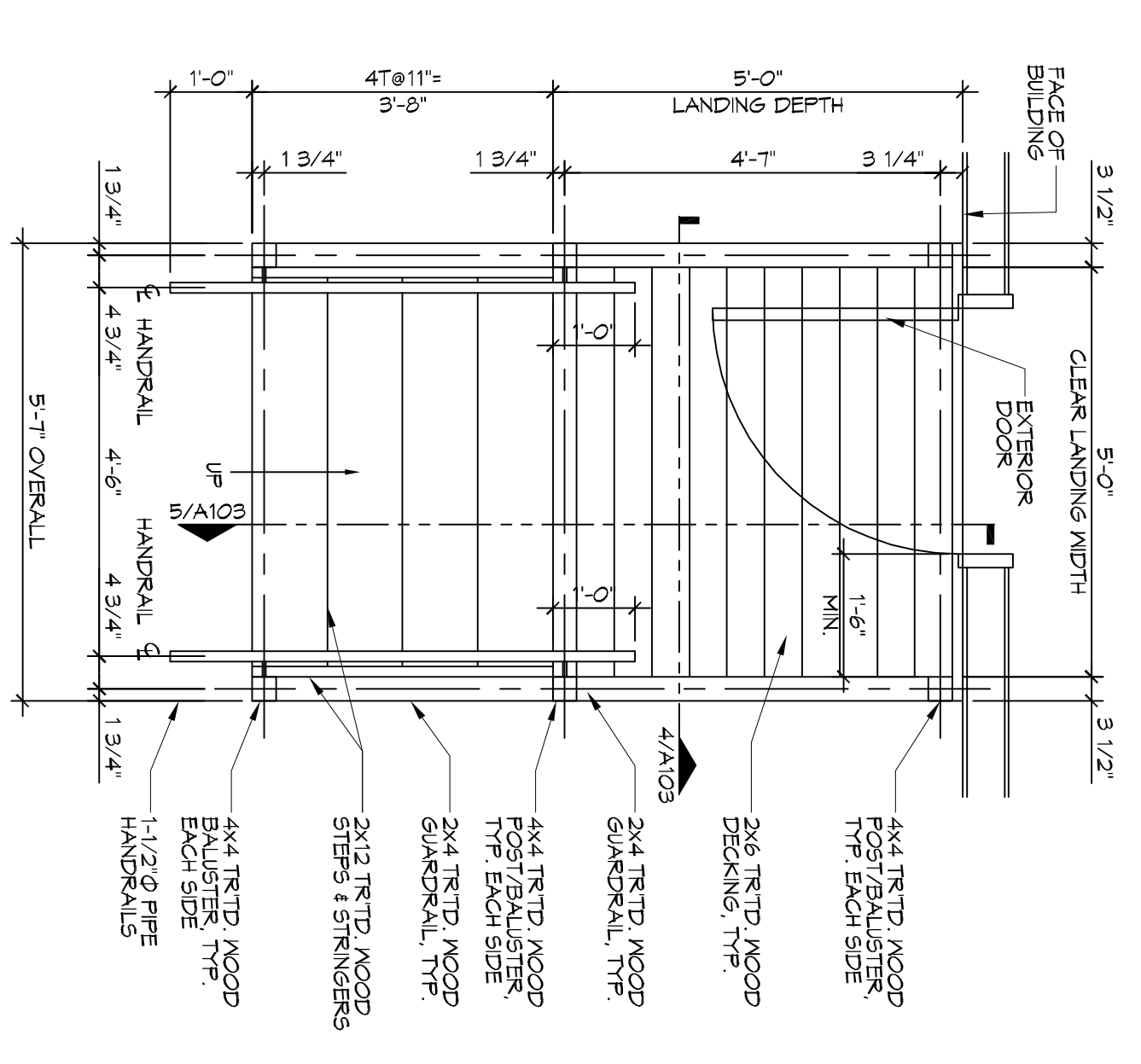
4 PORCH SECTION
SCALE: 1/2"=1'-0"
PORCH AT SINGLE EXTERIOR DOOR



5 STAIR PORCH & STAIR SECTION
SCALE: 1/2"=1'-0"
PORCH AT SINGLE OR DOUBLE EXTERIOR DOOR



2 PORCH / STAIRS PLAN
SCALE: 1/2"=1'-0"
PORCH & STAIRS AT DOUBLE EXTERIOR DOOR



1 PORCH / STAIRS PLAN
SCALE: 1/2"=1'-0"
PORCH & STAIRS AT SINGLE EXTERIOR DOOR

DAMMON ENGINEERING, INC.
LOUISIANA & MISSISSIPPI

Chief Engineer: Brian Mistich, PE
554 Old Spanish Trail
Sudell, LA 70458
info@dammonengineering.com
PH: 985.649.5832 F: 985.641.5950

REVISIONS		DATE
#	DESCRIPTION	

W > L O > I > A > N > L O > I > U > I > U > U

3770 LEGGETT ROAD
SLIDELL, LA 70460

JOB No: 2295 DATE: 09/02/2016
DRAWN BY: JTL CHECKED BY: BAM

A103

9 OF 15