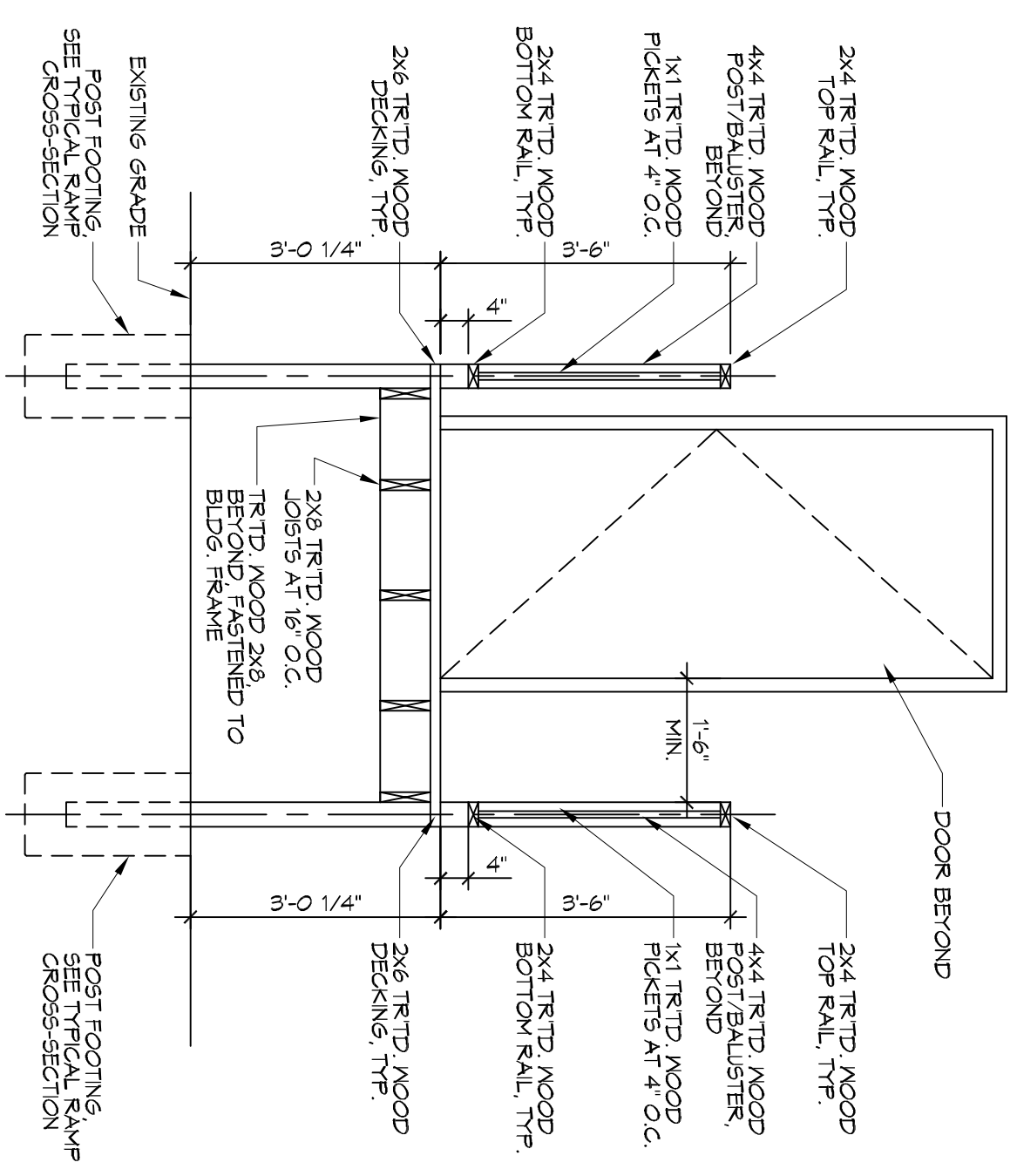
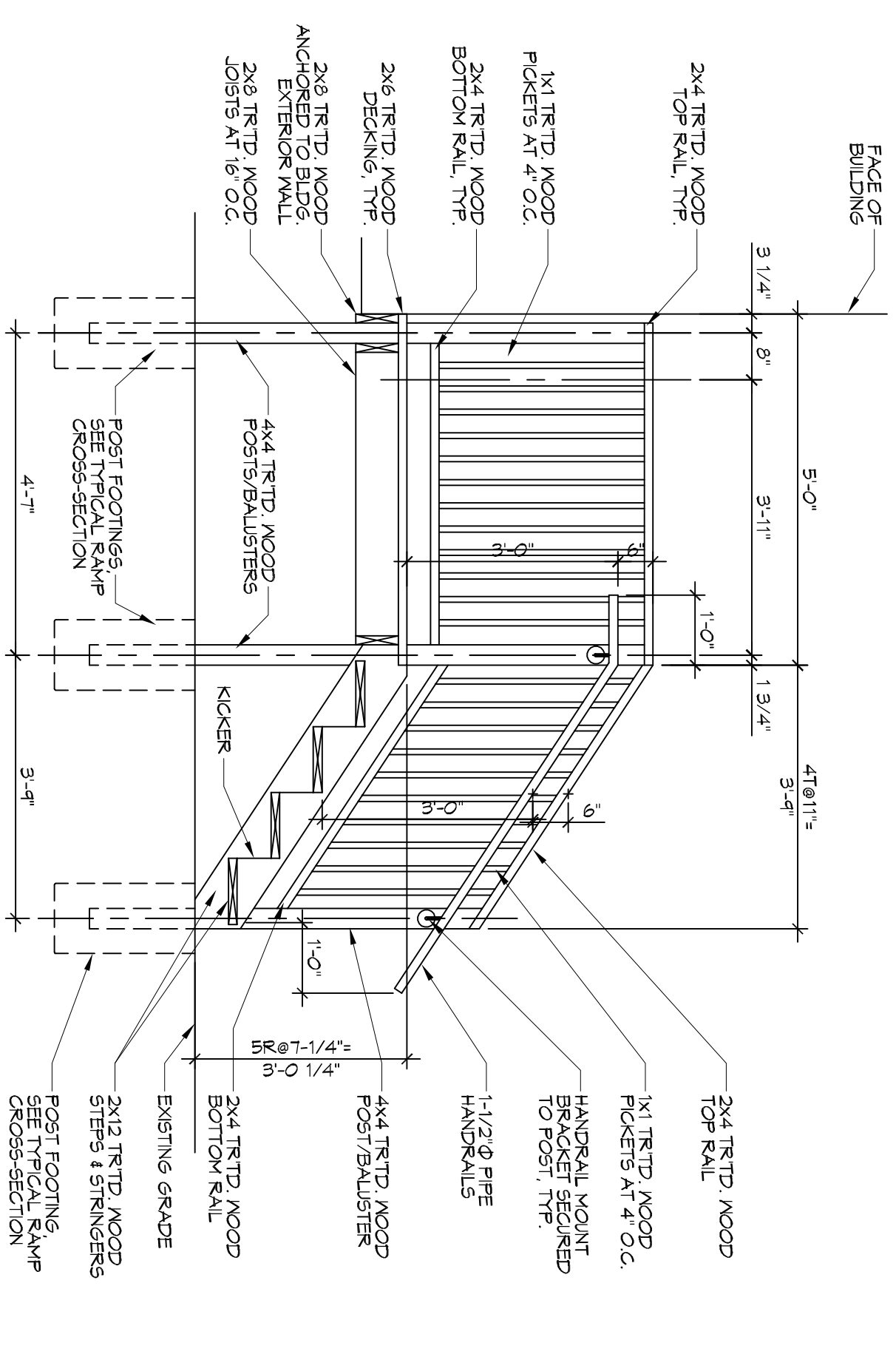


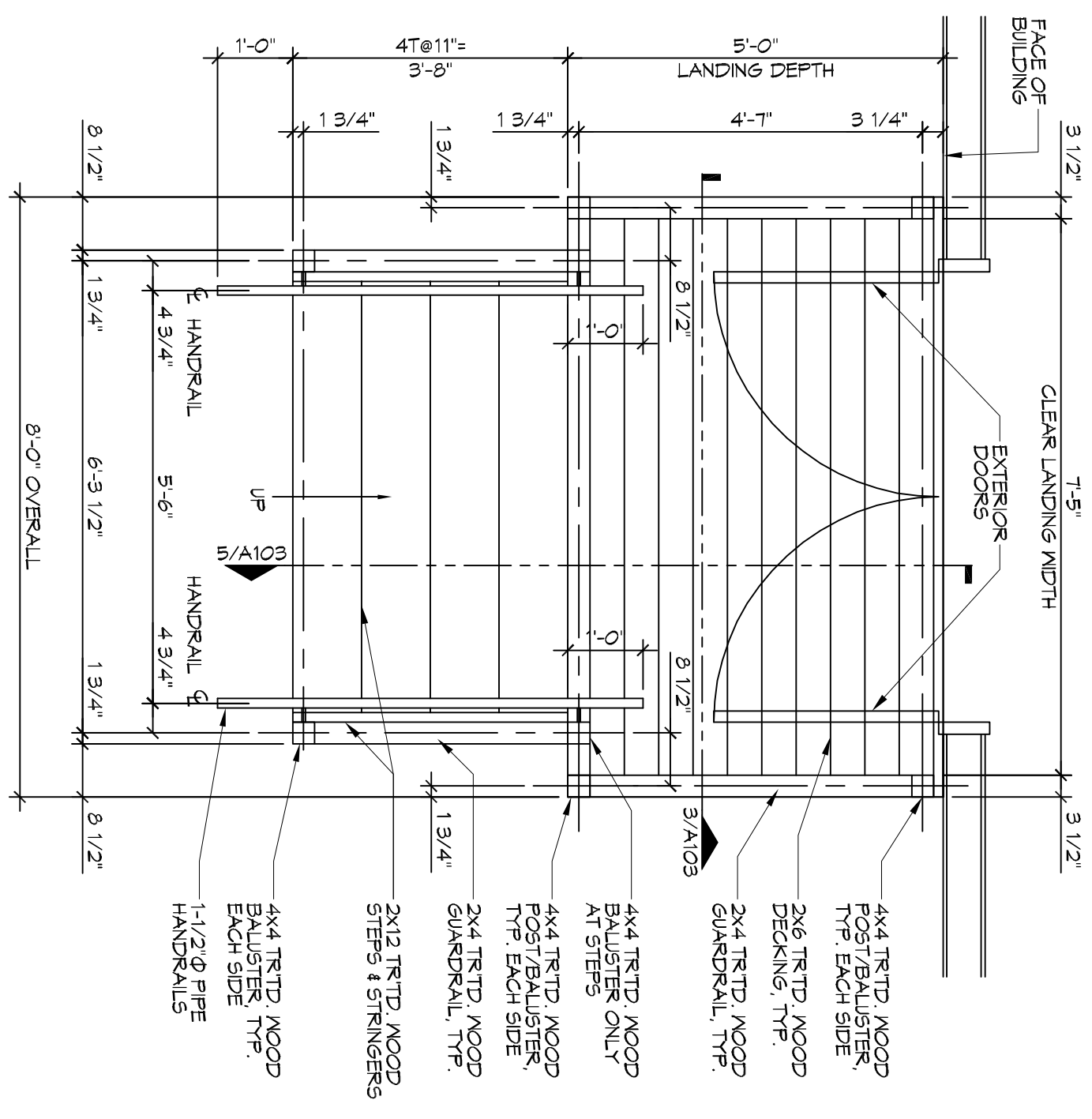
3 PORCH SECTION
SCALE: 1/2\"/>



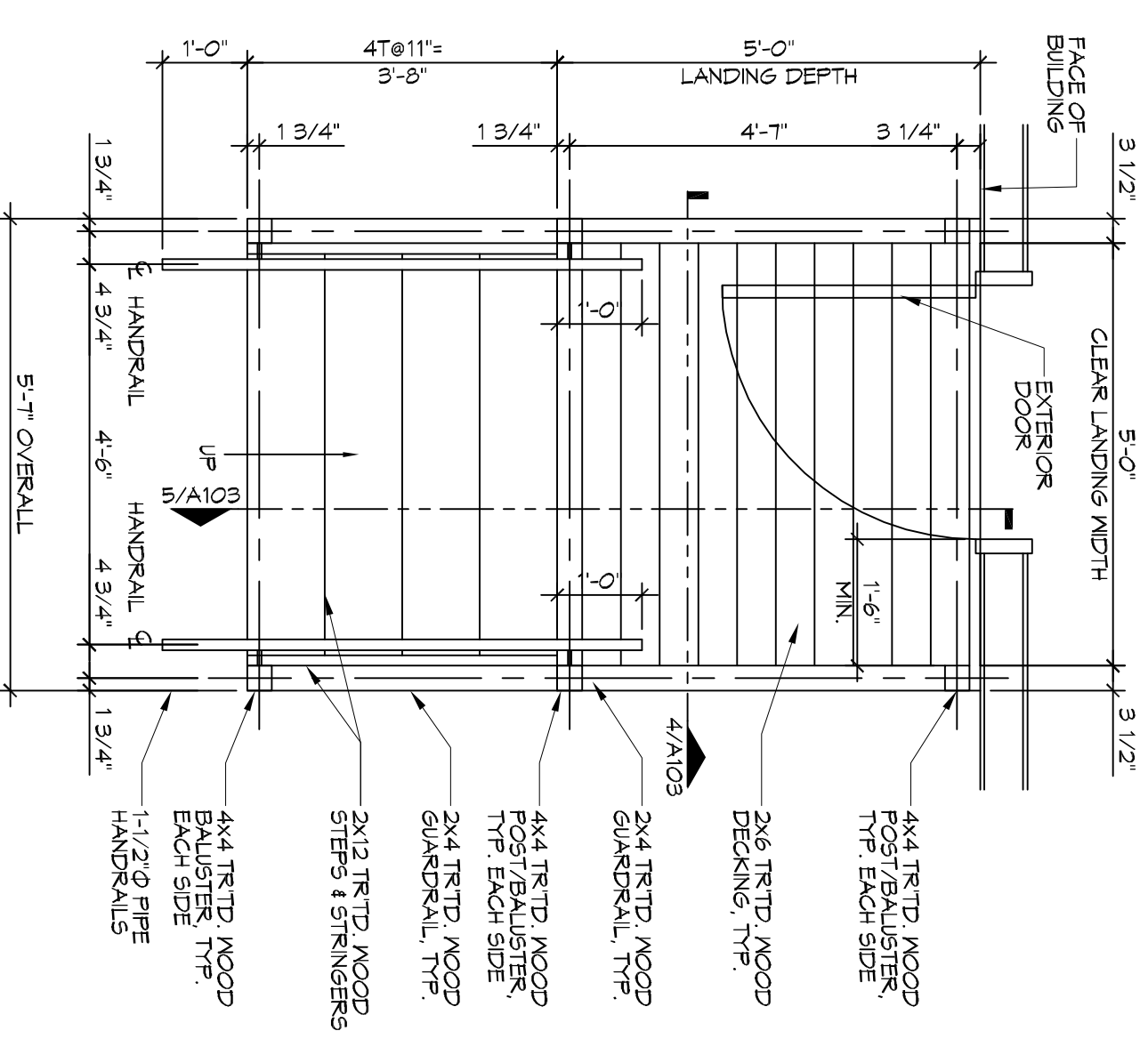
4 PORCH SECTION
SCALE: 1/2\"/>



5 STP. PORCH & STAIR SECTION
SCALE: 1/2\"/>



2 PORCH / STAIRS PLAN
SCALE: 1/2\"/>



1 PORCH / STAIRS PLAN
SCALE: 1/2\"/>

REVISIONS	
#	DESCRIPTION

DAMMON ENGINEERING, INC.
LOUISIANA & MISSISSIPPI

Chief Engineer: Brian Mistich, PE
554 Old Spanish Trail
Slidell, LA 70458
www.dammonengineering.com
info@dammonengineering.com
PH: 985.649.5832 F: 985.641.5950

WOLANSKI ENGINEERING
3770 LEGGETT ROAD
SLIDELL, LA 70460

JOB No: 2295 DATE: 4/15/2017
DRAWN BY: JTL CHECKED BY: BAM

SHEET TITLE: PORCHES & STAIRS - PLANS & DETAILS
DRAWING NUMBER: A103

A103

SHEET No. 4 of 13