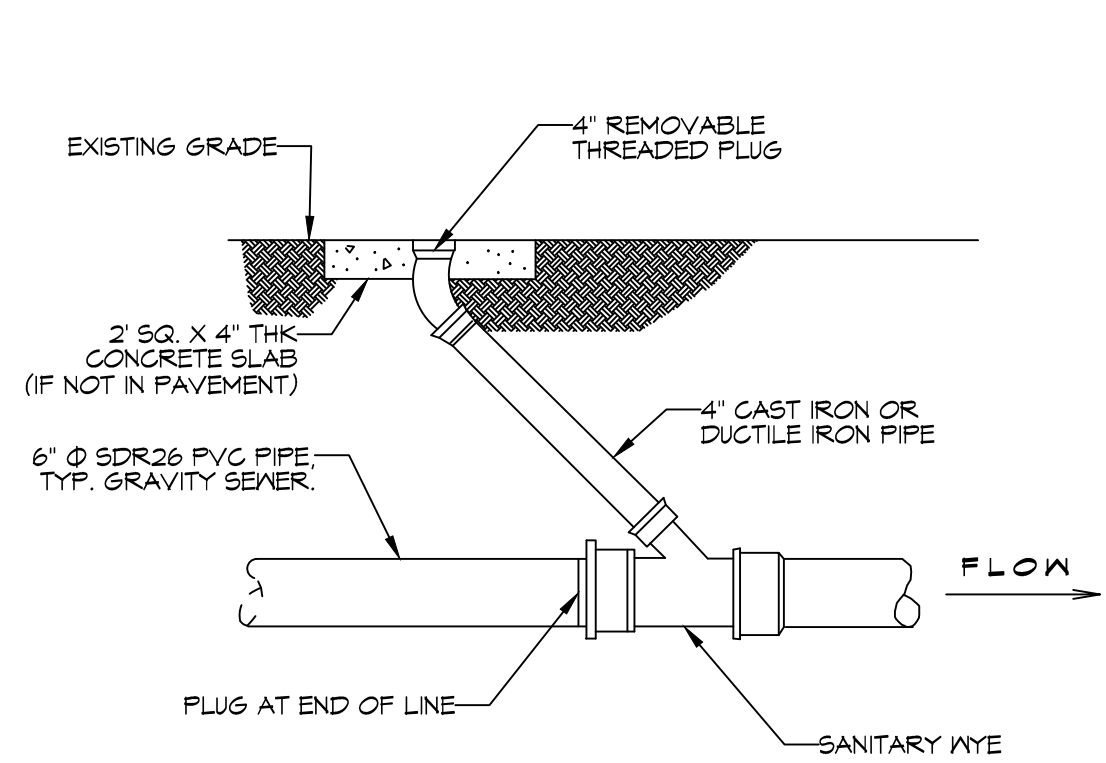
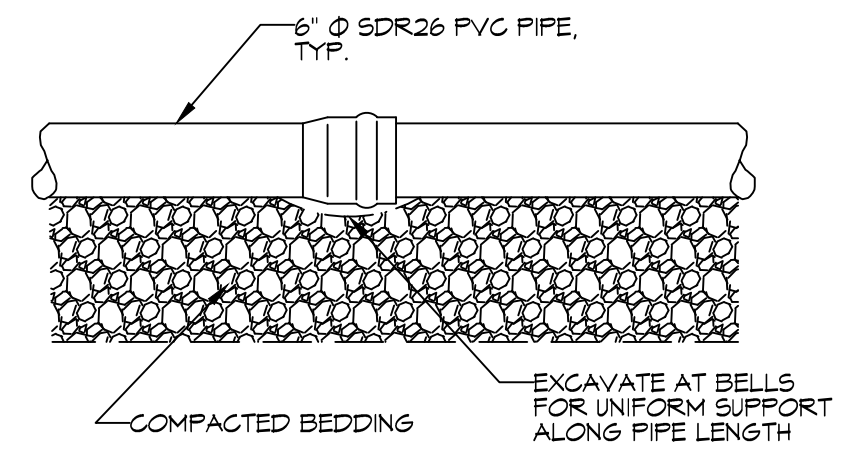


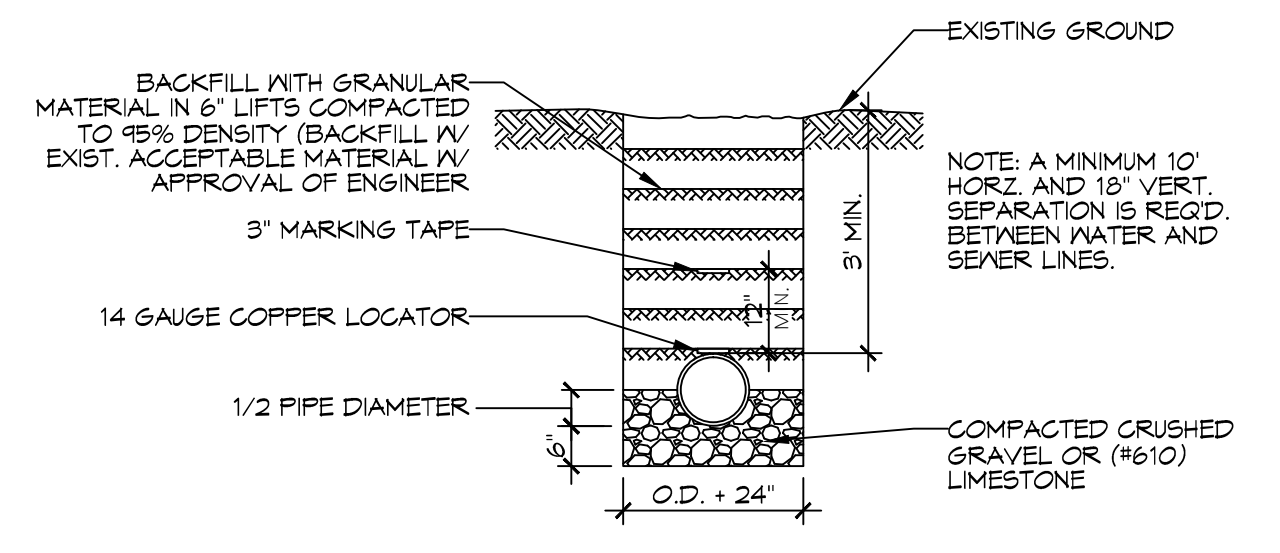
THE MATERIALS, MANUFACTURE, AND CONSTRUCTION OF THE UTILITIES SHOWN ON THIS DRAWING SHALL BE IN ACCORDANCE WITH THE LATEST EDITIONS OF THE FOLLOWING STANDARDS:



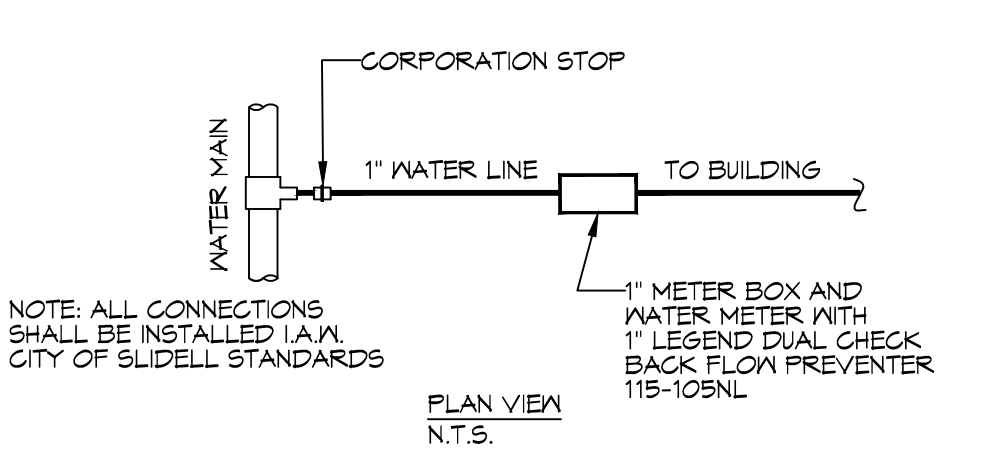
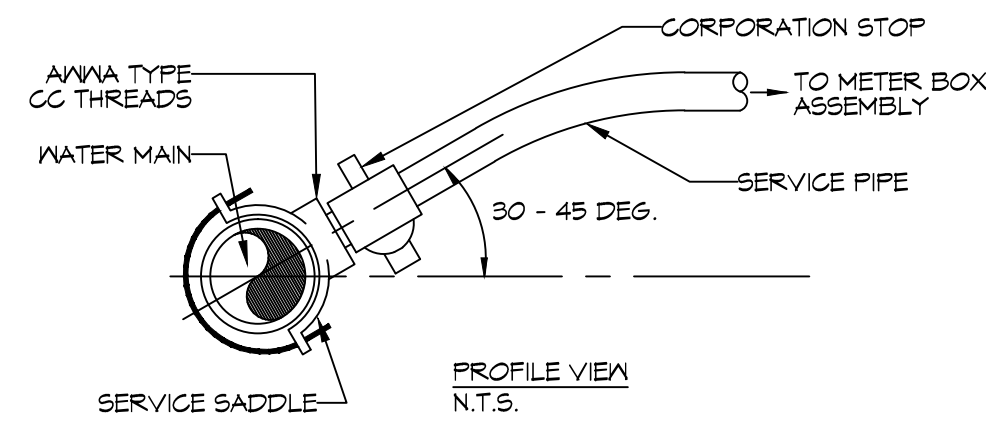
**3DETAIL**  
SCALE: NTS  
THROUGH FLOW CLEAN OUT DETAIL



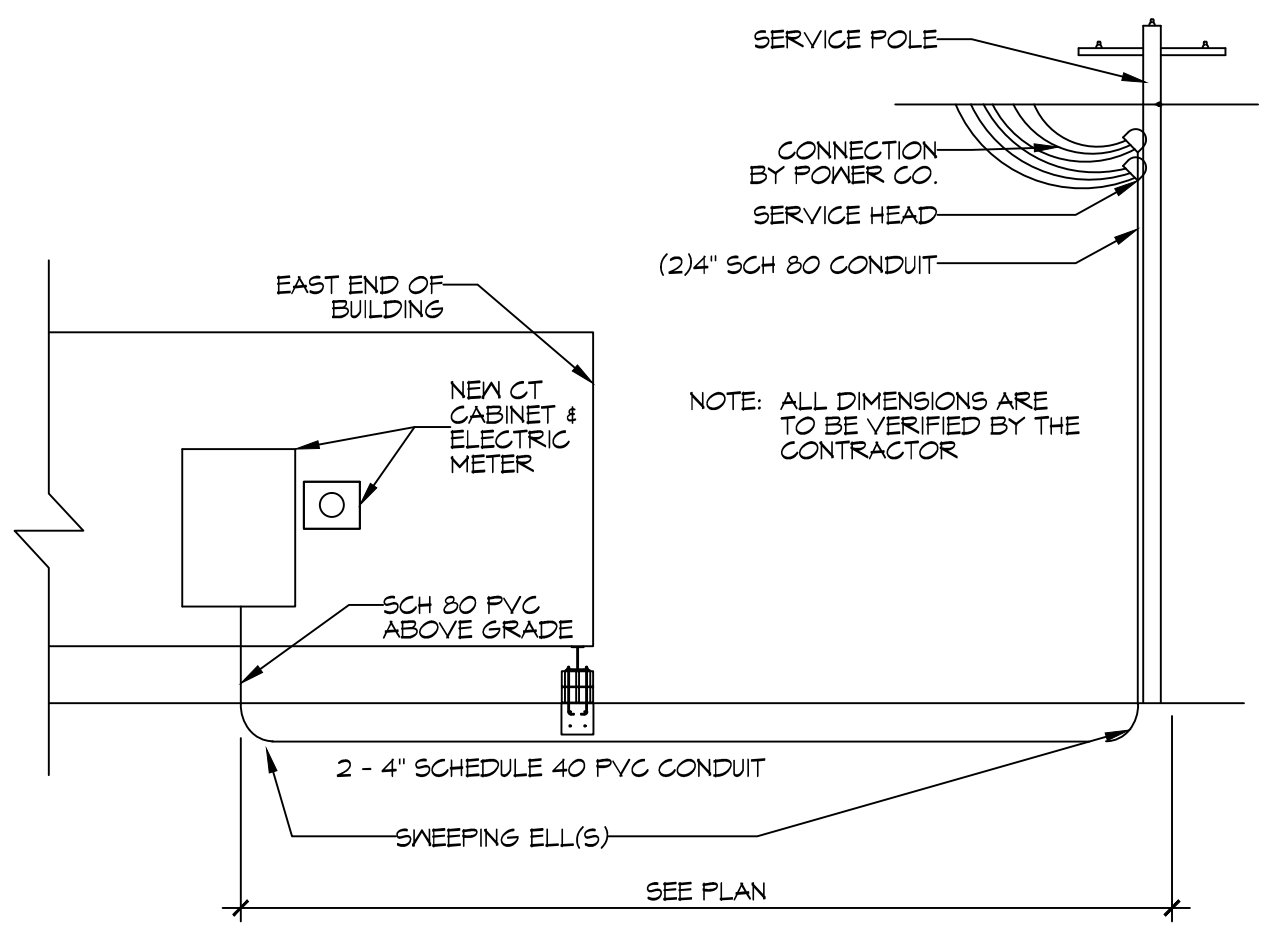
**4DETAIL**  
SCALE: NTS  
SERVICE LATERAL DETAIL



**2DETAIL**  
SCALE: NTS  
PIPE BEDDING DETAIL FOR SEWER AND WATER



**5DETAIL**  
SCALE: NTS  
WATER SERVICE DETAIL

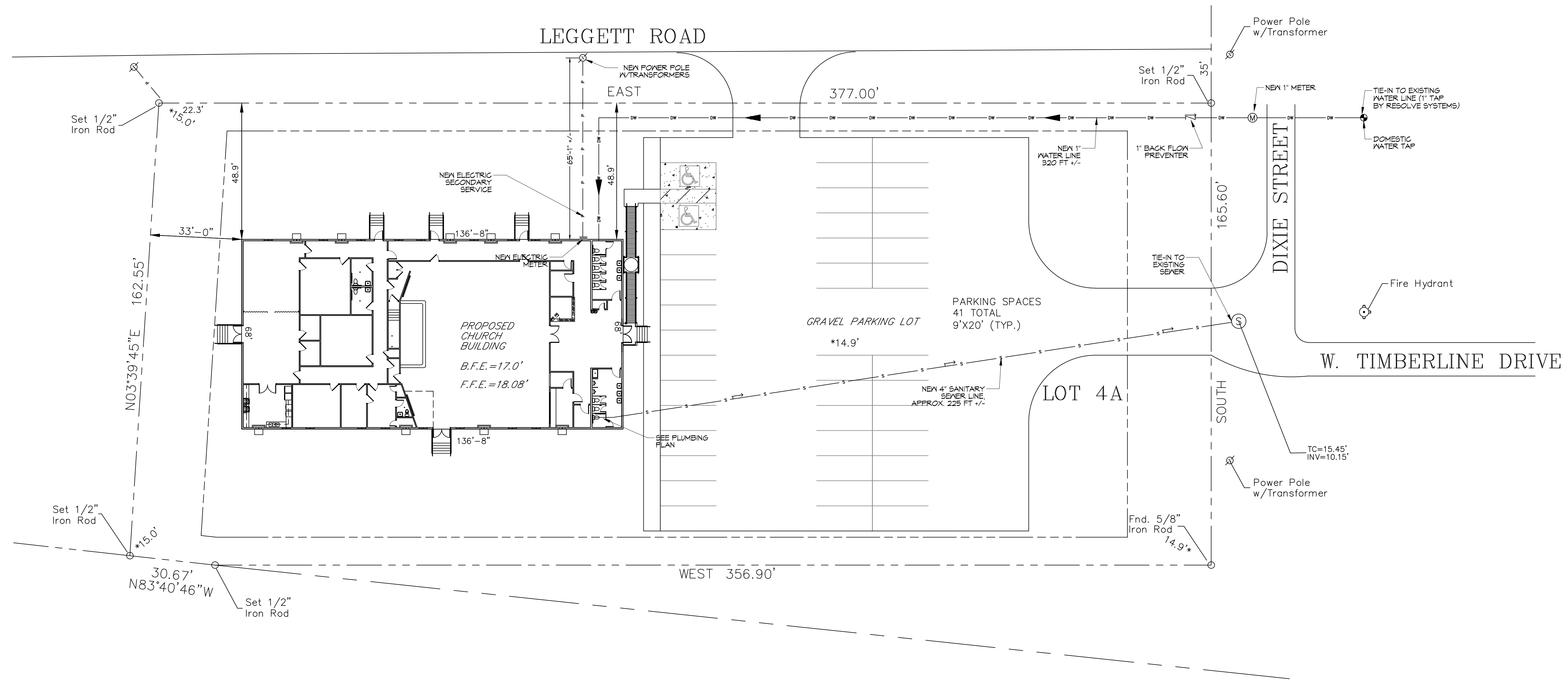
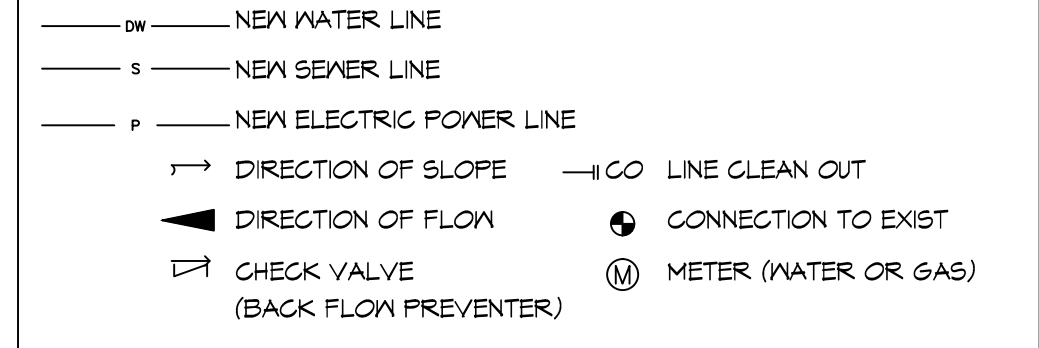


**6DETAIL**  
SCALE: NTS  
ELECTRICAL SERVICE DETAIL

**GENERAL SITE UTILITIES NOTES**

- ALL CONSTRUCTION SHALL COMPLY WITH CONTRACT SPECIFICATIONS AND APPLICABLE LOCAL, STATE, AND FEDERAL STANDARDS AND REGULATIONS.
- CONSTRUCTION SHALL NOT INTERRUPT EXISTING UTILITIES.
- ALL DISTURBED GROUND SHALL BE RESTORED IN KIND TO A CONDITION EQUAL TO OR BETTER THAN ORIGINALLY FOUND.
- SOIL EROSION CONTROL SHALL BE IN ACCORDANCE WITH THESE DOCUMENTS.
- PROTECT EXISTING UTILITY LINES FROM DAMAGE. FOLLOW INDIVIDUAL UTILITY'S RECOMMENDATIONS FOR UTILITY LINE PROTECTION.
- CONTRACTOR SHALL IMMEDIATELY REPORT ALL DAMAGE TO UTILITY LINES TO BOTH UTILITY COMPANY AND ENGINEER.
- ALL DAMAGE CAUSED TO EXISTING UTILITY LINES BY CONTRACTOR'S OPERATIONS SHALL BE REPAIRED BY THE CONTRACTOR TO COMPLETE SATISFACTION OF THE UTILITY COMPANY AND ENGINEER.
- LOCATION OF EXISTING UTILITIES IS APPROXIMATE. CONTRACTOR SHALL FIELD VERIFY EXACT LOCATIONS.
- CONTRACTOR IS RESPONSIBLE FOR CUT AND CAP OF EXISTING UTILITIES PRIOR TO ANY DEMOLITION.
- CONTRACTOR SHALL CONTACT LOUISIANA ONE CALL PRIOR TO COMMENCEMENT OF SITE EXCAVATION.
- THE CONTRACTOR SHALL CONTACT RESOLVE SYSTEMS, INC FOR EXACT LOCATION OF TIE-IN FOR UTILITIES.
- THE CONTRACTOR SHALL CONTACT CLECO FOR POWER CONNECTION.

**SITE UTILITIES LEGEND**



**1SITE UTILITIES PLAN**  
SCALE: 1"=20'-0"

**DAMMON ENGINEERING, INC.**  
 LOUISIANA & MISSISSIPPI  
 Chief Engineer: Brian Wistich, PE  
 554 Old Spanish Trail  
 Slidell, LA 70458  
 www.dammonengineering.com  
 info@dammonengineering.com  
 PH: 985.649.5832 F: 985.641.5950

REVISIONS	DATE	DESCRIPTION

#	DESCRIPTION

**CHRISTIAN LOVE CHURCH**  
 8710 LEGGETT ROAD  
 SLIDELL, LA 70460  
 JOB No: 2295 DATE: 9/15/2017  
 DRAWN BY: C&D/JTL CHECKED BY: BAW

SHEET TITLE:  
 SITE UTILITIES PLAN  
 DRAWING NUMBER:  
**C102**  
 SHEET No: 4 of 15