

**DESCRIPTION**

Surface mount luminaire designed for use in architectural and commercial applications with limited plenum height. The patented WaveStream™ optical technology blocks the line of sight from the LED light sources while providing a high level of uniformity and delivering the maximum amount of light. The Portfolio surface mount luminaires are available in black, white, bronze and silver paint in many lumen packages and 80 or 90CRI delivering up to 100LPW.

<b>Catalog #</b>		<b>Type</b>
<b>Project</b>		
<b>Comments</b>		<b>Date</b>
<b>Prepared by</b>		

**SPECIFICATION FEATURES**

**Optics**

Medium and wide beam distribution is achieved using reflective backing plates and WaveStream optical technology. The optical WaveGuide is manufactured using precision injection molded acrylic. The optics contain features that form a repeatable and redundant pattern to direct light in a precisely prescribed distribution. Available in 2700K, 3000K, 3500K and 4000K CCT.

**Housing**

Decorative one piece die-cast aluminum housing with spun aluminum top available in white, matte black, silver or bronze paint.

**Mounting**

Standard fixture mounts to a square or octagonal 4" surface or recessed j-box via heavy-gauge quick mount bracket. Optional mounting methods include aircraft cable, pendant mount and wall mount.

**Driver**

Combination 0-10V or trailing edge standard. Optional 1% 0-10V, 1% Fifth Light / DALI.

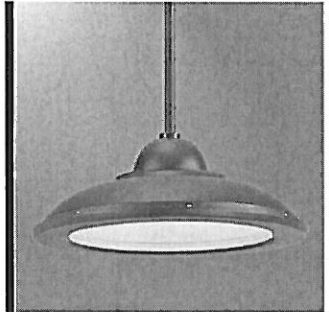
**Compliance**

Ceiling and wall mount luminaires are cULus listed for wet locations with covered ceiling. Cable and pendant luminaires are cULus listed for damp locations. EMI/

RFI emissions per FCC 47CFR Part 18 Class B consumer limits. Photometric testing completed in accordance with IES LM 79 standards. LED life testing completed in accordance with LM 80 standards.

**Warranty**

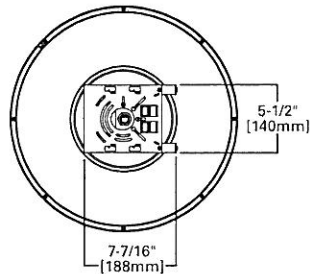
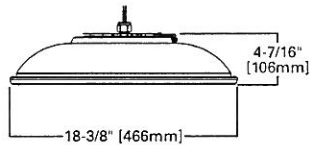
Five year warranty.



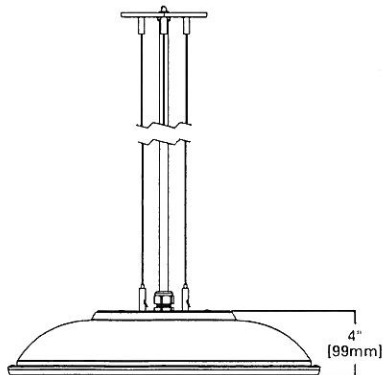
**LSM, LSWM,  
LSMP,  
LSMAC48,  
LSMAC120**

**DIMENSIONS**

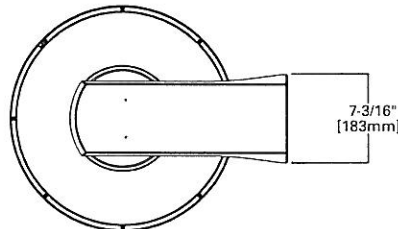
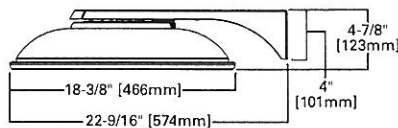
**SURFACE MOUNT**



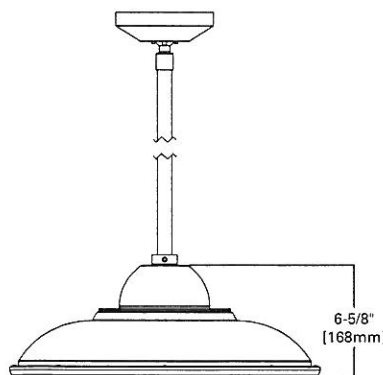
**AIRCRAFT CABLE MOUNT**



**WALL MOUNT**



**PENDANT MOUNT**



ENERGY DATA	
Sound Rating: Class A standards	
(Values at non-dimming line voltage)	
Minimum Starting Temperature: -20°C (-4°F)	
EMC/RFI: FCC Title 47 CFR, Part 15, Class B (Consumer)	
4500 Lumen D010TE	
120V Input Power: 44W	277V/347V Input Power: 45W
120V Input Current: .36A	277V/347V Input Current: .17A
THD: 120V: <13%	THD: 277V: <20%
Maximum Non-IC Ambient Continuous	
Input Frequency: 50-60Hz	
5500 Lumen D010TE	
120V Input Power: 56W	277V/347V Input Power: 57W
120V Input Current: .46A	277V/347V Input Current: .21A
THD: 120V: <13%	THD: 277V: <20%
Maximum Non-IC Ambient Continuous	
Input Frequency: 50-60Hz	
7000 Lumen D010TE	
120V Input Power: 74W	277V/347V Input Power: 75W
120V Input Current: .61A	277V/347V Input Current: .27A
THD: 120V: <13%	THD: 277V: <20%
Maximum Non-IC Ambient Continuous	
Input Frequency: 50-60Hz	
8000 Lumen D010TE	
120V Input Power: 88W	277V/347V Input Power: 89W
120V Input Current: .74A	277V/347V Input Current: .32A
THD: 120V: <13%	THD: 277V: <20%
Maximum Non-IC Ambient Continuous	
Input Frequency: 50-60Hz	
9000 Lumen D010TE	
120V Input Power: 99W	277V/347V Input Power: 98W
120V Input Current: .83A	277V/347V Input Current: .36A
THD: 120V: <13%	THD: 277V: <20%
Maximum Non-IC Ambient Continuous	
Input Frequency: 50-60Hz	

**ORDERING INFORMATION**

EXAMPLE: LSMP45W8027D010TEMB LPS36MB

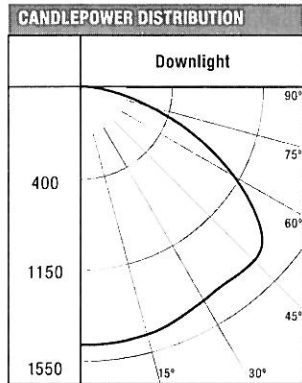
Housing	Lumens	Distribution	CRI	CCT	Voltage	Driver	Color
LSM=LED Surface Ceiling LSMP=LED Pendant Mount 1 LSWM=LED Wall Mount LSMAC48=LED Aircraft Cable Mount 48" LSMAC120=LED Aircraft Cable Mount 120"	45=4500 Lumens 55=5500 Lumens 70=7000 Lumens 80=8000 Lumens 90=9000 Lumens	W=Wide M=Medium	80=80 CRI 90=90 CRI  27=2700 30=3000 35=3500 40=4000  Blank=120-277V 3=347V			4500, 5500, 7000, 8000, 9000 Lumen D010TE=120-277 0-10V 10% Dimming or Trailing Edge 120V  4500, 5500, 7000, 8000 Lumen D5LT=120-277 Fifth Light DALI Dimming D010TR=120-277 0-10V 10% Dimming or Leading Edge 120V DE010=120-277 0-10V 1% Dimming  4500, 5500, 7000 Lumen DL3=120-277, 1-100% Lutron Hi-Lume, 3-wire Ecosystem Dimming DLT=120V, 1-100% Lutron, Forward Phase Dimming	MB=Matte Black P=White SL=Silver BZ=Bronze

**Accessories**  
TT/WG=Wireguard

Stem Kits	Color	Type
LPS36=36" LPS48=48" LPS96=96"	MB=Matte Black P=White SL=Silver BZ=Bronze	Blank=5 Conductor for use with 0-10V Dimming Drivers 120=3 Conductor for use with 120V or 277V 2-wire Dimming DL3=6 Conductor for use with DL3 3-wire Dimming Drivers D5LT=5 Conductor for use with D5LT Drivers

Notes: 1 For pendant mount order stem kit.

**PHOTOMETRICS**



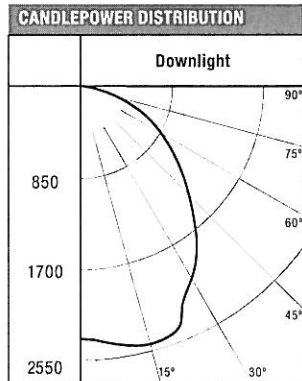
<b>LSM55W8035D010TEP</b>	
Lumens	5808
Efficacy	103 Lm/W
Watts	57
CCT	3500K
SC	1.45 / 1.43 / 1.73

CONE OF LIGHT		
Distance Fixture to Lighted Plane	Initial Footcandles at Nadir	Beam Diameter
8'	24	11
9'	19	13
10'	15	14
13'	9	19
16'	6	23

CANDELA TABLE	
Degrees Vertical	Candela
0	1516
5	1518
15	1506
25	1465
35	1432
45	1439
55	1220
65	795
75	362
85	71
90	0

ZONAL LUMEN SUMMARY		
Zone	Lumens	%Fixture
0-30	1247	21.5
0-40	2153	37.1
0-60	4452	76.7
0-90	5807	100
90-180	0	0
0-180	5807	100

LUMINANCE	
Average Candela Degrees	Average 0° Luminance
45	22030
55	23021
65	20356
75	15144
85	8863



<b>LSM55M8035D010TEP</b>	
Lumens	6325
Efficacy	112.5 Lm/W
Watts	56
CCT	3500K
SC	1.28 / 1.28 / 1.33

CONE OF LIGHT		
Distance Fixture to Lighted Plane	Initial Footcandles at Nadir	Beam Diameter
8'	37	10
9'	29	11
10'	24	13
13'	14	16
16'	9	20

CANDELA TABLE	
Degrees Vertical	Candela
0	2334
5	2373
15	2471
25	2214
35	1860
45	1400
55	1013
65	666
75	301
85	43
90	0

ZONAL LUMEN SUMMARY		
Zone	Lumens	%Fixture
0-30	1980	31.3
0-40	3130	49.5
0-60	5227	82.6
0-90	6325	100
90-180	0	0
0-180	6325	100


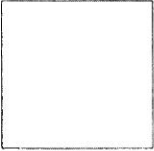


LUMINANCE	
Average Candela Degrees	Average 0° Luminance
45	21446
55	19123
65	17057
75	12589
85	5330

F2

# BSS205 | GENERAL INFORMATION

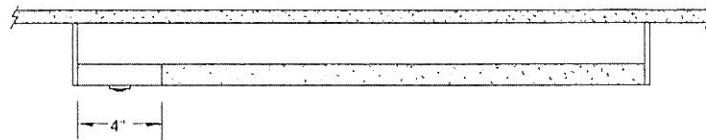


LENS


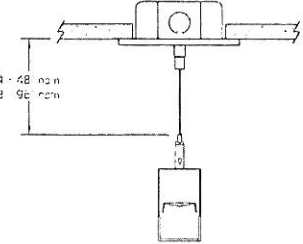
ORDERING CODE	DESCRIPTION	SPECIFICATIONS
	A RECTANGULAR SOLID END	Rectangular profile with full height aluminum end cap
	B RECTANGULAR LUMINOUS END	Rectangular profile with aluminum end cap and frosted acrylic lens end
	C ROUNDED SOLID END	Rounded profile with full height aluminum end cap
	D ROUNDED LUMINOUS END	Rounded profile with aluminum end cap and frosted acrylic lens end

OPTIONS

ORDERING CODE	DESCRIPTION	SPECIFICATIONS
	OCCUPANCY SENSOR	Passive infrared occupancy sensor with hold-off daylighting adjustment (10-120 foot candles) and time delay adjustment from 30 seconds to 30 minutes AVAILABLE FOR RECTANGULAR PROFILE ONLY
S1	OCCUPANCY SENSOR - POSITION 1	Sensor located on the top at an end



MOUNTING

	ORDERING CODE	DESCRIPTION
	SM	<p>SURFACE MOUNT</p> <p>Use appropriate fastener through Ø3/16" holes in housing</p>
	C4 and C8	<p>CABLE MOUNT</p> <p>Mounting option includes:</p> <ul style="list-style-type: none"> <li>• Ø 1/16" x 48" (C4) or 96" (C8) aircraft cables</li> <li>• 60" (C4) or 108" (C8) power cable in coordinating finish</li> <li>• Bracket bars</li> <li>• Ø 5" white canopies</li> <li>• Ceiling couplers</li> <li>• Side exit cable grippers</li> </ul>

F0 F9

# Metalux

## DESCRIPTION

FPanel LED panel series provide premium performance and pleasing aesthetics. It is optimized for shallow plenum grid ceilings or surface mounting. Developed with Eaton's latest generation of solid state components and electronic driver technologies, these panels are ideal for new construction and to replace fluorescent troffers. Its refined visual optics and integrated grid retention clips provide the features needed for speed and installation flexibility. LED FPanels are an excellent lighting solution for commercial office spaces, schools, healthcare and retail merchandising areas.

<b>Catalog #</b>		<b>Type</b>
<b>Project</b>		
<b>Comments</b>		<b>Date</b>
<b>Prepared by</b>		

## SPECIFICATION FEATURES

### Construction/Mounting

Narrow aluminum bezel is tightly held to code gauge steel back plate to protect the LEDs and optical area. Corners are seamless with a narrow flange to provide a refined finish and maximize the light emitting surface. Integral grid locking clips and separate suspension clips are included on the panel to ensure installation flexibility in ceiling systems and to meet code when additional retention is required. Junction box is constructed of code gage galvanized steel with an easy access hinged door for high voltage and low voltage wiring access and includes trade size knockouts. The luminaire is less than 2 inches in depth making it an ideal choice for shallow plenums and low ceilings. May also be surface mounted using the optional kit.

### Controls

The FPanel is standard with a 0-10V continuous dimming driver which dims to 10% and works with most standard 0-10V control/dimmers. Combine with energy-saving products like wall dimmers, Room Controller, occupancy and daylight sensors, and lighting relay panels. Or, go wireless with optional field installed controls for either WaveLinx or LumaWatt Pro.

### Electrical

Long-Life LED system coupled with electrical driver to deliver optimal performance. LED's available in 3500K, 4000K and 5000K with a minimum of 80 CRI and a 90 CRI option that is 3000K. Projected lumen maintenance based on TM21 is L73 > 60,000 hours. Electronic drivers are cULus recognized and available for 120-277V. Emergency battery pack options are available in 7 watts and 14 watts. These emergency battery packs meet critical life-safety lighting requirements and are sold

separately for field installation and remote mounting.

### Optical Shielding

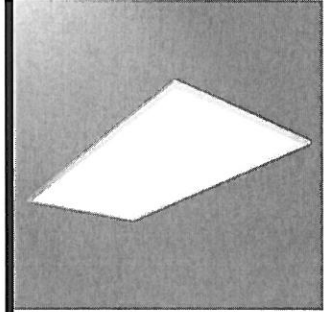
Light guide is constructed of acrylic with specialized features to optimize light extraction providing excellent efficiency. White frost lens with smooth pattern provides uniform illumination as well as scratch and impact resistance.

### Compliance

Constructed of UL recognized components these indoor luminaires are cULus listed for 25°C ambient environments, IC rated for direct insulation contact, RoHS compliant, damp location listed, and comply with IESNA LM-79 and LM-80 standards. NEMA 410 Compliant. DesignLights Consortium® Qualified and classified for DLC Standard, refer to [www.designlights.org](http://www.designlights.org) for details.

### Warranty

Five year warranty.



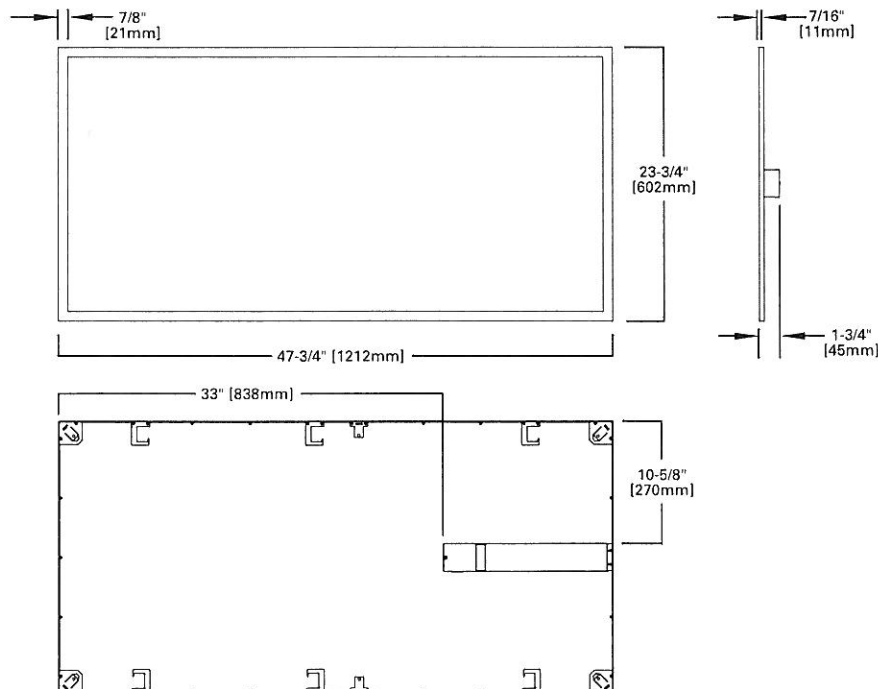
**24FP  
LED**

2' X 4' LED PANEL

General LED Panel.  
Recessed in Insulated  
Ceilings or Surface Mount



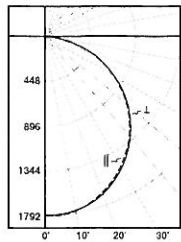
## DIMENSIONS



## LOAD DATA

<b>Thd</b>	13%
<b>Power Factor</b>	0.96
<b>Weight</b>	18.5
<b>Low Temp. Start</b>	-20°C

PHOTOMETRICS



24FP4735C

Electronic Driver  
Linear LED 3500K  
Spacing criterion:  
(||) 1.24 x mounting  
height, (⊥) 1.26 x  
mounting height  
Lumens: 5073  
Input Watts: 40W  
Efficacy: 126 lm/W  
Test Report:  
24FP4735C.IES

Candlepower

Angle	Along	45°	Across ⊥
0	1785	1785	1785
5	1786	1774	1785
10	1761	1751	1764
15	1718	1711	1726
20	1657	1655	1670
25	1582	1582	1598
30	1495	1497	1516
35	1395	1400	1418
40	1284	1290	1311
45	1167	1173	1191
50	1040	1046	1060
55	906	912	926
60	768	772	784
65	626	628	637
70	481	483	491
75	340	340	348
80	206	206	212
85	92	90	94
90	0	0	0

Coefficients of Utilization

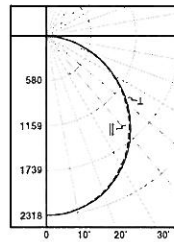
rc rw RCR	Effective floor cavity reflectance 20%																							
	80%				70%				50%				30%				10%				0%			
	70	50	30	10	70	50	30	10	50	30	10	50	30	10	50	30	10	50	30	10	50	30	10	0
0	119	119	119	119	116	116	116	116	111	111	111	106	106	106	102	102	102	100						
1	109	104	99	96	106	101	98	94	97	94	91	93	91	88	90	88	86	83						
2	99	90	83	78	96	88	82	77	85	80	75	82	77	73	79	75	72	69						
3	90	79	71	64	87	78	70	64	75	68	63	72	66	62	69	65	61	58						
4	82	70	61	55	80	69	61	54	66	59	53	64	58	53	62	56	52	50						
5	76	63	54	47	74	62	53	47	59	52	46	57	51	46	56	50	45	43						
6	70	56	47	41	68	55	47	41	54	46	40	52	45	40	50	44	40	38						
7	65	51	42	36	63	50	42	36	49	41	36	47	41	35	46	40	35	33						
8	60	47	38	32	59	46	38	32	45	37	32	43	37	32	42	36	31	30						
9	56	43	35	29	55	42	34	29	41	34	29	40	33	29	39	33	28	27						
10	53	39	32	26	51	39	31	26	38	31	26	37	31	26	36	30	26	24						

Zonal Lumen Summary

Zone	Lumens	% Fixture
0-30	1384	27.3
0-40	2261	44.6
0-60	3983	78.5
0-90	5073	100.0
0-180	5073	100.0

Luminance Data

Angle in Deg	Average 0-Deg cd/sm	Average 45-Deg cd/sm	Average 90-Deg cd/sm
45	2221	2232	2266
55	2125	2139	2172
65	1993	1999	2028
75	1768	1768	1809
85	1420	1389	1451



24FP6440C

Electronic Driver  
Linear LED 4000K  
Spacing criterion:  
(||) 1.25 x mounting  
height, (⊥) 1.26 x  
mounting height  
Lumens: 6611.3  
Input Watts: 59.4W  
Efficacy: 111.3 lm/W  
Test Report:  
24FP6440C.IES

Candlepower

Angle	Along	45°	Across ⊥
0	2316	2316	2316
5	2312	2309	2308
10	2279	2279	2282
15	2225	2229	2233
20	2150	2156	2163
25	2056	2062	2072
30	1939	1951	1963
35	1814	1824	1838
40	1668	1683	1698
45	1516	1530	1544
50	1351	1364	1376
55	1182	1191	1202
60	998	1007	1014
65	812	820	827
70	622	629	642
75	438	445	456
80	266	274	282
85	116	121	126
90	0	0	0

Coefficients of Utilization

rc rw RCR	Effective floor cavity reflectance 20%																							
	80%				70%				50%				30%				10%				0%			
	70	50	30	10	70	50	30	10	50	30	10	50	30	10	50	30	10	50	30	10	50	30	10	0
0	119	119	119	119	116	116	116	116	111	111	111	106	106	106	102	102	102	100						
1	109	104	99	95	106	101	97	94	97	94	91	93	91	88	90	88	86	83						
2	99	90	83	78	96	88	82	77	85	79	75	82	77	73	79	75	72	69						
3	90	79	71	64	87	78	70	64	75	68	63	72	66	62	69	65	61	58						
4	82	70	61	54	80	69	60	54	66	59	53	64	58	53	62	56	52	50						
5	76	63	54	47	73	61	53	47	59	52	46	57	51	46	56	50	45	43						
6	70	56	47	41	68	55	47	41	54	46	40	52	45	40	50	44	40	37						
7	65	51	42	36	63	50	42	36	49	41	36	47	40	35	46	40	35	33						
8	60	47	38	32	59	46	38	32	45	37	32	43	37	32	42	36	31	30						
9	56	43	35	29	55	42	34	29	41	34	29	40	33	29	39	33	28	27						
10	53	39	32	26	51	39	31	26	38	31	26	37	30	26	36	30	26	24						

Zonal Lumen Summary

Zone	Lumens	% Fixture
0-30	1798.9	27.2
0-40	2940.9	44.5
0-60	5186.4	78.4
0-90	6611.3	100.0
0-180	6611.3	100.0

Luminance Data

Angle in Deg	Average 0-Deg cd/sm	Average 45-Deg cd/sm	Average 90-Deg cd/sm
45	2885	2911	2938
55	2773	2794	2820
65	2585	2611	2633
75	2277	2313	2371
85	1791	1868	1945

**ORDERING INFORMATION/PERFORMANCE**

Catalog	UPC	CCT	CRI (Min)	Delivered Nominal Lumens	Watts	Efficacy (lm/W)	Input Current (A)	
							120V	277V
24FP4735C	080083801466	3500K	80	4990	40.4	124	.36	.15
24FP4740C	080083801480	4000K	80	4858	40.3	121		
24FP4750C	080083801503	5000K	80	5005	40.3	124		
24FP6435C	080083801527	3500K	80	6602	58.8	112	.51	.22
24FP6440C	080083801541	4000K	80	6611	59.4	111		
24FP6450C**	080083800704	5000K	80	6746	59.4	114		
24FP3830C9*	080083801909	3000K	90	3886	40.3	96	.36	.15
24FP5830C9*	080083801923	3000K	90	5282	58.2	91	.51	.22

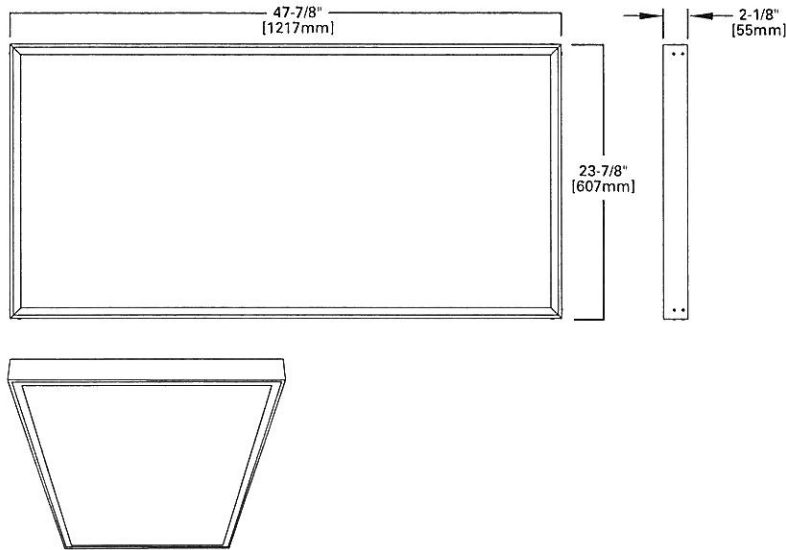
\*May have extended lead-times.

\*\*Stock available October/November 2017. Check FLASH for availability.

**ACCESSORIES/ORDERING INFORMATION**

**SURFACE MOUNT KIT\*\***

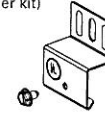
Catalog	UPC
FPSURF24	080083802746



**CEILING RETENTION\*\***

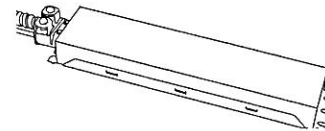
Catalog	UPC
FPEQ	080083802685

Required by some local codes  
Order one set for each fixture  
(Four clips per kit)



**EMERGENCY BATTERY**

Catalog	UPC	Watts
EBPLED7W	080083832265	7
EBPLED14W	080083832272	14



**DRYWALL FRAME KIT**

Catalog	UPC
DF-24W-U	662401232970

**SHIPPING DATA**

Size	Wt.	Pallet (30" x 56")
2' x 4'	22 lbs.	17

Installation Instructions – FP Surface Mount Instruction Sheet  
 Instructions d'installation – Feuille d'instructions pour montage en surface du FP  
 Instrucciones de instalación - Hoja de instrucciones Montaje de superficie FP

**Surface Mount Accessory Kit Instruction Sheet**

**Assemble Box**

1. Screw two (2) Lbrackets to ends of slotted members using four (4) M3X6mm screws (provided).

**Note:** Screws may strip if over-torqued.

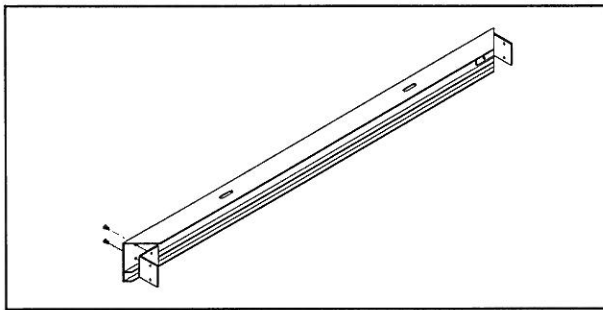


Figure 1.

2. Screw non-slotted members to other side of L bracket, forming a box.

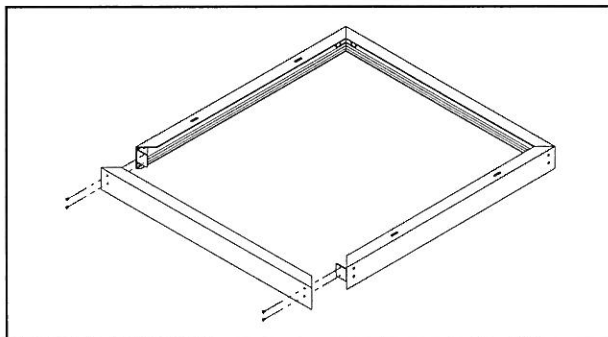


Figure 2.

**Mount Box to Ceiling**

1. Locate box on surface and mark mounting holes.
2. Attach box to ceiling or wall using #8 wood screws for stud mount or 3/16" diameter toggle bolt for drywall mounting (sold separately). Ensure the box is kept square when mounting.

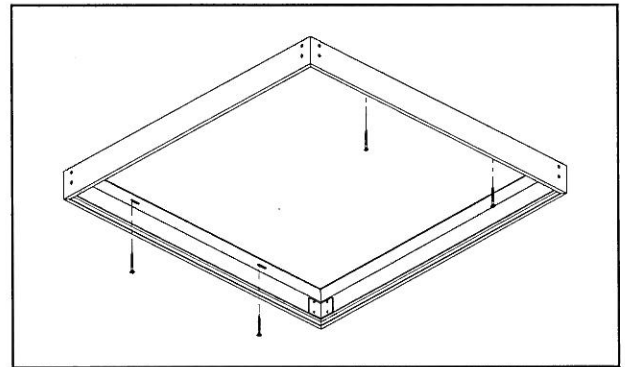


Figure 3.

3. The spacing for mounting holes is:

Fixture Size (L'xW')	Hole Spacing (in.)
2x2	11 3/4"
1x4	13 3/4"
2x4	13 3/4"

Table 1. Fixture Hole Spacings

# Installation Instructions – FP Surface Mount Instruction Sheet

## Install Fixture

1. Unscrew and remove the front, non-slotted member and slide fixture into channel (retain screws for reuse).

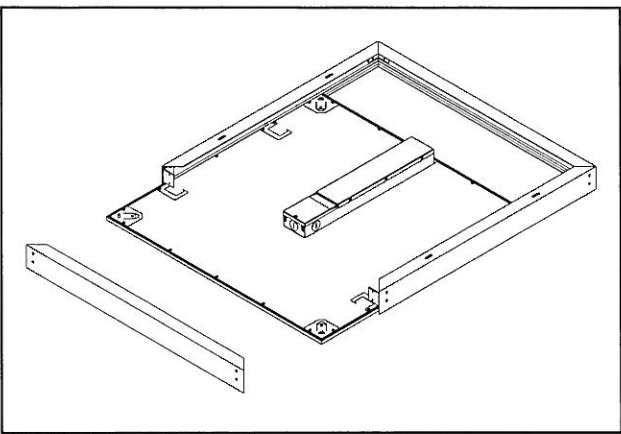


Figure 8.

2. Reinstall front, non-slotted member with retained screws to complete the box.

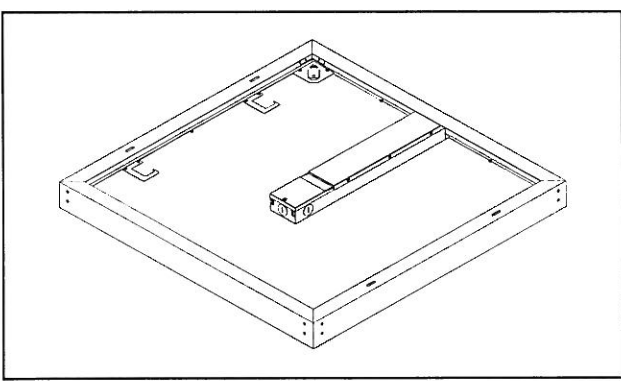


Figure 9.

## Suspend Fixture

1. Refer to instructions included with the suspension kit

### Note:

1. See Table 1 for fixture weights.

Fixture Size (L'xW')	Weight (lbs)
2x2	9.4
1x4	9.8
2x4	18.5

### Table 2. Fixture Weights

2. Suspension Kit not available for 2x4 and 1x4 panels.
3. Refer to Flat Panel instruction sheet for wiring the fixture.

**DESCRIPTION**

SNLED Lensed is a narrow LED lensed striplight series. This high quality luminaire is dedicated to the latest solid state lighting and electronic driver technology for optimal performance and energy efficiency. This Lensed product is available with three different lens types.

The small size of the SNLED makes it an ideal choice for size restricted architectural applications. The SNLED Series can be the illumination solution in commercial, industrial, retail and residential applications. Fixtures can be used in storage/utility areas, coves, display cases, shops, task and general area lighting.

<b>Catalog #</b>		<b>Type</b>
<b>Project</b>		
<b>Comments</b>		<b>Date</b>
<b>Prepared by</b>		

**SPECIFICATION FEATURES**

**Construction**

Channel is die formed cold rolled steel with numerous KOs for ease of installation. Groove for Tong Hanger. End plate quickly converts to snap-in channel connector for continuous row alignment. Channel/wireway cover secured with sheet metal screws.

**Controls**

Equipped standard with a 0-10V continuous dimming driver that works with any standard 0-10V control/dimmer. Combine with energy saving products like occupancy sensors, day lighting controls, and lighting relay panels to maximize energy savings. For motion control, reference options for both end and middle of the row applications. Standard dimming is 0-10V to 10% with 1%, step and Fifth Light DALI dimming options available.

**Electrical**

Long-Life LED system coupled with electrical driver to deliver optimal performance. LED's available in 3000K, 3500K, 4000K or 5000K with a minimum of 80 CRI. Projected life at 70% lumen maintenance is nearly 170,000 hours with TM21 rating up to L82 >60,000 hours. Electronic drivers are cULus recognized and available for 120-277V, 347V and 480V applications.

**Emergency Battery Pack Option**

Optional 120v-277v integral emergency battery pack is

available in 7-watts or 14-watts to meet critical life-safety lighting requirements. The 90-minute batteries provide constant power to the LED system, ensuring code-compliance. A test switch/indicator button can be tested safely from the ground using a laser pointer, while the patented EZ Key prevents accidental discharge of the battery during construction. See ordering information for details.

**Finish**

Multistage iron phosphate pretreatment ensures maximum bonding and rust inhibitor. High reflective paint after fabrication, baked white enamel finish is standard.

**Channel/Wireway Cover**

Die formed heavy gauge steel. Tight fit for ease of maintenance.

**Shielding**

Offers three different lensed optical distributions. (LC) Clear with linear optical ribs. (LN) Semi-frost for narrow distribution. (LW) Full frost for wide distribution.

**Installation**

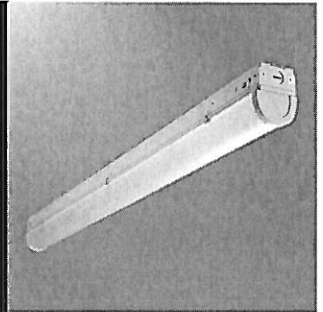
Fixture may be surface, pendant, or stem mounted. See accessories below in ordering information.

**Compliance**

Components are UL recognized. Indoor luminaires are cULus listed for 40° C ambient environments, RoHS compliant, damp location listed, and comply with IESNA LM-79. LEDs comply with LM-80 standards. Drivers are NEMA 410 compliant. DesignLights Consortium® Qualified and classified for both DLC Standard and DLC Premium, refer to www.designlights.org for details. Suitable for use in clothes closets when installed in accordance with the NEC 410.16 spacing requirements

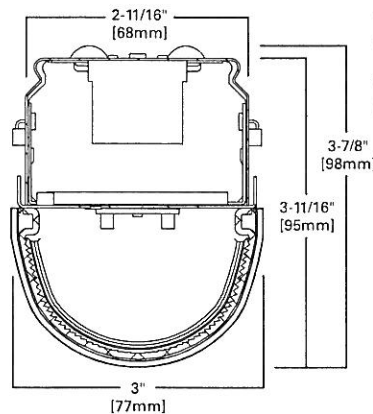
**Warranty**

Five-year warranty.

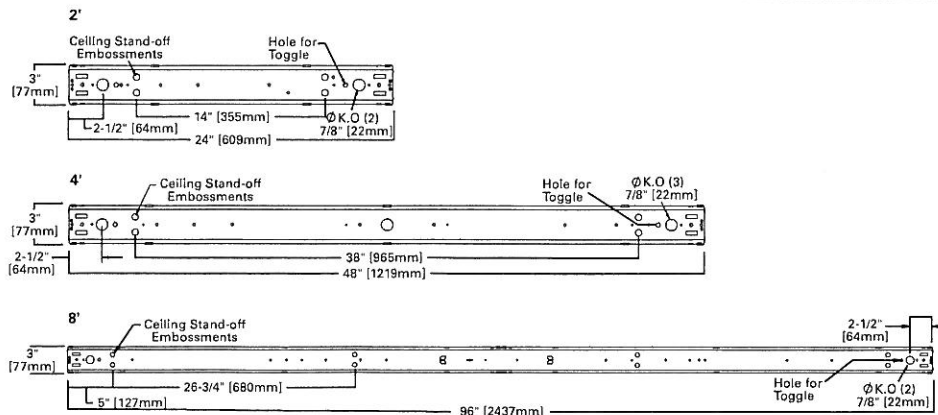


**SNLED LENSED LED**

Lensed LED Striplight



**MOUNTING DATA**



WATTAGE

SNLED Type	Lumen Type	Length	Catalog Number**	Nominal 3500K Lumens	Wattage	lm/W
Semi-Frost Lens (LN)	Standard	2 ft.	2SNLED-LD5-18SL-LN-UNV-L8XX-CD1-U	1983	15.9	125
Semi-Frost Lens (LN)	Standard	2 ft.	2SNLED-LD5-22SL-LN-UNV-L8XX-CD1-U	2289	17.2	133
Semi-Frost Lens (LN)	Standard	2 ft.	2SNLED-LD5-26SL-LN-UNV-L8XX-CD1-U	2620	20.1	130
Semi-Frost Lens (LN)	High	2 ft.	2SNLED-LD5-32HL-LN-UNV-L8XX-CD1-U	3341	25.8	130
Semi-Frost Lens (LN)	Standard	4 ft.	4SNLED-LD5-18SL-LN-UNV-L8XX-CD1-U	1898	14.6	130
Semi-Frost Lens (LN)	Standard	4 ft.	4SNLED-LD5-22SL-LN-UNV-L8XX-CD1-U	2313	16.0	144
Semi-Frost Lens (LN)	Standard	4 ft.	4SNLED-LD5-26SL-LN-UNV-L8XX-CD1-U	2744	19.3	142
Semi-Frost Lens (LN)	Standard	4 ft.	4SNLED-LD5-30SL-LN-UNV-L8XX-CD1-U	3106	22.1	141
Semi-Frost Lens (LN)	Standard	4 ft.	4SNLED-LD5-34SL-LN-UNV-L8XX-CD1-U	3463	24.9	139
Semi-Frost Lens (LN)	Standard	4 ft.	4SNLED-LD5-37SL-LN-UNV-L8XX-CD1-U	3800	27.7	137
Semi-Frost Lens (LN)	Standard	4 ft.	4SNLED-LD5-41SL-LN-UNV-L8XX-CD1-U	4137	30.6	135
Semi-Frost Lens (LN)	Standard	4 ft.	4SNLED-LD5-46SL-LN-UNV-L8XX-CD1-U	4570	34.6	132
Semi-Frost Lens (LN)	Standard	4 ft.	4SNLED-LD5-49SL-LN-UNV-L8XX-CD1-U	4989	38.7	129
Semi-Frost Lens (LN)	Standard	4 ft.	4SNLED-LD5-53SL-LN-UNV-L8XX-CD1-U	5389	42.8	126
Semi-Frost Lens (LN)	Standard	4 ft.	4SNLED-LD5-56SL-LN-UNV-L8XX-CD1-U	5777	47.1	123
Semi-Frost Lens (LN)	Standard	4 ft.	4SNLED-LD5-61SL-LN-UNV-L8XX-CD1-U	6155	51.5	120
Semi-Frost Lens (LN)	Standard	4 ft.	4SNLED-LD5-64SL-LN-UNV-L8XX-CD1-U	6410	54.9	117
Semi-Frost Lens (LN)	High	4 ft.	4SNLED-LD5-50HL-LN-UNV-L8XX-CD1-U	5063	37.0	137
Semi-Frost Lens (LN)	High	4 ft.	4SNLED-LD5-54HL-LN-UNV-L8XX-CD1-U	5407	40.0	135
Semi-Frost Lens (LN)	High	4 ft.	4SNLED-LD5-60HL-LN-UNV-L8XX-CD1-U	5747	43.0	134
Semi-Frost Lens (LN)	High	4 ft.	4SNLED-LD5-74HL-LN-UNV-L8XX-CD1-U	7474	61.8	121
Semi-Frost Lens (LN)	Standard	8 ft.	8TSNLED-LD5-60SL-LN-UNV-L8XX-CD1-U	6212	44.1	141
Semi-Frost Lens (LN)	Standard	8 ft.	8TSNLED-LD5-68SL-LN-UNV-L8XX-CD1-U	6926	49.7	139
Semi-Frost Lens (LN)	Standard	8 ft.	8TSNLED-LD5-75SL-LN-UNV-L8XX-CD1-U	7600	55.4	137
Semi-Frost Lens (LN)	Standard	8 ft.	8TSNLED-LD5-83SL-LN-UNV-L8XX-CD1-U	8273	61.2	135
Semi-Frost Lens (LN)	Standard	8 ft.	8TSNLED-LD5-91SL-LN-UNV-L8XX-CD1-U	9141	69.2	132
Semi-Frost Lens (LN)	Standard	8 ft.	8TSNLED-LD5-98SL-LN-UNV-L8XX-CD1-U	9978	77.4	129
Semi-Frost Lens (LN)	Standard	8 ft.	8TSNLED-LD5-106SL-LN-UNV-L8XX-CD1-U	10779	85.6	126
Semi-Frost Lens (LN)	High	8 ft.	8TSNLED-LD5-130HL-LN-UNV-L8XX-CD1-U	11494	85.9	134
Semi-Frost Lens (LN)	High	8 ft.	8TSNLED-LD5-170HL-LN-UNV-L8XX-CD2-U	14947	123.6	121

\* Stocked in either 3500K or 4000K. Check Flash for stock availability.

\*\* Lumen portion of catalog number may not match actual lumens.

**ORDERING INFORMATION**

SAMPLE NUMBER: 4SNLED-LD5-46SL-LN-UNV-L835-CD1-U

<p>2=2' Length 4=4' Length 8T=8' Length</p>	<p><b>Optic</b> LC=Clear Lens LN=Semi-Frost Lens - Narrow LW=Full Frost Lens - Wide</p>	<p><b>Driver Type</b> CD=0-10V Dimming Driver (10% - 100% Dimming) HCD=0-10V Dimming Driver (1% - 100% Dimming) <sup>(18)</sup> SD=Step-dim (Bi Level) <sup>(19), (21)</sup> 5LTD=Fifth Light (DALI) Driver <sup>(18), (20)</sup></p>	<p><b>Packaging</b> U=Unit Pack</p>																																																																																			
<p><b>Series</b> SNLED=Commercial LED Striplight <sup>(12)</sup></p>	<p><b>Voltage</b> UNV=Universal Voltage 120-277 347=347V 480=480V <sup>(23)</sup></p>	<p><b>Number of Drivers</b> 1=1 Driver 2=2 Drivers</p>																																																																																				
<p><b>Lamp Type</b> LD5=LED 5.0</p>	<p><b>Options</b> <b>Emergency</b> EL7W=7-watt, 120V-277V emergency battery pack installed <sup>(24), (26)</sup> EL14W=14-watt 120V-277V emergency battery pack installed <sup>(25), (26)</sup> GTD2=Bodine Generator Transfer Device <sup>(29)</sup> ETS2=IOTA Emergency Transfer Switch <sup>(30)</sup></p>																																																																																					
<p><b>LED Lumen Packages <sup>(11)</sup></b></p> <table border="1"> <thead> <tr> <th>LC</th> <th>LN</th> <th>LW</th> </tr> </thead> <tbody> <tr><td>18SL</td><td>18SL</td><td>16SL</td></tr> <tr><td>22SL</td><td>22SL</td><td>20SL</td></tr> <tr><td>26SL</td><td>26SL</td><td>23SL</td></tr> <tr><td>30SL</td><td>30SL</td><td>27SL</td></tr> <tr><td>34SL</td><td>32HL</td><td>30SL</td></tr> <tr><td>34HL</td><td>34SL</td><td>30HL</td></tr> <tr><td>37SL</td><td>37SL</td><td>33SL</td></tr> <tr><td>41SL</td><td>41SL</td><td>37SL</td></tr> <tr><td>46SL</td><td>46SL</td><td>41SL</td></tr> <tr><td>49SL</td><td>49SL</td><td>44SL</td></tr> <tr><td>52SL</td><td>50HL</td><td>44HL</td></tr> <tr><td>55SL</td><td>53SL</td><td>47SL</td></tr> <tr><td>56SL</td><td>54HL</td><td>48HL</td></tr> <tr><td>60SL</td><td>56SL</td><td>50SL</td></tr> <tr><td>60HL</td><td>60SL</td><td>54SL</td></tr> <tr><td>63SL</td><td>61SL</td><td>54HL</td></tr> <tr><td>66SL</td><td>60HL</td><td>56SL</td></tr> <tr><td>68SL</td><td>64SL</td><td>58SL</td></tr> <tr><td>75SL</td><td>68SL</td><td>61SL</td></tr> <tr><td>83SL</td><td>74HL</td><td>65HL</td></tr> <tr><td>90SL</td><td>75SL</td><td>67SL</td></tr> <tr><td>98SL</td><td>83SL</td><td>74SL</td></tr> <tr><td>105SL</td><td>91SL</td><td>81SL</td></tr> <tr><td>130HL</td><td>98SL</td><td>88SL</td></tr> <tr><td>170HL <sup>(2)</sup></td><td>106SL</td><td>95SL</td></tr> <tr><td></td><td>130HL</td><td>110HL</td></tr> <tr><td></td><td>170HL <sup>(2)</sup></td><td>150HL <sup>(2)</sup></td></tr> </tbody> </table>	LC	LN	LW	18SL	18SL	16SL	22SL	22SL	20SL	26SL	26SL	23SL	30SL	30SL	27SL	34SL	32HL	30SL	34HL	34SL	30HL	37SL	37SL	33SL	41SL	41SL	37SL	46SL	46SL	41SL	49SL	49SL	44SL	52SL	50HL	44HL	55SL	53SL	47SL	56SL	54HL	48HL	60SL	56SL	50SL	60HL	60SL	54SL	63SL	61SL	54HL	66SL	60HL	56SL	68SL	64SL	58SL	75SL	68SL	61SL	83SL	74HL	65HL	90SL	75SL	67SL	98SL	83SL	74SL	105SL	91SL	81SL	130HL	98SL	88SL	170HL <sup>(2)</sup>	106SL	95SL		130HL	110HL		170HL <sup>(2)</sup>	150HL <sup>(2)</sup>	<p><b>Wiring</b> PI/CPI=Plug in and cross over plug in options <sup>(31)</sup> PC6/515P=(NEMA 5-15P) 6' Cord with NEMA Straight Plug <sup>(10), (11)</sup> PC6/L715=(NEMA L7-15P) 6' Cord with NEMA Twist Plug <sup>(10), (11)</sup></p> <p><b>Motion Sensors</b> LB-ERMS360=360° Low Bay Motion Sensor - End of Row LB-MRMS360=360° Low Bay Motion Sensor - Middle of Row HB-ERMS360=360° High Bay Motion Sensor - End of Row <sup>(4)</sup> HB-MRMS360=360° High Bay Motion Sensor - Middle of Row <sup>(4)</sup></p> <p><b>CCT</b> L830=3000K L835=3500K L840=4000K L850=5000K</p>	<p><b>ACCESSORIES</b> (Order Separately) AYC=Chain/Set=36" Chain Hanger (Use 1 set per fixture) SCF=Fixed Stem Set (Specify Length) SCS=Swivel Stem Set (Specify Length) SCA=Adjustable 48" Stem Set EYE CHAIN SET/3FT=Eye Bolt Chain (Use 1 set per fixture) WG/SNF-2FT=2' Wire Guard WG/SNF-4FT=4' Wire Guard A1B/Spacer-U=Spacer 1-1/2" to 2-1/2" from ceiling (Use 2 per fixture) TOGGLE=Single Toggle No. 2 (Specify Length) Y-TOGGLE=Y Toggle No. 2 (Specify Length)</p>
LC	LN	LW																																																																																				
18SL	18SL	16SL																																																																																				
22SL	22SL	20SL																																																																																				
26SL	26SL	23SL																																																																																				
30SL	30SL	27SL																																																																																				
34SL	32HL	30SL																																																																																				
34HL	34SL	30HL																																																																																				
37SL	37SL	33SL																																																																																				
41SL	41SL	37SL																																																																																				
46SL	46SL	41SL																																																																																				
49SL	49SL	44SL																																																																																				
52SL	50HL	44HL																																																																																				
55SL	53SL	47SL																																																																																				
56SL	54HL	48HL																																																																																				
60SL	56SL	50SL																																																																																				
60HL	60SL	54SL																																																																																				
63SL	61SL	54HL																																																																																				
66SL	60HL	56SL																																																																																				
68SL	64SL	58SL																																																																																				
75SL	68SL	61SL																																																																																				
83SL	74HL	65HL																																																																																				
90SL	75SL	67SL																																																																																				
98SL	83SL	74SL																																																																																				
105SL	91SL	81SL																																																																																				
130HL	98SL	88SL																																																																																				
170HL <sup>(2)</sup>	106SL	95SL																																																																																				
	130HL	110HL																																																																																				
	170HL <sup>(2)</sup>	150HL <sup>(2)</sup>																																																																																				

NOTES: <sup>(1)</sup> Nominal lumen values. See table for value and fixture length. <sup>(2)</sup> Two drivers required. <sup>(3)</sup> 4 ft. and 8 ft. only. <sup>(4)</sup> Motion Sensor offers dimmability. <sup>(5)</sup> Available for 41 watts and above. Two drivers required for 85 watts and above. For a complete listing of Fifth Light products, visit [www.eaton.com/lightingsystems](http://www.eaton.com/lightingsystems). <sup>(6)</sup> With integral test switch/indicator/laser test. For approximate delivered lumens multiply the lumens per watt of the desired fixture by the wattage of the emergency battery pack (100 lm/W x 7=700 lumens). IES-format photometry for luminaire under emergency operation available. <sup>(7)</sup> Available for 41 Watts and above. Two drivers required for 69 watts and above. <sup>(8)</sup> Requires two drivers for 61 watts and above. <sup>(9)</sup> Used to transfer fixture to secondary power source for life-safety operation. When used with a dimming fixture, two devices are required to ensure control is disabled while operating under emergency power. <sup>(10)</sup> Most common C&P shown. Must specify location for cord. All "end" locations will be on the end with sensor installed. <sup>(11)</sup> Consult tech support on numerous options for this feature. <sup>(12)</sup> DesignLights Consortium® Qualified and classified for both DLC Standard and DLC Premium, refer to [www.designlights.org](http://www.designlights.org) for details.

Specifications & dimensions subject to change without notice. Consult your Eaton Representative for availability and ordering information.

**SHIPPING DATA**

Length.	Wt.
2 ft.	4.3 lbs.
4 ft.	8.2 lbs.
8 ft.	15.1 lbs.



Eaton  
1121 Highway 74 South  
Peachtree City, GA 30269  
P. 770-486-4800  
[www.eaton.com/lighting](http://www.eaton.com/lighting)

Specifications and dimensions subject to change without notice.

FC

# Metalux AP Series

## DESCRIPTION

FM series is a versatile LED ceiling or wall mount series which can be used in a broad range of residential and commercial applications. This series provides customers with a high quality luminaire utilizing the latest LED, solid state lighting and electronic driver technology for optimal performance and maximized energy efficiency. With a traditional opal white lens, the FM series produces even, uniform light distribution and ideal choice for offices, corridors, stairways, bedroom, closet and foyers applications where customers are replacing incandescent, circline or compact fluorescent lamps.

<b>Catalog #</b>		<b>Type</b>
<b>Project</b>		
<b>Comments</b>		<b>Date</b>
<b>Prepared by</b>		

## SPECIFICATION FEATURES

### Construction

Housing consists of die formed steel which is post painted to offer the ideal aesthetics. Diffuser are white opal injection molded acrylic blends offering the ideal light distribution. These lens are offered in three different sizes: 12, 16 and 20 inch models. Lens are attached with easy mount clips.

### Controls

Equipped standard with non-dimmable electronic drivers which provides extensive energy savings over existing fluorescent lamp options. All drivers are suitable for 120V applications.

### Electrical

Long-Life LED system coupled with electrical driver to deliver optimal performance. LEDs are 3000K or 4000K with a typical CRI 80. Projected life is 35,000 hours at 70% lumen output.

### Shielding

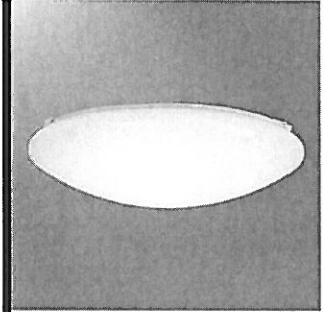
Specially developed LED lens blend allows this product series to offer optimal light out and providing smooth even illumination with no pixilation. Lenses are designed from smooth opal white acrylic and provide 360° uniform light distribution. Lens is securely held in place by swing clips and can be easily removed for installation and maintenance.

### Installation

Fixture may be surface (wall or ceiling) mounted.

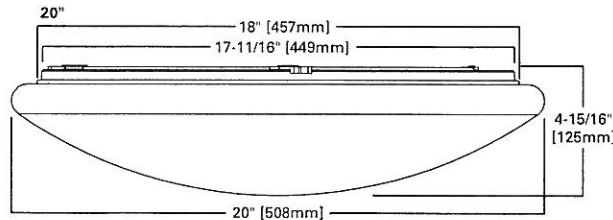
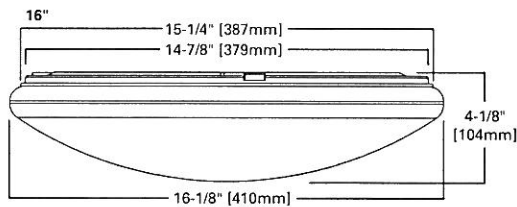
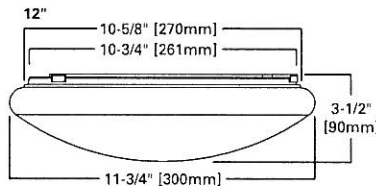
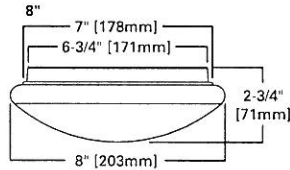
### Compliance

UL/CUL Listed. Energy Star Qualified. Lighting Facts Approved. Suitable for Damp locations.



**FMLED  
LED**

Wall or Ceiling Mount



## WATTAGE

Size	3000K	4000K	Watts
8"	577	635	8
12"	1018	1055	14
16"	1707	1975	22
20"	2300	2399	32

FL6

**ORDERING INFORMATION**

SAMPLE NUMBER: FMLED12WH840PR

<b>Application</b> FM=Flush Mount	<b>Color</b> WH=White
<b>Lamp Type</b> LED	<b>CCT</b> 830=3000K 840=4000K
<b>Fixture Size</b> 8=8" 12=12" 16=16" 20=20"	<b>Fixture Shape</b> PR=Round

Specifications & dimensions subject to change without notice. Consult your Eaton Representative for availability and ordering information.

**3000K**

**lighting facts**  
A Program of the U.S. DOE

Light Output (Lumens)	577
Watts	7.85
Lumens per Watt (Efficacy)	73.5

Color Accuracy Color Rendering Index (CRI)	88
---	----

**Light Color**  
Correlated Color Temperature (CCT) **3000 (Bright White)**

2700K 3000K 4500K 6500K

All results are according to IEC61347-2-13:2008 Approved Method for the Electrical and Photometric Testing of Solid-State Lighting. The U.S. Department of Energy (DOE) verifies product test data and results.

Visit [www.lightingfacts.com](http://www.lightingfacts.com) for the Label Reference Guide.

Registration Number: F4QJ NHUYLL (4/28/2015)  
Model Number: FMLED8WH830PR  
Type: Luminaire - Other

**lighting facts**  
A Program of the U.S. DOE

Light Output (Lumens)	1018
Watts	13.92
Lumens per Watt (Efficacy)	73.15

Color Accuracy Color Rendering Index (CRI)	88
---	----

**Light Color**  
Correlated Color Temperature (CCT) **2983 (Warm White)**

2700K 3000K 4500K 6500K

All results are according to IEC61347-2-13:2008 Approved Method for the Electrical and Photometric Testing of Solid-State Lighting. The U.S. Department of Energy (DOE) verifies product test data and results.

Visit [www.lightingfacts.com](http://www.lightingfacts.com) for the Label Reference Guide.

Registration Number: F4QJ 7XJ1V9 (3/26/2015)  
Model Number: FMLED12WH830PR  
Type: Luminaire - Other

**lighting facts**  
A Program of the U.S. DOE

Light Output (Lumens)	1707
Watts	21.64
Lumens per Watt (Efficacy)	78.91

Color Accuracy Color Rendering Index (CRI)	88
---	----

**Light Color**  
Correlated Color Temperature (CCT) **3004 (Bright White)**

2700K 3000K 4500K 6500K

All results are according to IEC61347-2-13:2008 Approved Method for the Electrical and Photometric Testing of Solid-State Lighting. The U.S. Department of Energy (DOE) verifies product test data and results.

Visit [www.lightingfacts.com](http://www.lightingfacts.com) for the Label Reference Guide.

Registration Number: F4QJ M6RCLU (3/25/2015)  
Model Number: FMLED16WH830PR  
Type: Luminaire - Other

**lighting facts**  
A Program of the U.S. DOE

Light Output (Lumens)	2300
Watts	29.25
Lumens per Watt (Efficacy)	78.63

Color Accuracy Color Rendering Index (CRI)	88
---	----

**Light Color**  
Correlated Color Temperature (CCT) **3000 (Bright White)**

2700K 3000K 4500K 6500K

All results are according to IEC61347-2-13:2008 Approved Method for the Electrical and Photometric Testing of Solid-State Lighting. The U.S. Department of Energy (DOE) verifies product test data and results.

Visit [www.lightingfacts.com](http://www.lightingfacts.com) for the Label Reference Guide.

Registration Number: F4QJ JWSJKT (4/28/2015)  
Model Number: FMLED20WH830PR  
Type: Luminaire - Other

**SHIPPING DATA**

Catalog No.	Individual Wt.	Master Pack
FMLED8	1.0 lbs.	8
FMLED12	1.8 lbs.	4
FMLED16	3.5 lbs.	4
FMLED20	5.5 lbs.	2



Eaton  
1000 Eaton Boulevard  
Cleveland, OH 44122  
United States  
Eaton.com

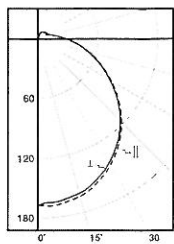
Eaton's Cooper Lighting Business  
1121 Highway 74 South  
Peachtree City, GA 30269  
P 770-486-4800  
[www.eaton.com/lighting](http://www.eaton.com/lighting)

Specifications and dimensions subject to change without notice.

ADF142366  
2015-08-17 09:45:52

FC

PHOTOMETRICS



**FMLED8WH840PR**  
 Electronic Driver  
 Linear LED 4000K  
 Spacing criterion:  
 (H) 1.3 x mounting  
 height, (L) 1.3 x  
 mounting height  
 Lumens: 635  
 Input Watts: 8.8W  
 Efficacy: 72.2 lm/W  
 Test Report:  
 FMLED8WH840PR.  
 IES

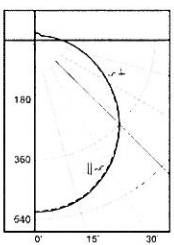
Angle	Along II	45°	Across I
0	165	165	165
5	164	166	163
10	162	164	161
15	159	161	158
20	154	157	154
25	148	150	147
30	142	143	141
35	134	135	133
40	125	126	124
45	115	117	115
50	105	106	104
55	94	95	93
60	83	84	82
65	72	73	72
70	62	63	62
75	53	53	53
80	44	44	44
85	36	37	36
90	29	30	30

Coefficients of Utilization

rc	Effective floor cavity reflectance																		
	80%				70%				20%										
rw	70	50	30	10	70	50	30	10	50	30	10	0							
RCR	0	116	116	116	116	112	112	112	112	104	104	104	97	97	97	90	90	90	87
1	104	98	93	88	89	94	90	85	88	84	80	81	78	76	76	73	71	68	68
2	93	84	77	70	89	81	74	68	75	70	65	70	66	61	65	62	58	55	55
3	85	73	65	58	81	71	63	56	66	59	54	61	56	51	57	53	49	46	46
4	77	65	55	48	74	62	54	47	58	51	45	54	48	43	51	46	41	39	39
5	71	57	48	41	68	56	47	40	52	44	39	49	42	37	45	40	36	33	33
6	65	52	42	36	63	50	41	35	47	39	34	44	37	32	41	36	31	29	29
7	60	47	38	31	58	45	37	31	42	35	30	40	33	29	38	32	28	25	25
8	56	42	34	28	54	41	33	27	39	32	26	37	30	25	34	29	25	22	22
9	52	39	30	25	50	38	30	24	36	29	24	34	27	23	32	26	22	20	20
10	49	36	28	22	47	35	27	22	33	26	21	31	25	21	29	24	20	18	18

Zonal Lumen Summary

Zone	Lumens	% Fixture
0-30	129	20.4
0-40	213	33.6
0-60	388	60.9
0-90	554	87.2
0-180	635	100.0



**FMLED16WH840PR**  
 Non-Dim Driver  
 Linear LED 4000K  
 Spacing criterion:  
 (H) 1.3 x mounting  
 height, (L) 1.3 x  
 mounting height  
 Lumens: 1887  
 Input Watts: 22.8W  
 Efficacy: 82.8 lm/W  
 Test Report:  
 FMLED16WH-  
 840PR.IES

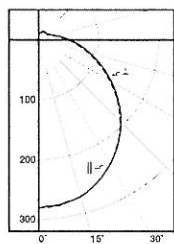
Angle	Along II	45°	Across II
0	520	520	520
5	515	518	519
10	510	513	513
15	500	503	504
20	485	488	488
25	465	468	468
30	443	446	447
35	417	420	421
40	389	392	392
45	368	361	361
50	324	328	328
55	288	291	291
60	253	254	255
65	216	219	219
70	184	184	184
75	151	152	152
80	122	123	123
85	96	97	98
90	74	75	76

Coefficients of Utilization

rc	Effective floor cavity reflectance																		
	80%				70%				20%										
rw	70	50	30	10	70	50	30	10	50	30	10	0							
RCR	0	117	117	117	113	113	113	113	105	105	105	99	99	99	93	93	93	90	
1	104	99	94	89	101	96	91	87	89	86	82	84	81	78	78	76	74	71	71
2	94	85	78	71	91	82	76	70	77	71	67	72	68	64	68	64	61	58	58
3	86	74	66	59	82	72	64	57	67	61	55	63	58	53	59	55	51	48	48
4	78	66	56	49	75	64	55	48	60	52	47	56	50	45	53	48	43	41	41
5	72	58	49	42	69	57	48	41	53	46	40	50	44	39	47	42	37	35	35
6	66	52	43	37	63	51	42	36	48	40	35	45	39	34	43	37	33	30	30
7	61	47	38	32	59	46	38	32	44	36	31	41	35	30	39	33	29	27	27
8	57	43	34	29	55	42	34	28	40	33	27	38	31	27	36	30	26	24	24
9	53	40	31	26	51	39	31	25	37	30	25	35	28	24	33	27	23	21	21
10	50	36	28	23	48	36	28	23	34	27	22	32	26	22	31	25	21	19	19

Zonal Lumen Summary

Zone	Lumens	% Fixture
0-30	407	21.6
0-40	670	35.5
0-60	1210	64.1
0-90	1694	89.8
0-180	1887	100.0



**FMLED12WH840PR**  
 Non-Dim Driver  
 Linear LED 4000K  
 Spacing criterion:  
 (H) 1.3 x mounting  
 height, (L) 1.3 x  
 mounting height  
 Lumens: 1065  
 Input Watts: 14.2W  
 Efficacy: 72.0 lm/W  
 Test Report:  
 FMLED12WH-  
 840PR.IES

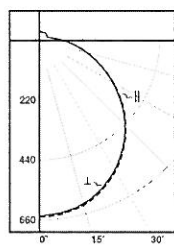
Angle	Along II	45°	Across II
0	281	281	281
5	280	280	279
10	276	277	275
15	271	271	271
20	262	263	262
25	251	252	251
30	239	240	239
35	224	226	225
40	209	210	210
45	192	194	194
50	174	176	177
55	156	157	158
60	137	138	140
65	119	120	122
70	102	103	105
75	86	88	89
80	71	73	75
85	59	60	62
90	47	49	50

Coefficients of Utilization

rc	Effective floor cavity reflectance																		
	80%				70%				20%										
rw	70	50	30	10	70	50	30	10	50	30	10	0							
RCR	0	116	116	116	112	112	112	112	104	104	104	97	97	97	90	90	90	87	
1	104	98	93	88	99	94	90	86	88	84	81	81	79	76	76	73	71	68	68
2	93	84	77	70	89	81	74	69	76	70	65	70	66	62	65	62	58	55	55
3	85	73	65	58	81	71	63	56	66	59	54	61	56	51	57	53	49	46	46
4	77	65	55	48	74	63	54	47	58	51	45	54	48	43	51	46	41	39	39
5	71	58	48	41	68	56	47	41	52	45	39	49	42	37	46	40	36	33	33
6	65	52	42	36	63	50	41	35	47	39	34	44	38	33	41	36	31	29	29
7	61	47	38	32	58	45	37	31	43	35	30	40	34	29	38	32	28	25	25
8	56	43	34	28	54	41	33	27	39	32	27	37	30	26	35	29	25	23	23
9	53	39	31	25	50	38	30	25	36	29	24	34	28	23	32	26	22	20	20
10	49	36	28	23	47	35	27	22	33	26	22	31	25	21	30	24	20	18	18

Zonal Lumen Summary

Zone	Lumens	% Fixture
0-30	219	20.6
0-40	360	33.8
0-60	650	61.0
0-90	928	87.1
0-180	1065	100.0



**FMLED20WH840PR**  
 Non-Dim Driver  
 Linear LED 4000K  
 Spacing criterion:  
 (H) 1.3 x mounting  
 height, (L) 1.3 x  
 mounting height  
 Lumens: 2336  
 Input Watts: 32W  
 Efficacy: 74.0 lm/W  
 Test Report:  
 FMLED20WH-  
 840PR.IES

Angle	Along II	45°	Across II
0	647	647	647
5	646	649	641
10	638	642	633
15	626	629	620
20	607	610	601
25	582	586	576
30	555	558	549
35	522	525	516
40	486	489	481
45	446	449	441
50	404	406	399
55	358	360	353
60	312	314	308
65	267	269	264
70	225	226	222
75	185	185	181
80	149	149	146
85	117	117	115
90	90	90	88

Coefficients of Utilization

rc	Effective floor cavity reflectance																		
	80%				70%				20%										
rw	70	50	30	10	70	50	30	10	50	30	10	0							
RCR	0	116	116	116	112	112	112	112	105	105	105	98	98	98	92	92	92	89	
1	104	99	94	90	100	96	91	87	89	86	82	83	80	78	78	76	74	71	71
2	94	85	78	72	91	82	76	70	77	71	67	72	67	63	68	64	60	58	58
3	86	74	66	59	82	72	64	58	67	61	55	63	58	53	59	55	51	48	48
4	78	66	56	49	75	64	55	49	60	52	47	56	50	45	53	47	43	40	40
5	72	58	49	42	69	57	48	42	53	46	40	50	44	39	47	42	37	35	35
6	66	53	43	37	64	51	42	36	48	41	35	45	39	34	43	37	33	30	30
7	61	47	38	32	59	46	38	32	44	36	31	41	35	30	39	33	29	27	27
8	57	43	34	29	55	42	34	28	40	33	27	38	31	27	36	30	26	24	24
9	53	40	31	26	51	39	31	25	37	30	25	35	28	24	33	27	23	21	21
10	50	36	29	23	48	36	28	23	34	27	22	32	26	22	31	25	21	19	

F7

**HALO®**

**HALO LED ICAT HOUSING for NEW CONSTRUCTION**

Recessed 5" aperture new construction housing for use with LED integrated trims or modules. Suitable for 2x8 residential framing or commercial plenum construction, type IC rated and can be used in direct contact with insulation\*. Airtight rating reduces airflow between living spaces and unconditioned areas providing additional energy savings. Use with Halo® LT56, SMD6, RL56, RA56, SLD6 LED integrated trims and the ML56 LED modular recessed lighting system.

<b>Catalog #</b>		<b>Type</b>
<b>Project</b>		
<b>Comments</b>		<b>Date</b>
<b>Prepared by</b>		

**DESIGN FEATURES**

**Housings**

- Single wall precision rolled aluminum housing with interlocking construction maintains concentricity
- Adjusts vertically to accommodate 3/8" to 1" thick ceilings and locks in position with (3) setscrews
- V notches facilitate use of guide strings or laser lines for precise positioning
- Shipped with overspray protector installed
- Housing can be removed from below the ceiling for service or splice inspection

**Plaster Frame**

- Compact galvanized steel plaster frame with integral bar hanger receivers
- (2) regressed screws provide positive horizontal bar hanger locking from below the ceiling
- Integral gasket achieves ASTM-E283 airtight code compliance without additional gaskets or caulk

**Junction Box**

- Compact galvanized steel junction box with 16in<sup>3</sup> internal volume
- Listed for (10) #12 or (14) #14 AWG 90° C splice conductors
- (4) 1/2" conduit pry-outs positioned to allow straight conduit runs.
- (3) Slide-N-Side™ non-metallic (NM) wire traps allows wiring outside the box
- Accepts 14-2, 14-3, 12-2, 12-3 U.S. and 14-2, 14-3, 12-2 Canadian NM cable
- (3) 4-port push wire nuts with clear caps for quick and reliable mains voltage connections
- Hinged door with offset cover for easy wire access
- Junction box is repositionable 90° on plaster frame to avoid obstructions

**Bar Hangers**

- Captive preinstalled All-Nail™ bar hangers support housing at any point along span
- Pass-N-Thru™ feature adjust bars from 7-1/4" to 24" wide without removal
- Score lines allow "tool-less" shortening for 12" joists
- Captive nail penetrates standard and engineered lumber
- Leveling flange aligns plaster frame with framing
- Integral clip attaches directly to tee-bar

**Connector**

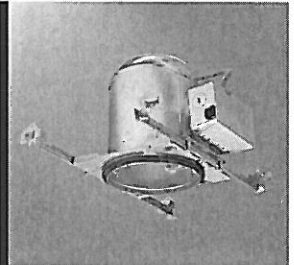
- Two-conductor wire mount connector is rated for 120-277V
- CAUTION – verify LED module input voltage is compatible with the input voltage of the housing. If uncertain, consult a qualified electrician
- cULus listed with Halo® LT56, SMD6, RL56, RA56, SLD6 and ML56 family of LED integrated trims

**Code Compliance**

- Type IC inherently protected, suitable for direct contact to air permeable insulation and cULus listed for damp locations
- Not for use in direct contact with spray foam insulation, consult NEMA LSD57-2013
- Wet location listed in covered ceilings and IP56 certified with select trims
- Airtight per ASTM-E283
- Can be used for State of California Title 24 high efficacy luminaire compliance
- Suitable for use in clothes closets when installed in accordance with the NEC 410.16 spacing requirements
- Contains no mercury or lead and RoHS compliant

**Warranty**

- Five year limited warranty, consult website for details [www.eaton.com/lighting/Legal](http://www.eaton.com/lighting/Legal)



**E550ICAT**

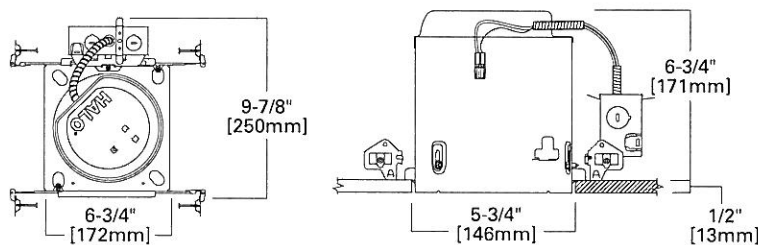
5" Recessed New Construction Housing

For Integrated LED Trims and Modules

20W Maximum

FOR USE IN INSULATED CEILINGS

FOR DIRECT CONTACT WITH INSULATION



\* Not to be used in direct contact with spray foam insulation.

Refer to ENERGY STAR® certified Products List and CEC (T20) Database for compatible Halo LED listings.

**ORDERING INFORMATION - E550ICAT**

**SAMPLE NUMBER:** E550ICAT - RL560WH6927

A complete luminaire consists of a housing, LED integrated trim or LED module and trim, order separately.

Housing	Trims
E550ICAT= 5" new construction housing for LED integrated trims or modules	LT56 Family SMD6 Family RA56 Family RL56 Family SLD6 Family ML56 Family

**DESCRIPTION**

592 Series LED Trims - 5-inch Aperture Reflectors - are integral elements in the Halo ML56 LED Downlighting System. ML56 LED System is a series of modular LED Light Modules for use with dedicated 5" or 6" ML56 LED trims. The ML56 LED trims in 5" and 6" aperture sizes are designed to fit Halo, All-Pro and others 5" or 6" recessed housings. The ML56 system is suitable for new construction, remodel or retrofit installation.

Catalog #		Type
Project		
Comments		Date
Prepared by		

**SPECIFICATION FEATURES**

592 Series LED trims are 5-inch aperture reflectors offered in Specular Clear, Haze (Semi-Specular Clear), and White (Matte White). 592 Series Reflectors also feature matte white finish flange. The precision spun aluminum reflector provides excellent optical performance. The 592 reflectors may be used in most standard height 5-inch aperture recessed housings; Halo, All-Pro, and more (refer to ML56 LED Light Module specifications for details).

- For use with ML56 Series LED light modules
- For use in standard housings
- Reflectors with self-flange
- Wet location shower listed with ML56 LED Light Modules
- Torsion springs pull trim and light module tight to ceiling
- ML56 reflector trims and modules make any housing AIR-TITE™ (ASTM E283)

**Compatible with ML56 LED System of LED Downlight Light Modules**

**600 Series - 80CRI, 600lm**

**5"/6" LED Retrofit Downlight Engine**

- ML5606827 - 2700K
- ML5606830 - 3000K
- ML5606835 - 3500K
- ML5606840 - 4000K

**600 Series - 90CRI, 600lm**

**5"/6" LED Retrofit Downlight Engine**

- ML5606927 - 2700K
- ML5606930 - 3000K
- ML5606935 - 3500K
- ML5606940 - 4000K

**900 Series - 80CRI, 900lm**

**5"/6" LED Retrofit Downlight Engine**

- ML5609827 - 2700K
- ML5609830 - 3000K
- ML5609835 - 3500K
- ML5609840 - 4000K

**900 Series - 90CRI, 900lm**

**5"/6" LED Retrofit Downlight Engine**

- ML5609927 - 2700K
- ML5609930 - 3000K
- ML5609935 - 3500K
- ML5609940 - 4000K

**1200 Series - 80CRI, 1200lm**

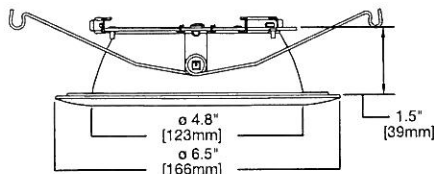
**5"/6" LED Retrofit Downlight Engine**

- ML5612827 - 2700K
- ML5612830 - 3000K
- ML5612835 - 3500K
- ML5612840 - 4000K

**1200 Series - 90CRI, 1200lm**

**5"/6" LED Retrofit Downlight Engine**

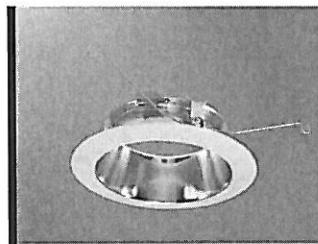
- ML5612927 - 2700K
- ML5612930 - 3000K
- ML5612935 - 3500K
- ML5612940 - 4000K



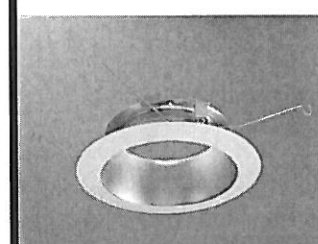
**ORDERING INFORMATION**

SAMPLE NUMBER: 592SC

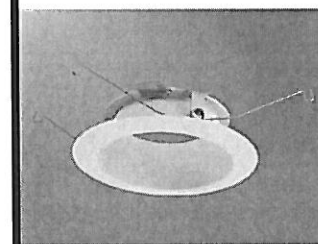
Trim	Finish	Accessory
592= 5" Reflector	SC=Specular Clear, White Flange H=Haze (Semi-Specular), White Flange W=White (Matte White), White Flange	TRM590WH=5" LED Oversize Trim Ring for use with 59" series trims, White 6.3" I.D., 7.5" O.D. Ring slips over LED trim. Inset design allows 5" trim to fit into oversize ring for an even trim surface



**592SC**



**592H**



**592W**

**592 Series LED Trim**

**5-Inch Reflector**

For use with  
**Halo ML56 LED System**



**Description**

The Halo ML56 LED Downlighting System is a series of modular LED Modules for use with designated 5" or 6" ML56 LED trims in new construction, remodel and retrofit installation. Compatible with Halo 5" H550 and 6" H750, H2750 Series LED housings. And in retrofit of existing housings the ML56 Series fits 5" or 6" Halo and others. ML56 Modules are offered in 600 Series, 900 Series, and 1200 Series, 80CRI or 90CRI, and four color temperatures 2700K, 3000K, 3500K, 4000K. ML56 Modules are universal voltage 120V – 277V and dimmable at 120V. The ML56 lens provides uniform diffuse illumination standard.

<b>Catalog #</b>		<b>Type</b>
<b>Project</b>		
<b>Comments</b>		<b>Date</b>
<b>Prepared by</b>		

**Specification Features**

**Mechanical**

**Light Module**

- Module includes LED package, LED driver, heat sink, and lens
- Durable die-cast aluminum construction.
- Heat sink designed to conduct heat away from the LED keeping the junction temperatures below specified maximums, including insulated ceiling environments

**Lens**

- Impact-resistant polycarbonate
- Convex form for lamp-like appearance
- High lumen transmission
- Diffusing for even illumination

**Mounting**

- Modules attach to reflector and baffle trims via locking tabs, and attach to eyeballs via keyed twist-to-lock mating bosses
- The complete module and trim assembly installs into housings with precision formed torsion springs located on the trim
- Friction Blade mounting is an alternate option using the accessory 6" Friction Blade Kit model ML56CLIP (order separately). Friction blades provide alternative to torsion springs for retrofit in 6" housings without torsion mounting tabs. ML56CLIP is compatible with 6" baffle and reflector trims only (691, 692, 693, 695, 696 series). For eyeball trim (694 series) use ML7RAB retrofit adapter band

**Housing Compatibility**

A complete ML56 system includes a LED Module, LED trim, and a compatible housing (new construction, remodel, or existing retrofit). Housing compatibility in the ML56 System is determined by the ML56 trim dimensions. ML56 trims are available in 5" and 6" aperture (5" = 59xx series and 6" = 69xx series trims). Refer to Housing – Trim Section in this document.

**LED**

- 900 Series = 900 design lumens typical.
- Delivered lumens vary depending upon 5" or 6", color temperature, and trim finish.

- Color Temperature options: 2700K, 3000K, 3500K, 4000K
- CRI: 90, R9>50
- L70 at 50,000 hours, projected in accordance with IES TM-21
- LED is a chip on board design consisting of a multiple LED package to create one virtual light source for a productive "cone of light"

**Color Specification & Quality Standards**

- A tight chromaticity specification to ensure LED color uniformity, sustainable Color Rendering Index (CRI) and Correlated Color Temperature (CCT) over the useful life of the LED
- LED color uniformity of 3 SDCM exceeds ENERGY STAR® color standards per ANSI C78.377-2008.
- High color performance with 90CRI minimum, and R9 greater than 50.
- Every Halo LED Module is quality tested and performance measured, and then serialized in a permanent record to register lumens, wattage, CRI and CCT.
- Halo LED serialized testing and measurement process ensures color and lumen consistency on a per-unit basis, and validates long-term product consistency over time
- Halo ML56 LED Modules include lumen, CRI, and CCT designations in the model number Example: **ML5609930**  
**56** = 5" / 6" aperture series  
**09** = 900 lumen series  
**9** = >90 CRI  
**30** = 3000K nominal CCT

**Electrical Power Connections**

- LED connector is a non-screw base luminaire disconnect offering easy installation with the matching Halo 5" H550 series and 6" H750 and H2750 series housings (housing selected depends upon LED trim 5" or 6").
- LED Connector meets high-efficacy luminaire requirement for a non-screw base, and where required.
- The included E26 medium screw-base Edison adapter\* provides easy retrofit of incandescent housings (see Housing Section).

**Ground Connection**

Separate grounding cable included on the module for attachment to the housing during installation.

**LED Driver**

- Driver is universal voltage 120V-277V, and may be controlled from a switch in this range of main inputs (switchable at 120V, 220V, 230V, 240V, and 277V)
- Driver is dimmable at 120V operation when connected to a compatible dimmer.
- Driver is a high efficiency, electronic power supply providing DC power to the LED.
- Driver meets FCC EMI/RFI Consumer Level limits on 120V main inputs, and is compliant for use in residential and commercial installations.
- Driver features high power factor, low THD, and has integral thermal protection in the event of over temperature or internal failure.
- Driver is replaceable, if replacement should be required.

**Dimming**

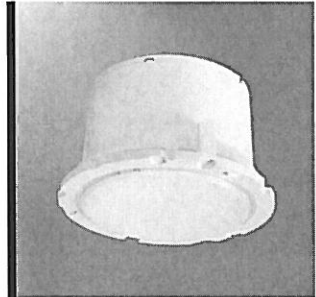
Designed for dimming capability to nominal 5% in normal operation with standard 120V Leading Edge (LE) and Trailing Edge (TE) phase control dimmers (Consult dimmer manufacturer for dimmer compatibility and details. Note, some dimmers require a neutral in the wallbox.)

**Warranty**

Eaton provides a (5) five year limited warranty on the Halo ML56 LED Module.

**LED Module in New or Retrofit Existing Construction – Housings other than Halo**

- If used in recessed housings other than Halo the Eaton 5-year limited warranty applies to the LED Module and Trim only.
- As with any electrical installation, a qualified electrician must ensure compatibility of use with a particular housing; this includes all applicable national and local electrical and building codes. Installer is responsible to properly and securely retain the LED Module and LED Trim in the housing at time of installation.



**ML56 LED System**

**900 Series / 90 CRI**

- ML5609927**
- ML5609930**
- ML5609935**
- ML5609940**

**5-Inch and 6-Inch  
900 Lumen LED  
Module for**

**New Construction,  
Remodel and Retrofit**

**For use with 59x and 69x  
Series Trims**

**FOR USE IN  
INSULATED CEILING  
AND NON-INSULATED  
CEILING RATED  
HOUSINGS**

**HIGH EFFICACY LED  
WITH INTEGRAL  
DRIVER - DIMMABLE**

**Energy Data**

<b>ML56 900/90 Series</b>
(Values at non-dimming line voltage)
Minimum Starting Temp -30°C (-22°F)
EMI/RFI, FCC Title 47 CFR, Part 15, (Consumer)
Sound Rating, Class A
Input Voltage, UNV 120V-277V
Power Factor: >0.95 @ 120V and >0.9 @ 277V
Input Frequency, 50/60Hz
THD <20%
Input Power: 9.4W
Input Current at 120V, 0.15A
Input Current at 277V, 0.08A
Driver Compliance: UL8750, Class II rated
Maximum IC (Insulated Ceiling) Ambient Continuous Operating Temperature: 25°C (77°F)
Maximum Non-IC Ambient Continuous Operating Temperature: 40°C (104°F)



**ML5609927**  
5" or 6" LED 900 Series



**ML5609930**  
5" or 6" LED 900 Series



**ML5609935**  
5" or 6" LED 900 Series



**ML5609940**  
5" or 6" LED 900 Series

**Compliance**

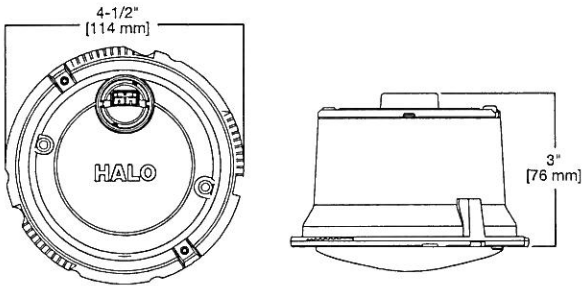
- cULus listed 1598 Luminaire (Halo housings)
  - UL Classified when used in retrofit (refer to housing section)
  - cULus listed for damp locations
  - cULus Wet location listed with baffle and reflector trims only
  - Airtight certified per ASTM E283 (not exceeding 2.0 CFM under 57 Pascals pressure difference)
  - IP66 ingress protection rated with baffle and reflector trims only
  - RoHS compliant
  - May be used in IC (insulated ceiling) housings in direct contact with insulation\* and combustible material
  - Can be used for California Title 24 compliance
  - Can be used for International Energy Conservation Code (IECC) high efficiency luminaire compliance.
  - Can be used for Washington State Energy Code compliance
  - ENERGY STAR® certified luminaire - consult ENERGY STAR® Certified product list
  - EMI/RFI per FCC 47CFR Part 15 Class B Consumer limits (commercial and residential compliant)
  - Photometric testing in accordance with IES LM-79
  - Lumen maintenance projections in accordance with IES LM-80 and TM-21
  - CE Mark - "Conformité Européene" conformity with the Council of European Communities Directives, meeting internationally recognized compliance when used with Halo H550, H750, and H2750 Series LED housings only
- \* Not for use with housings in direct contact with spray foam insulation.



Refer to ENERGY STAR® Qualified Products List.  
Can be used to comply with California Title 24 High Efficacy requirements.



**Dimensions**



**Ordering Information**

Sample Number: **ML5609930 593WB**  
Order LED Module and trim separately.

A complete system also includes a compatible housing (new construction, remodel, or existing retrofit). Housing aperture size in the ML56 System is determined by the ML56 trim dimensions. ML56 trims are available in 5" and 6" aperture (5" = 59xx series and 6" = 69xx series trims). Refer to Housing Section in this document.

**ML56 LED Modules**  
900 Series / 90 CRI

**ML5609927**= 5/8" LED module, 900 lumen, 90CRI, 2700K  
**ML5609930**= 5/8" LED module, 900 lumen, 90CRI, 3000K  
**ML5609935**= 5/8" LED module, 900 lumen, 90CRI, 3500K  
**ML5609940**= 5/8" LED module, 900 lumen, 90CRI, 4000K  
**ML5606D2W930**= 5/8" dim-to-warm LED module, 900 lumen, 90CRI, 1850K

**California non-E26 modules<sup>1</sup>**

**ML5612927-CA**= 5/8" LED module, 900 lumen, 90CRI, 2700K, California non-E26  
**ML5612930-CA**= 5/8" LED module, 900 lumen, 90CRI, 3000K, California non-E26  
**ML5612935-CA**= 5/8" LED module, 900 lumen, 90CRI, 3500K, California non-E26  
**ML5612940-CA**= 5/8" LED module, 900 lumen, 90CRI, 4000K, California non-E26

**ML56 LED 5" and 6" Trims**

**590 Series - 5" LED Trims**

**591WB**=5" LED trim, polymer "dead-front", shallow white baffle & flange – shallow and standard housings (For use with 600 Series LED light modules only)  
**592SC**=5" LED trim, specular reflector & white flange  
**592H**=5" LED trim, haze reflector & white flange  
**592W**=5" LED trim, white reflector & flange  
**593WB**=5" LED trim, white micro-step baffle & flange  
**593BB**=5" LED trim, black micro-step baffle & white flange  
**593SNB**=5" LED trim, satin nickel micro-step baffle & flange  
**593TBZB**=5" LED trim, tuscan bronze micro-step baffle & flange  
**594WB**=5" LED directional trim, white eyeball, baffle & flange – shallow and standard housings  
**594SNB**=5" LED directional trim, satin nickel eyeball, baffle & flange – shallow and standard housings  
**594TBZB**=5" LED directional trim, tuscan bronze eyeball, baffle & flange – shallow and standard housings  
**595WW**=5" LED trim, wall wash - specular reflector, repositionable specular kick reflector, white flange  
**596WB**=5" LED trim, white shallow baffle & flange – shallow and standard housings

**690 Series - 6" LED Trims**

**691WB**=6" LED trim, polymer "dead-front", white shallow baffle & flange – shallow and standard housings (For use with 600 Series LED light modules only)  
**692SC**=6" LED trim, specular reflector & white flange  
**692H**=6" LED trim, haze reflector & white flange  
**692W**=6" LED trim, white reflector & flange  
**693WB**=6" LED trim, white micro-step baffle & flange  
**693BB**=6" LED trim, black micro-step baffle & white flange  
**693SNB**=6" LED trim, satin nickel micro-step baffle & flange  
**693TBZB**=6" LED trim, tuscan bronze micro-step baffle & flange  
**694WB**=6" LED directional trim, white eyeball, baffle & flange – shallow and standard housings  
**694SNB**=6" LED directional trim, satin nickel eyeball, baffle & flange – shallow and standard housings  
**694TBZB**=6" LED directional trim, tuscan bronze eyeball, baffle & flange – shallow and standard housings  
**695WW**=6" LED trim, wall wash - specular reflector, repositionable specular kick reflector, white flange  
**696WB**=6" LED trim, white shallow baffle & flange – for use with shallow and standard housings

**ML56 System Accessories**

**ML56CLIP**=Friction clip mounting kit - For retrofitting non-torsion spring housings, 6" clips\*  
**WW595SC**=5" Wall wash insert - kick reflector for 595WW (1-included with trim) double or corner wall wash\*\*  
**WW695SC**=6" Wall wash insert - kick reflector for 695WW (1-included with trim) double or corner wall wash\*\*  
**TRM590WH**=5" LED oversize trim ring for use with 59" series trims, white 6.3" I.D., 7.5" O.D. Ring slips over LED trim. Inset design allows 5" trim to fit into oversize ring for an even trim surface  
**TRM690WH**=6" LED oversize trim ring for use with 69" series trims, white 6.9" I.D., 9.5" O.D. Ring slips over LED trim. Inset design allows 6" trim to fit into oversize ring for an even trim surface

\*ML56CLIP is compatible with 6" baffle and reflector trims only (691, 692, 693, 695, 696 series)  
For eyeball trim (694 series) use ML7RAB retrofit adapter band.

\*\*Wall wash trims 595WW and 695WW feature an exclusive repositionable kick reflector for fine-tuning adjustment of the wall wash effect. The WW595SC and WW695SC are repositionable kick reflectors sold separately for addition to the wall wash trim when a double or corner wall wash is needed, or for replacement of original kick reflector included with the trim.

Notes: 1. California product only.

**Lighting Info**

**ML5609927**

PRODUCT SPECIFICATIONS	
Lumens (Light Output)	890
Watts	9.4
Lumens Per Watt (Efficacy)	95.0
Color Accuracy (CRI)	94
Light Color (CCT) <small>Correlated Color Temperature (CCT)</small>	2700K
MODEL# ML5609927	

**ML5609930**

PRODUCT SPECIFICATIONS	
Lumens (Light Output)	953
Watts	9.4
Lumens Per Watt (Efficacy)	101
Color Accuracy (CRI)	94
Light Color (CCT) <small>Correlated Color Temperature (CCT)</small>	3000K
MODEL# ML5609930	

**ML5609935**

PRODUCT SPECIFICATIONS	
Lumens (Light Output)	1019
Watts	9.3
Lumens Per Watt (Efficacy)	109
Color Accuracy (CRI)	93
Light Color (CCT) <small>Correlated Color Temperature (CCT)</small>	3500K
MODEL# ML5609935	

**ML5609940**

PRODUCT SPECIFICATIONS	
Lumens (Light Output)	1041
Watts	9.4
Lumens Per Watt (Efficacy)	111
Color Accuracy (CRI)	93
Light Color (CCT) <small>Correlated Color Temperature (CCT)</small>	4000K
MODEL# ML5609940	



FB

# ADELPHI Vanity

120v : **3-537-xx**

277v : **37-537-xx**

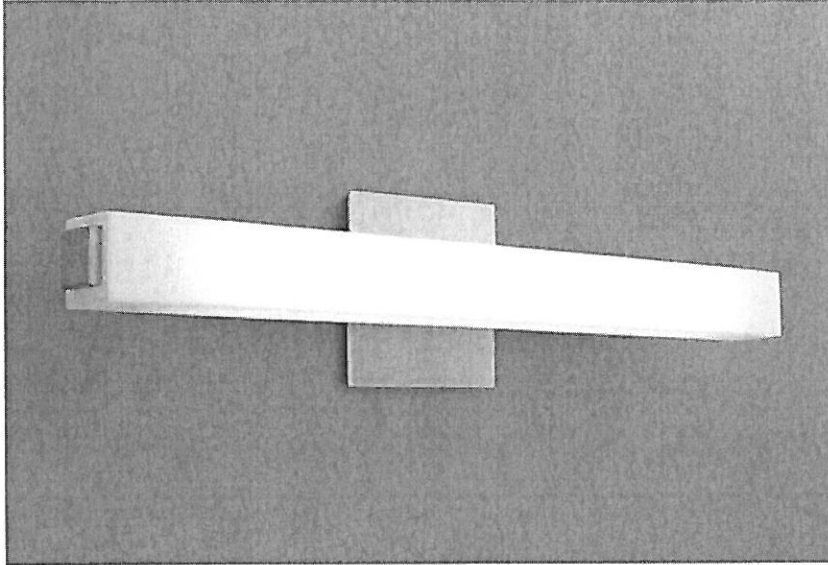
# oxygen

FIXTURE TYPE \_\_\_\_\_

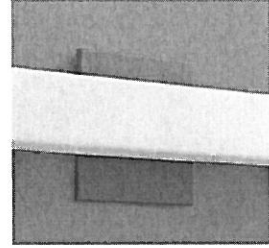
LOCATION \_\_\_\_\_

PROJECT \_\_\_\_\_

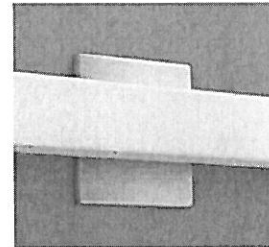
DATE \_\_\_\_\_



-24 Satin Nickel

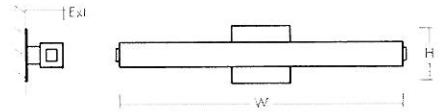


-22 Oiled Bronze



-40 Aged Brass

- LIGHT SOURCE** 11.6W LED, 3000K, CRI 90
- LUMINAIRE POWER** 15.0W at 120V
- RATED LIFE** 60000 hr RL
- OPTIONAL COLOR TEMPERATURES** 2700K, 3500K, 4000K
- LUMEN OUTPUT** Delivered: 1258 lm (LM-79)
- INPUT VOLTAGE** 120V or 277V
- DRIVER OUTPUT** 350mA, 12W
- DIMMING** 0-10v &Phase (ELV) Dimming - 50/60Hz 100% to 10% Dimming
- CONSTRUCTION** Plated Steel and Acrylic
- DIFFUSER** - Matte White Acrylic
- FINISHES** Oiled Bronze (-22), Satin Nickel (-24), Aged Brass (-40)
- MOUNTING** 4" Octagonal J-Box
- STANDARDS** ETL Dry/Damp listed, ADA compliant, Conforms to UL STD 1598, Certified CAN/CSA, STD C22.2 No 250.0.



### DIMENSIONS

- W:** 24.19"
- H:** 4.75"
- Ext:** 3.32"
- M.C:** 2.37" From top of fixture

Order example for standard fixture:

**3-537-24** (x- Voltage - xxx-Sequence # - xx-Finish)

3: 120v, 37: 277v, 32: Universal Voltage

Order example for optional color temperatures: **3-537-2724**

27: 2700K, 35: 3500K, 40: 4000K

