

FILE NAME: A:\1-2024\102401\102401.dwg
 DATE: 02/07/2016
 TIME: 10:58:11 AM
 USER: JTL
 PLOT: 02/07/2016 10:58:11 AM
 PLOTTER: HP DesignJet T1100

AIR HANDLER SCHEDULE - PHASE B											
Tag	Make	Model	NOMINAL TONS	TOTAL CFM	Q.A. CFM	Met3 HP	EFF. %	WATER SUPPLY	WATER RETURN	WATER FLOW	REMARKS
AH-1	CARRIER	F3407B0616	5	1900	360	3/4	11.4	1.5"	1.5"	1.5"	1.5"
AH-2	CARRIER	F3407B0616	7.5	2600	640	2.4	11.4	1.5"	1.5"	1.5"	1.5"
AH-3	CARRIER	F3407B0616	3.5	1450	420	1/2	11.4	1.5"	1.5"	1.5"	1.5"
AH-4	CARRIER	F3407B0616	7.5	2600	640	2.4	11.4	1.5"	1.5"	1.5"	1.5"
AH-5	CARRIER	F3407B0616	19	4340	950	2.4	11.4	1.5"	1.5"	1.5"	1.5"
AH-6	CARRIER	F3407B0616	5	1900	450	3/4	11.4	1.5"	1.5"	1.5"	1.5"
AH-7	CARRIER	F3407B0616	5	1900	450	3/4	11.4	1.5"	1.5"	1.5"	1.5"
AH-8	CARRIER	F3407B0616	7.5	2600	640	2.4	11.4	1.5"	1.5"	1.5"	1.5"
AH-9	CARRIER	F3407B0616	2	800	160	1/2	11.4	1.5"	1.5"	1.5"	1.5"

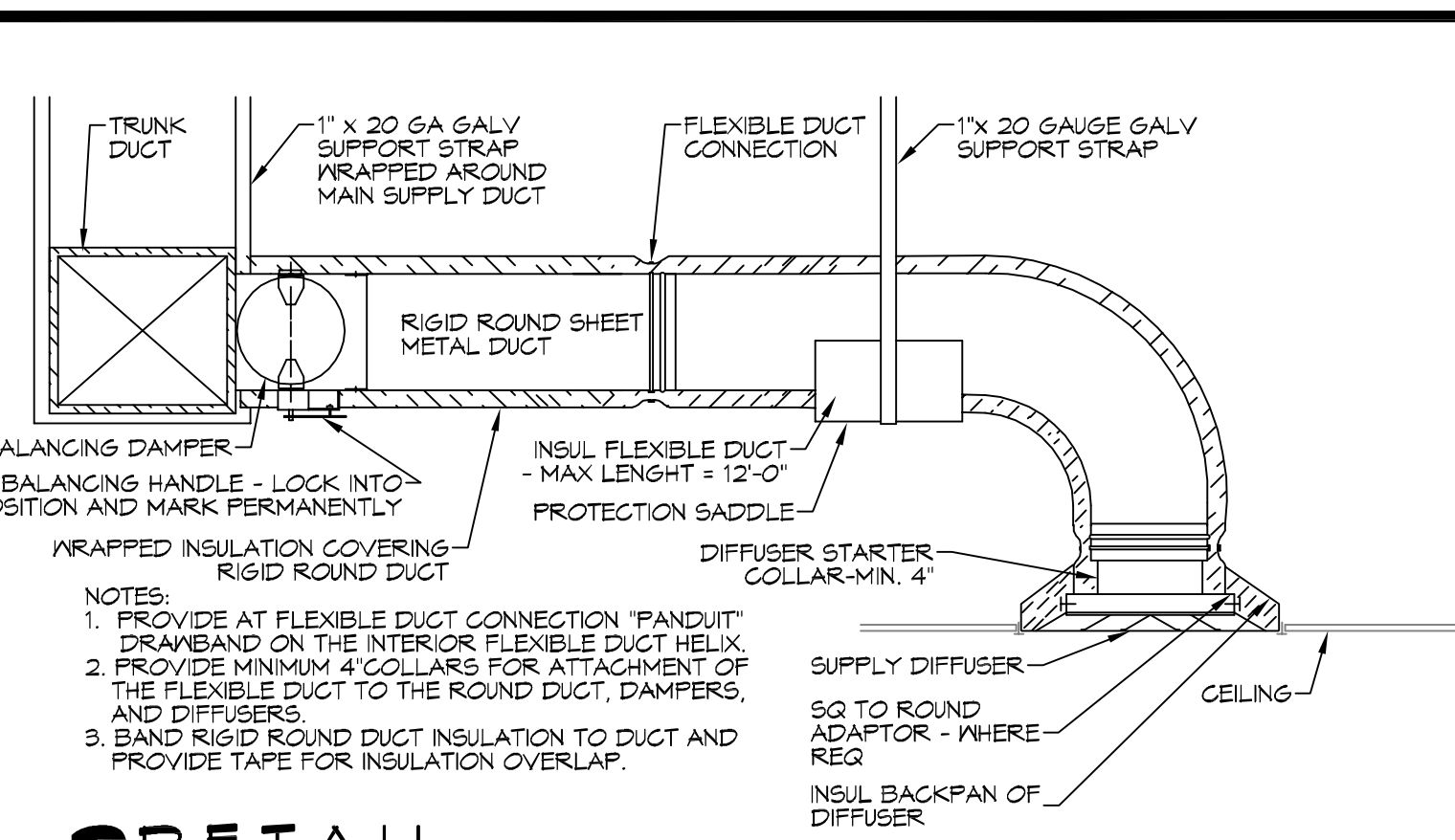
MINI-SPLIT SCHEDULE											
Tag	Manufacturer	Model	Capacity (MBH)	Power (KW)	Capacity (CFM)	Notes	Tag	Manufacturer	Model	Capacity (MBH)	Power (KW)
EV-1	DAIKIN	FEF1202VU	15	208	1,223		CU-1	DAIKIN	RMS48VU	48	54
EV-2	DAIKIN	FEF1202VU	15	208	1,223		CU-2	DAIKIN	RMS48VU	48	54
EV-3	DAIKIN	FEF1202VU	15	208	1,223		CU-3	DAIKIN	RMS48VU	48	54

DIFFUSER SCHEDULE			
Mark No.	Service	Neck Size	Description
A	Supply Air	Ref. Plan	Adjustable Double Deflection Register with Volume Damper
B	Supply Air	Ref. Plan	Louvered Directional Ceiling Diffuser with Volume Damper
C	Return Air	Ref. Plan	Perforated Face Ceiling Diffuser

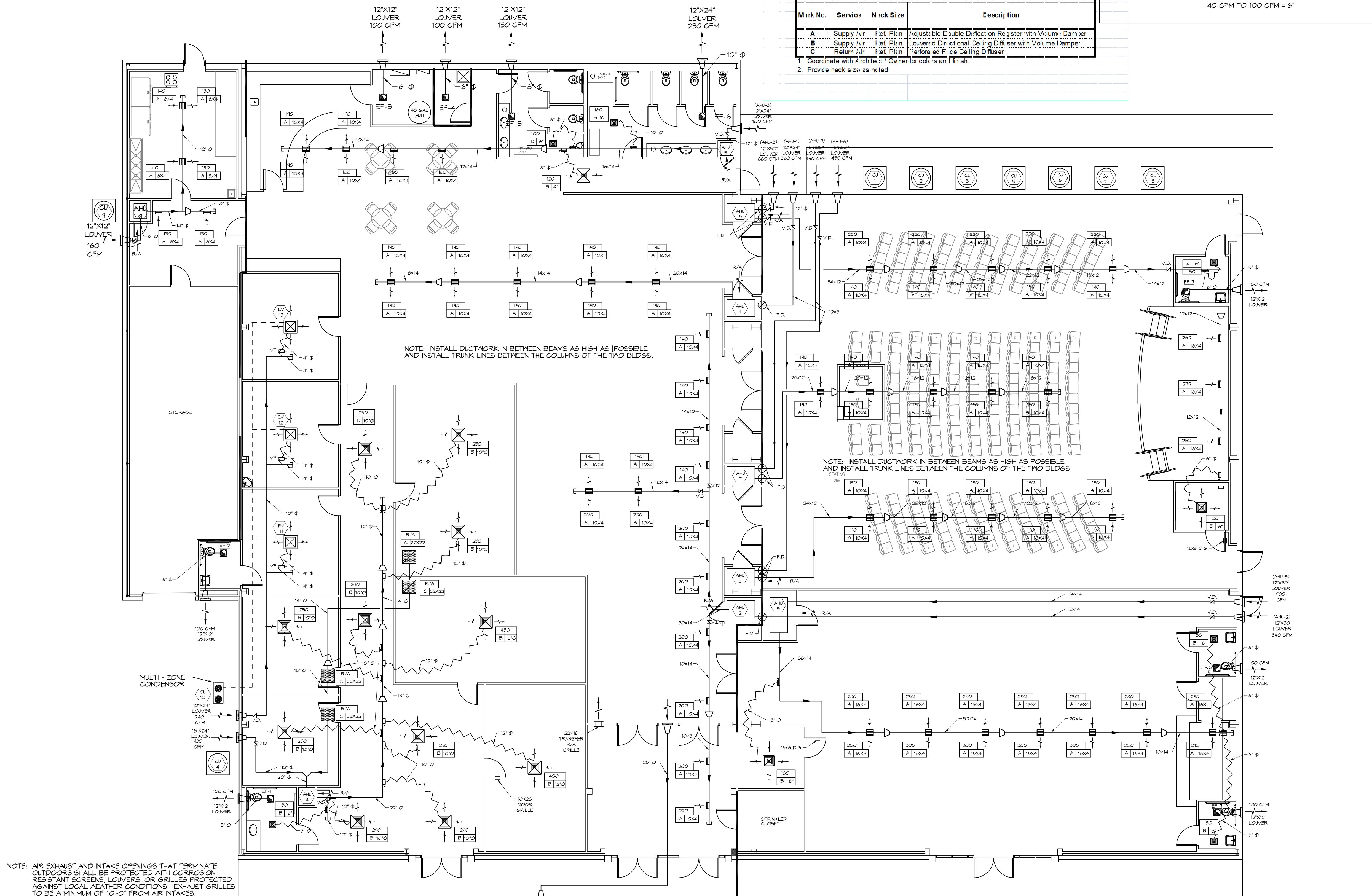
LEGEND

- SUPPLY AIR GRILLE
- EXHAUST FAN
- THERMOSTAT
- SUPPLY AIR DUCT
- DAMPER CONTROL
- ROUND FLEX DUCT, MAX. LENGTH 12'-0", MIN. R-6. PROVIDE MAN. DAMPER AT DIFFUSER CONNECTIONS. DUCT SIZE AS FOLLOWS:
 300 CFM TO 450 CFM = 12"
 200 CFM TO 300 CFM = 10"
 100 CFM TO 200 CFM = 8"
 40 CFM TO 100 CFM = 6"

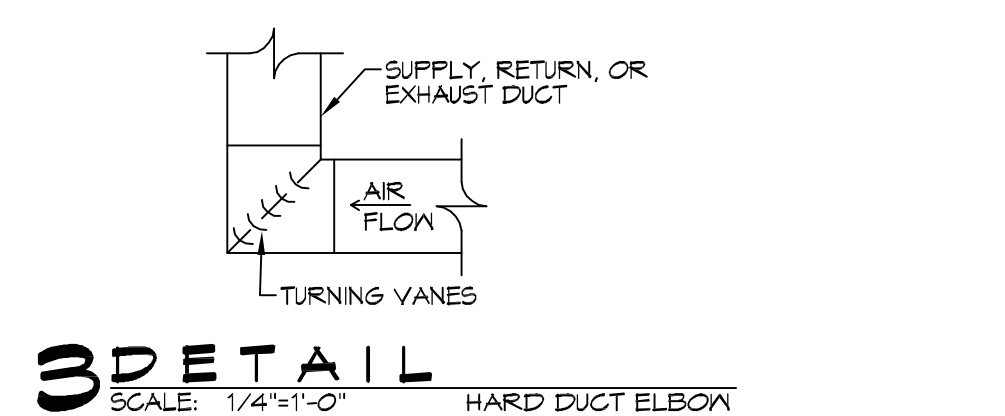
- ### MECHANICAL HVAC NOTES
- CONCEALED DUCTWORK TO BE GALVANIZED SHEET METAL LINED WITH FIBROUS GLASS DUCT LINER, MIN R-6. INSTALLED PER SMACNA STANDARDS.
 - EXPOSED DUCTWORK TO BE GALVANIZED SHEET METAL LINED WITH FIBROUS GLASS DUCT LINER, MIN R-6. INSTALLED PER SMACNA STANDARDS.
 - ROUND FLEXIBLE DUCT TO BE UL-181, CLASS 1, AIR DUCT MATERIALS.
 - DUCT SIZES SHOWN ARE CLEAR INSIDE DIMENSIONS.
 - IN ALL SYSTEMS OVER 2000 CFM AND LESS THAN 15,000 CFM, SMOKE DETECTORS SHALL BE INSTALLED IN ACCORDANCE WITH NFPA 72E IN THE RETURN DUCT DOWNSTREAM OF THE AIR HANDLING UNIT AND ALL FILTERS TO AUTOMATICALLY STOP THE FAN.
 - PROVIDE UL LISTED 125 °F FIRESTAT IN RETURN AIR OF EACH SYSTEM UNDER 2000 CFM TO SHUT DOWN THE FAN IN THE EVENT OF FIRE.
 - PROVIDE UL RATED FIRE DAMPERS WHERE REQUIRED AT ALL DUCT PENETRATIONS OF FIRE-RATED ASSEMBLIES AND WHERE REQUIRED BY CODE, INCLUDING OUTSIDE AIR INTAKES AND EXHAUST FANS.
 - CONDENSATE DRAINS TO BE PVC PIPE RUN TO PLUMBERS P-TRAP WITHIN FIVE FEET OF AIR HANDLING UNITS.
 - ALL THERMOSTATS TO BE AUTOMATIC CHANGEOVER WITH HEAT SWITCH.
 - ALL RESTROOM EXHAUST FAN(S) SHALL BE CONTROLLED BY A SWITCH ON THE WALL IN THE SAME LOCATION AS LIGHT SWITCH(S). PROVIDE BACK DRAFT DAMPER.
 - PROVIDE AND INSTALL WATER PROOF GRILLE VENT IN PROPER ROOF LOCATION FOR PLUMBING FIXTURE EXHAUST.
 - ALL SUPPLY AIR VENTS SHALL BE EQUIPPED WITH AIR CONTROL DAMPERS AT THE REGISTER.
 - FRESH AIR SHALL BE SUPPLIED TO EACH AIR HANDLER THROUGH EXTERIOR WALL DUCT SUPPLIED WITH A CONTROL DAMPER.
 - ALL ELECTRICAL, MECHANICAL, AND PLUMBING PENETRATING FIRE WALLS SHALL BE FIRE CALKED. (PENETRATIONS THROUGH RATED CONSTRUCTION SHALL BE SEALED WITH A MATERIAL CAPABLE OF PREVENTING THE PASSAGE OF FLAMES AND HOT GASES WHEN TESTED IN ACCORDANCE WITH ASTM-E8-14).
 - ALL MECHANICAL SYMBOLS ARE DRAWN DIAGRAMMATICALLY. CONTRACTOR TO VERIFY WITH OWNER LOCATIONS OF VENTS, DAMPERS, REGISTERS, ETC.
 - FLEXIBLE DUCTWORK LENGTH NOT TO EXCEED 12'-0".
 - REFER TO REFLECTED CEILING PLAN FOR FINAL GRILLE AND DIFFUSER LOCATIONS AND COORDINATE AS REQUIRED.
 - FINAL LOCATION OF TEMPERATURE CONTROLS TO BE COORDINATED WITH OWNER AT JOB SITE.
 - PROVIDE AND INSTALL SMOKE DETECTORS AS APPROVED BY LOCAL AHS. PLACE NEAR R/A AND S/A OPENINGS OF AHU AND PROVIDE, WITH ACCESS PANEL, WIRING BY ELECTRICAL CONTRACTOR, IF REQUIRED.
 - FRESH AIR INTAKES ARE REQUIRED TO HAVE MOTORIZED OR GRAVITY DAMPERS TO SHUT OFF WHEN SYSTEM IS NOT RUNNING.
 - PROVIDE BIRD SCREENS AT ALL EXTERIOR MECHANICAL PENETRATIONS.
 - CONTRACTOR SHALL PROVIDE A MEANS FOR ATTIC VENTILATION FOR THE MOVEMENT OF AIR ABOVE DROP CEILING(S) EITHER BY MECHANICAL VENTS OR POWER VENTS.



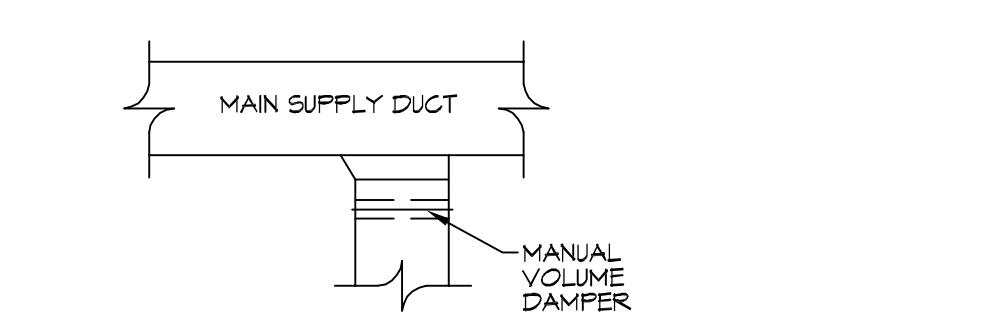
2 DETAIL
SCALE: 1/4"=1'-0"



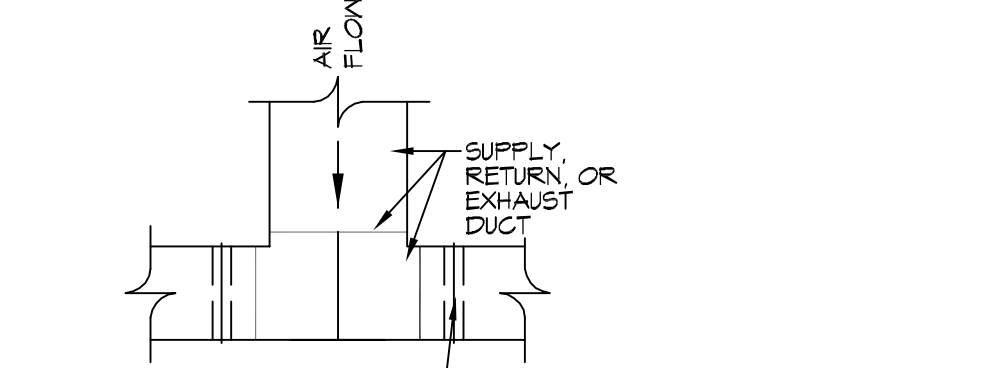
1 MECHANICAL PLAN PHASE 'B'
SCALE: 1/8"=1'-0"



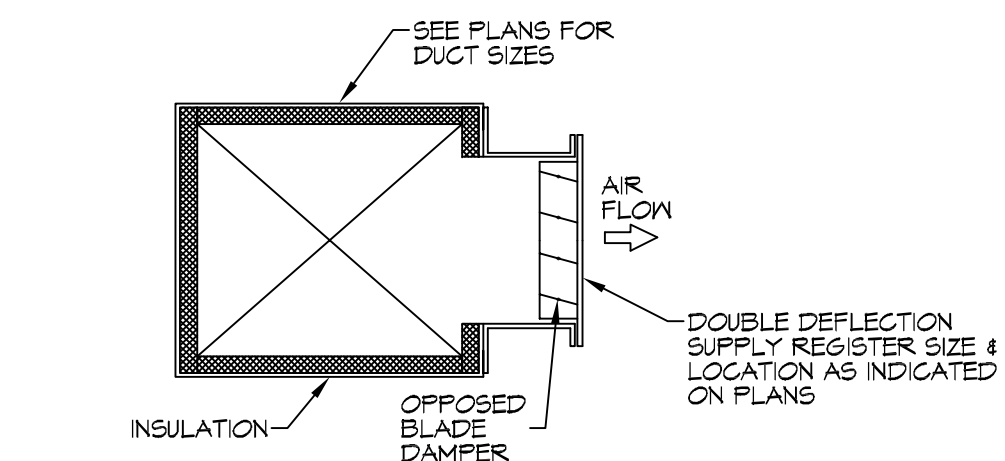
3 DETAIL
SCALE: 1/4"=1'-0"



4 DETAIL
SCALE: 1/4"=1'-0"



5 DETAIL
SCALE: 1/4"=1'-0"



6 DETAIL
SCALE: 1/4"=1'-0"

DAMMON

ENGINEERING, INC.

LOUISIANA & MISSISSIPPI

Chief Engineer: Brian Mitchell, PE
 504 Old Spanish Trail
 Slidell, LA 70688
 Phone: 985.649.2582, Fax: 985.649.1925
 www.dammonengineering.com
 info@dammonengineering.com

#	DESCRIPTION	DATE

DATE	DESCRIPTION

GRACE FELLOWSHIP

JOB NO: 2540
 DATE: 02/07/2016
 DRAWN BY: JTL
 CHECKED BY: JTL
 SHEET TITLE: MECHANICAL PLAN PHASE B
 SHEET NO: M102
 DRAWING NUMBER: