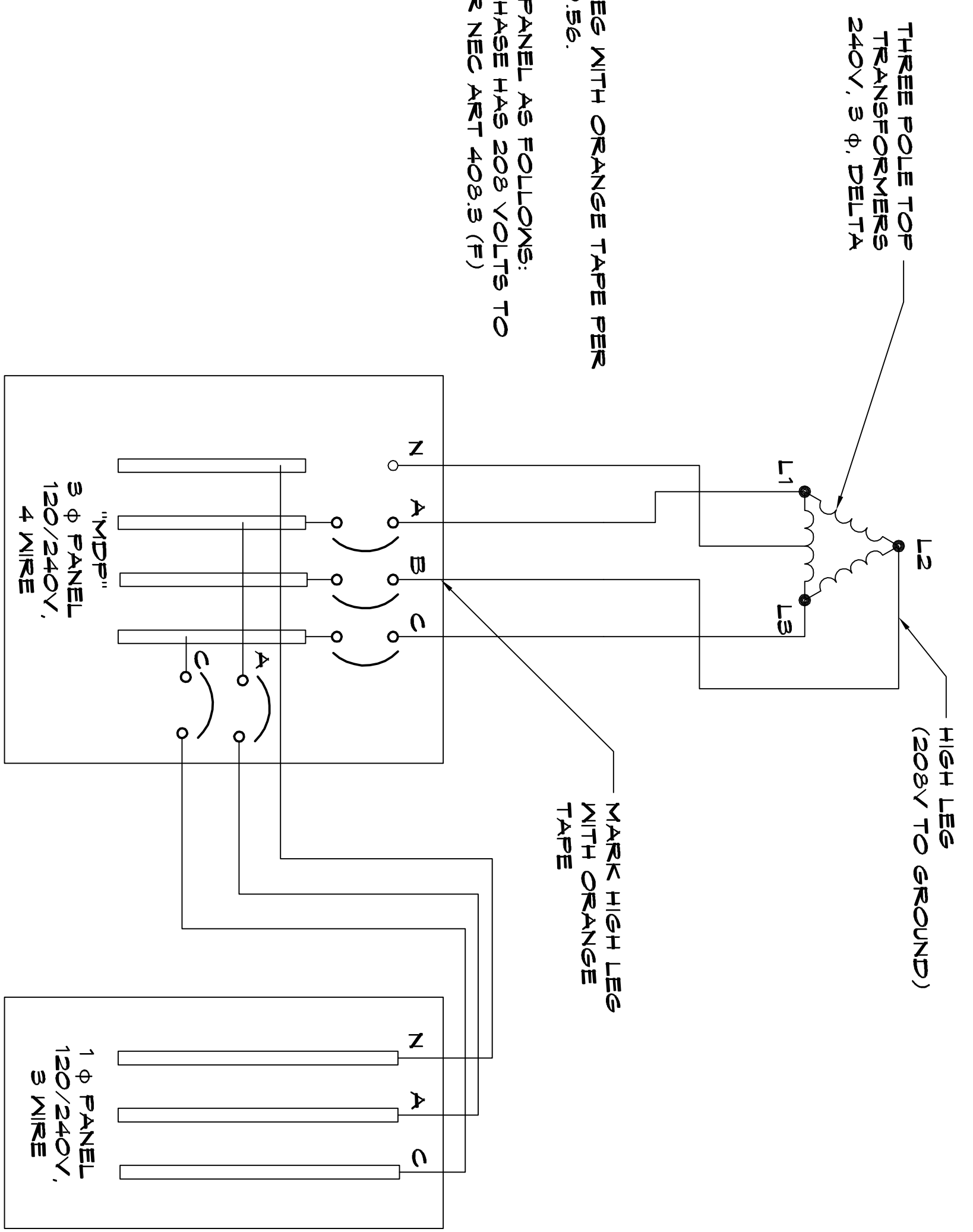


RISER DIAGRAM - EXISTING ARRANGEMENT
SCALE

RISER DIAGRAM - NEW ARRANGEMENT
SCALE

- NOTES:**
1. BEFORE STARTING WORK, THE CONTRACTOR SHALL VERIFY THE SIZE OF THE SERVICE ENTRANCE CONDUCTORS AND THE CONDITION TO DETERMINE IF IT CAN BE RE USED. REPLACE IF NEEDED.
 2. REMOVE EXISTING DISTRIBUTION PANELS, DISCONNECTS, MOTOR STARTERS AND ALL ASSOCIATED ELECTRICAL EQUIPMENT.
 3. INSTALL NEW DISTRIBUTION PANELS AND ASSOCIATED EQUIPMENT.
 4. ROUTE GROUND WIRES AND BOND TO BUILDING STEEL, WATER PIPE AND GAS PPE.



THREE PHASE, DELTA HIGH LEG WIRING DIAGRAM - NEW ARRANGEMENT
SCALE

NOTES:

1. MARK HIGH LEG WITH ORANGE TAPE PER NEC ART 250.56.
2. FIELD MARK PANEL AS FOLLOWS: "CAUTION B PHASE HAS 208 VOLTS TO GROUND" PER NEC ART 408.5 (F)

<p>GRACE FELLOWSHIP</p> <p>34492 WILLIS ALLEY PEARL RIVER LA</p> <p>JOB No: 2340 DATE: 04/30/2018</p> <p>DRAWN BY: CKD CHECKED BY:</p>	<p>STATE OF LOUISIANA</p> <p>BRIAN A. MISTICH</p> <p>Professional Engineer License No. 30787</p>	<p>DAMMON ENGINEERING, INC.</p> <p>LOUISIANA & MISSISSIPPI</p> <p>Chief Engineer: Brian Mistich, PE 554 Old Spanish Trail Slidell, LA 70458</p> <p>www.dammonengineering.com info@dammonengineering.com PH: 985.649.5832 F: 985.641.5950</p>
<p>SHEET TITLE: ELECTRICAL SITE PLAN ONE LINE DIAGRAM AND PANEL SCHEDULE</p> <p>DRAWING NUMBER: E106</p> <p>SHEET NO: 15 OF 16</p>		