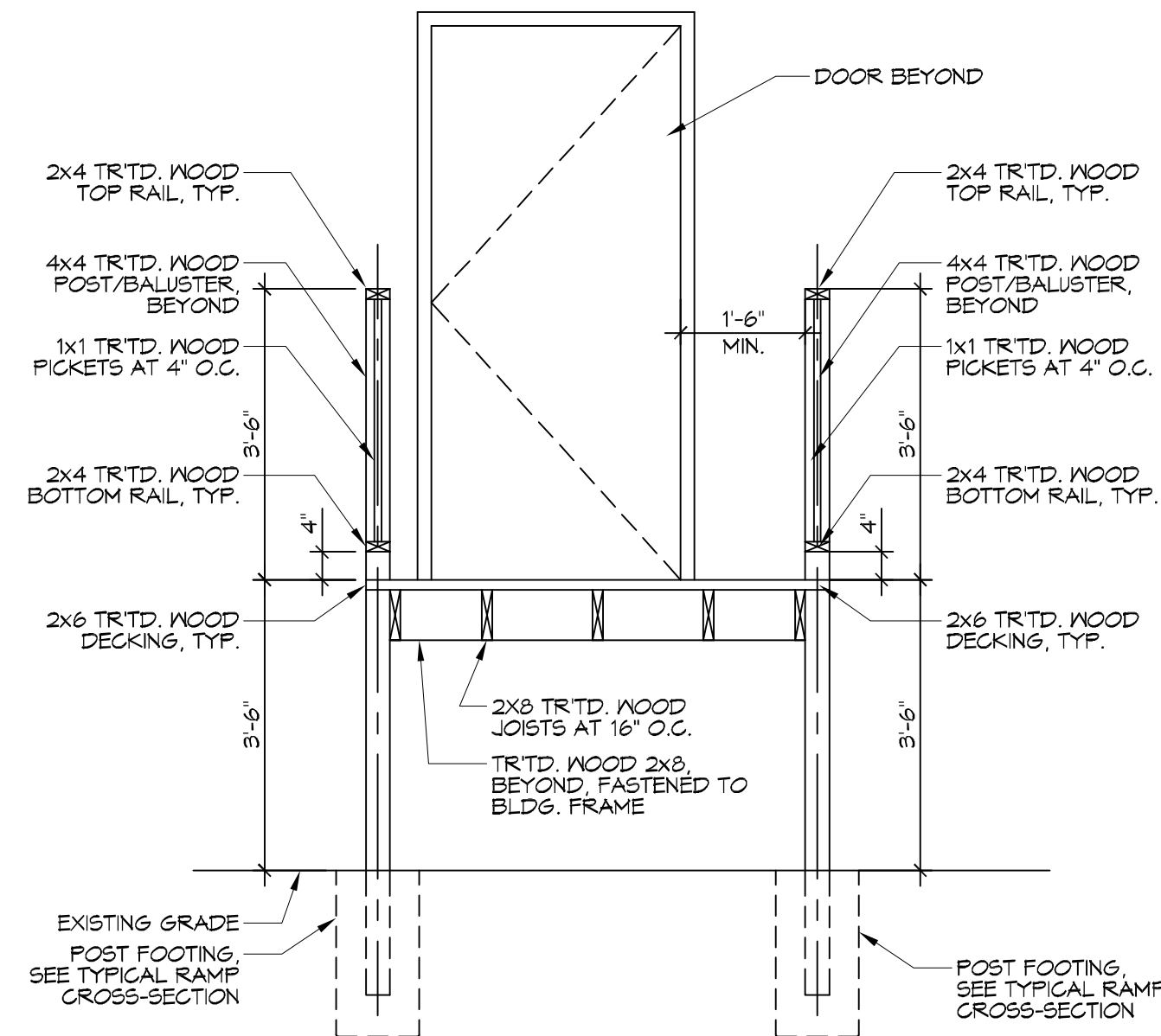
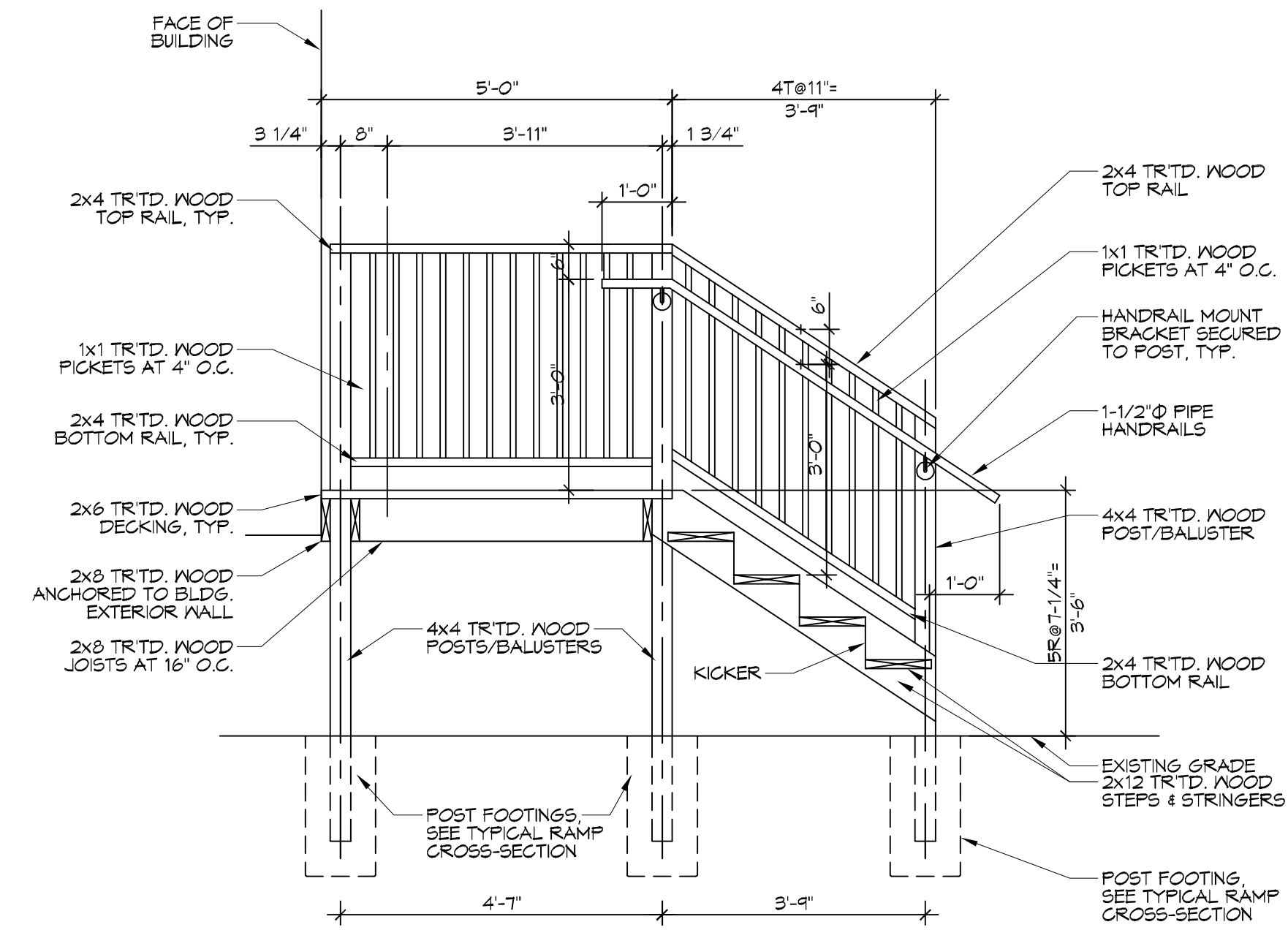


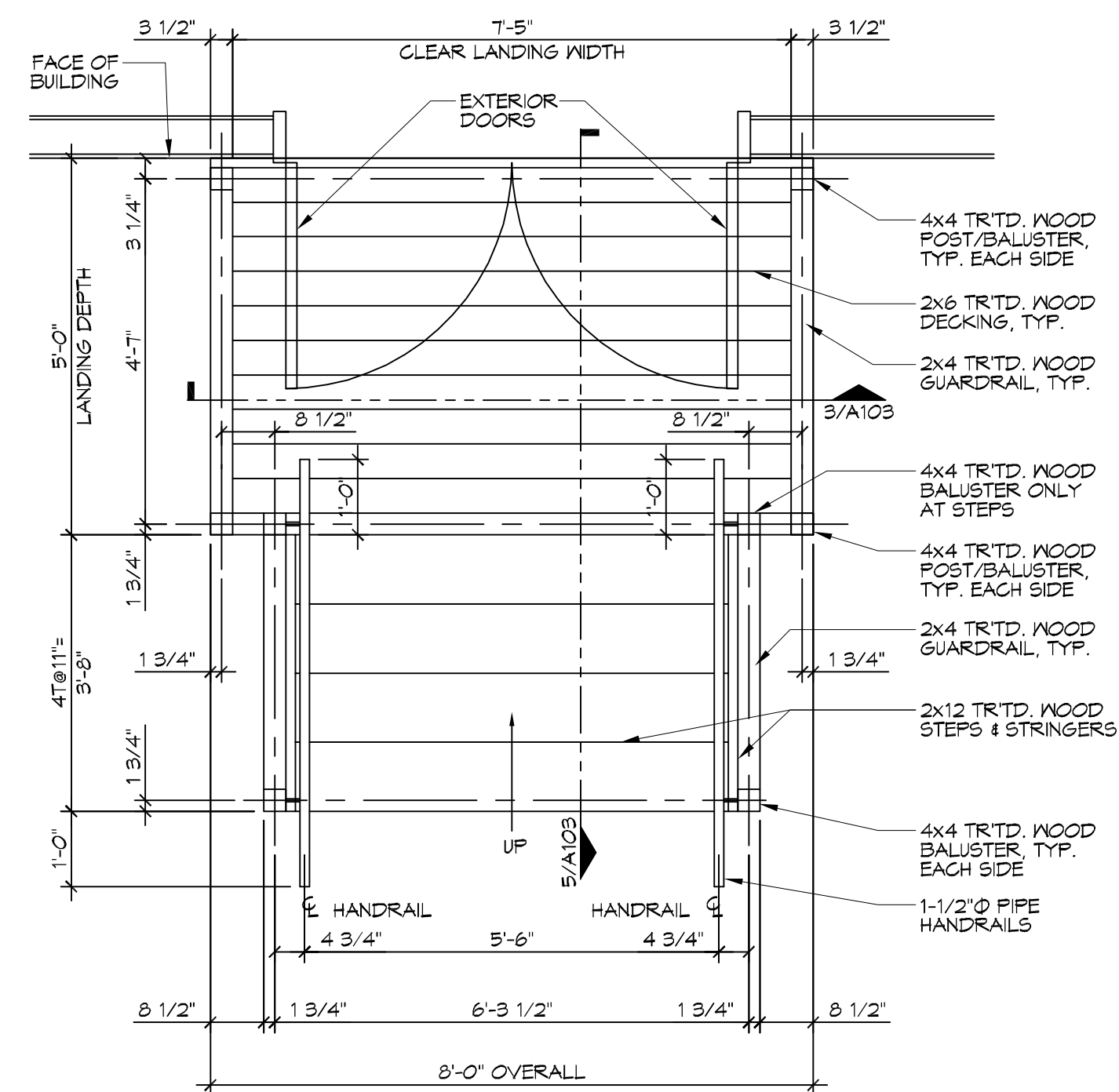
16 PORCH SECTION
SCALE: 1/2"=1'-0" PORCH AT DOUBLE EXTERIOR DOOR



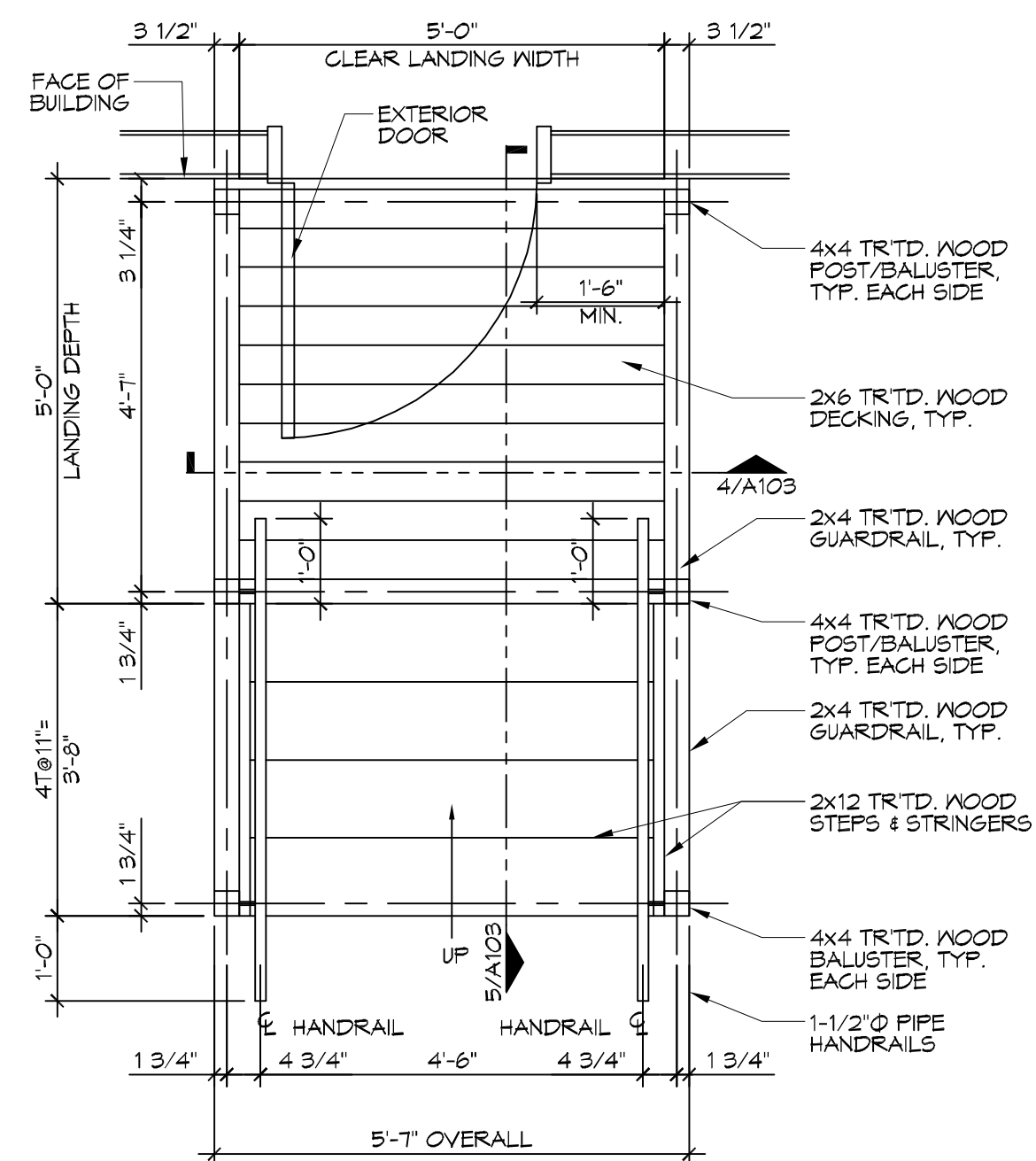
17 PORCH SECTION
SCALE: 1/2"=1'-0" PORCH AT SINGLE EXTERIOR DOOR



18 TYP. PORCH & STAIR SECTION
SCALE: 1/2"=1'-0" PORCH AT SINGLE OR DOUBLE EXTERIOR DOOR



14 PORCH/STAIRS PLAN
SCALE: 1/2"=1'-0" PORCH & STAIRS AT DOUBLE EXTERIOR DOOR



15 PORCH/STAIRS PLAN
SCALE: 1/2"=1'-0" PORCH & STAIRS AT SINGLE EXTERIOR DOOR

#	DESCRIPTION	REVISIONS	DATE

THE CROSSING
 64452 HIGHWAY 41,
 PEARL RIVER, LA 70452
 JOB No: 2854 DATE: 11/05/2018
 DRAWN BY: RLD CHECKED BY: JUS
 SHEET TITLE:
 PORCHES & STAIRS -
 PLANS & DETAILS
 DRAWING NUMBER:
A103
 SHEET No: 1 of 13