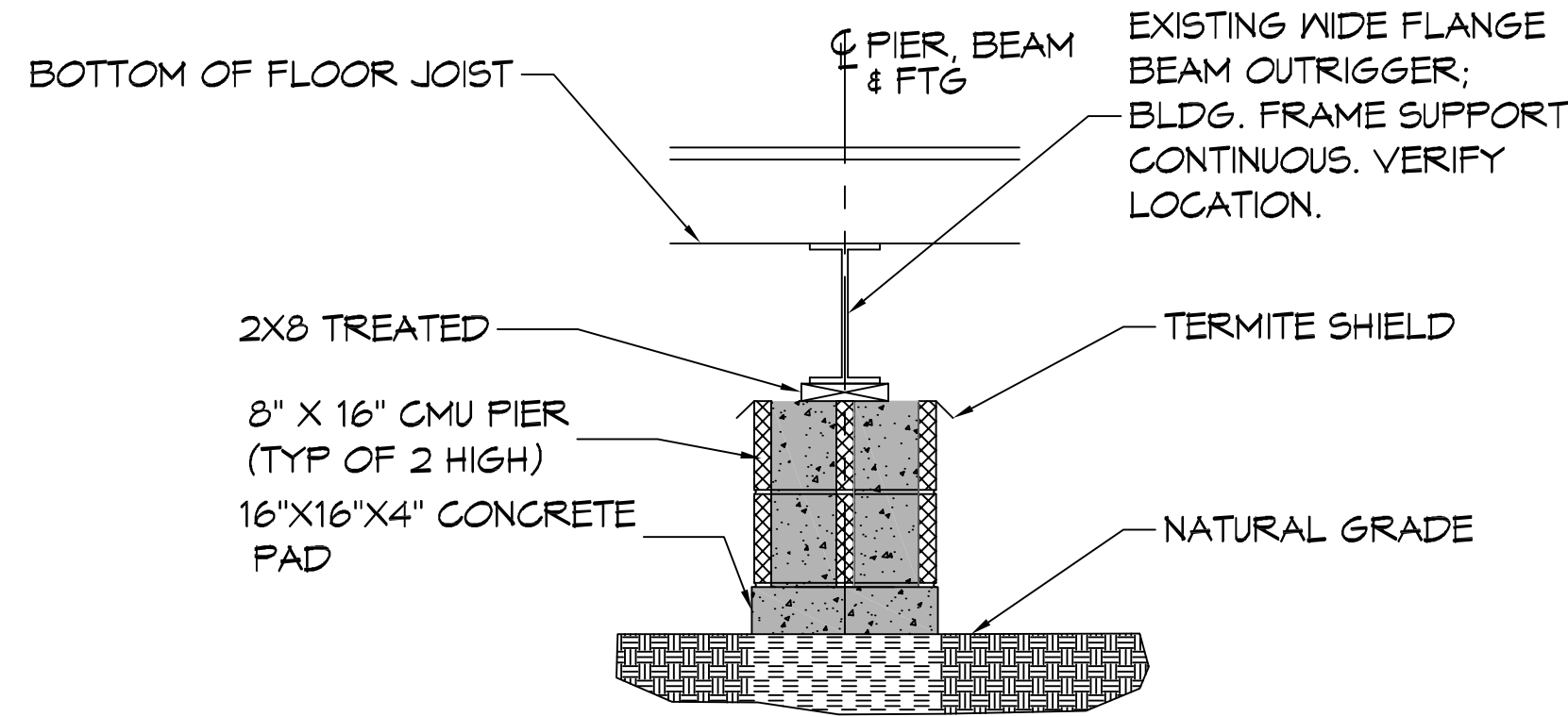


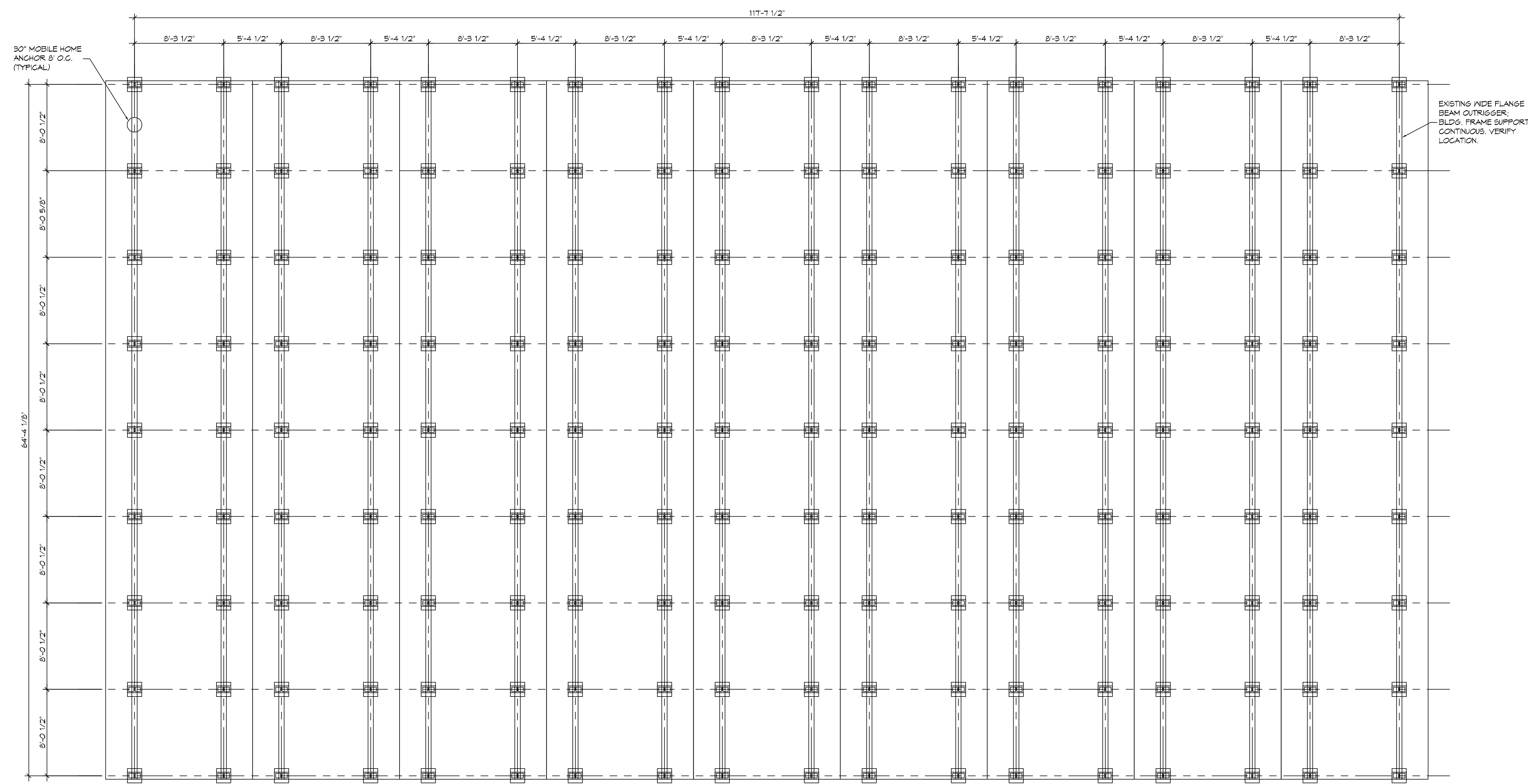
FILE NAME: A:\\_CAD\DWG\3389 - The Crossing\3389 - Foundation\3389 - Foundation.dwg PLOT DATE: 8/1/2014 11:05:41 AM

**GENERAL FOUNDATION NOTES**

1. THE CONTRACTOR SHALL VERIFY ALL BEAM BEAM LOCATIONS PRIOR TO INSTALLING PADS AND BLOCKS AND INSTALL ACCORDINGLY.
2. ALL SOIL BELOW SHALL RECEIVE TERMITE TREATMENT.



**FOUNDATION SECTION**  
SCALE: 1/2" = 1'-0"



**FOUNDATION PLAN**  
SCALE: 3/16" = 1'-0"

**DAMMON ENGINEERING, INC.**  
LOUISIANA & MISSISSIPPI  
www.dammonengineering.com  
info@dammonengineering.com  
PH: 985.649.5832 F: 985.641.9950  
Chief Engineer: Brian Mistich, PE  
554 Old Spanish Trail  
Slidell, LA 70568

| REVISIONS     | DATE |
|---------------|------|
| # DESCRIPTION |      |



**THE CROSSING**

64482 HIGHWAY 41  
PEARL RIVER, LA 70482  
JOB No: 2584 DATE: 11/05/2014  
DRAWN BY: BAW  
CHECKED BY: CKD

SHEET TITLE:  
**FOUNDATION PLAN**

DRAWING NUMBER:  
**S101**

SHEET No: 4 of 13