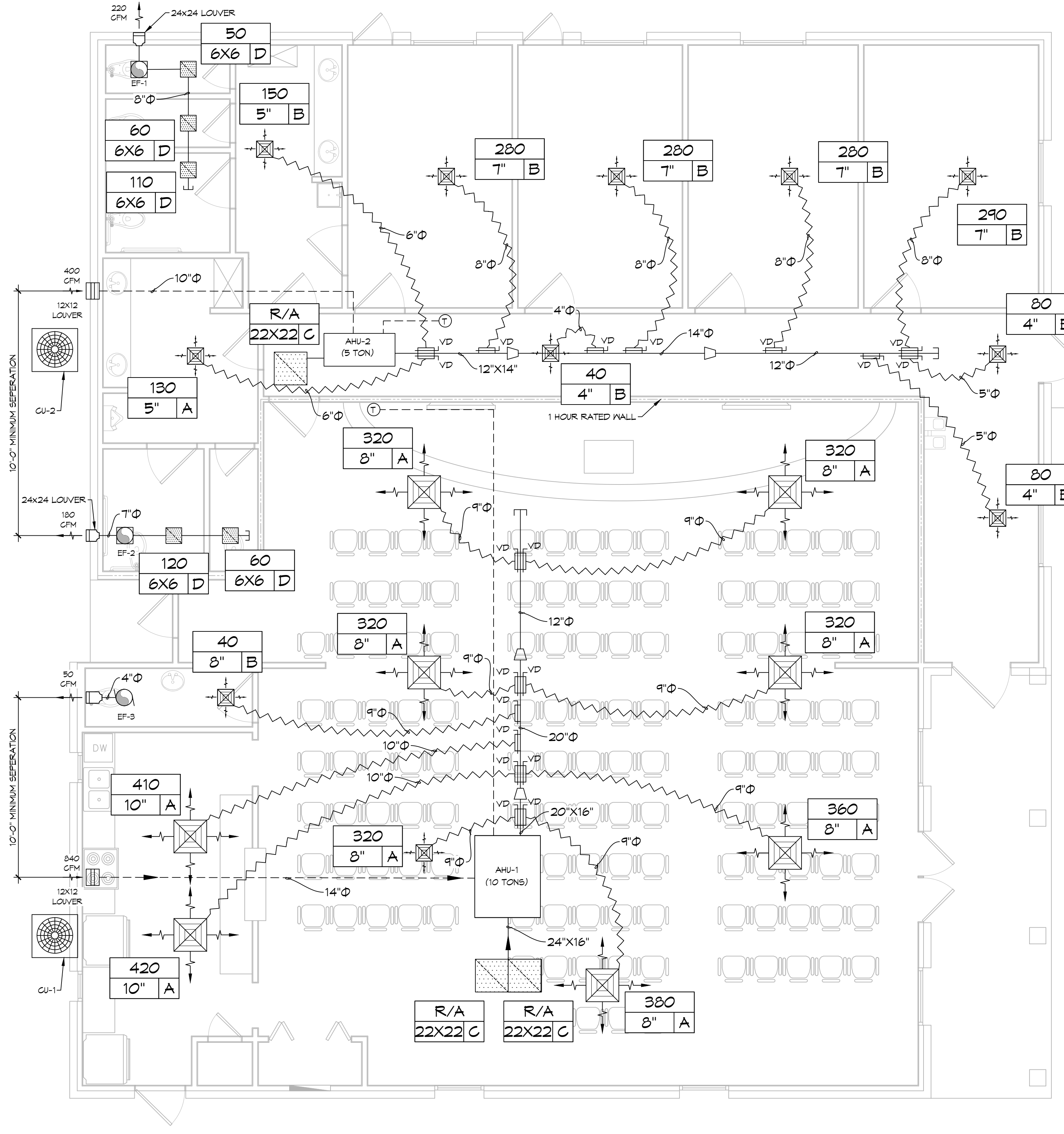
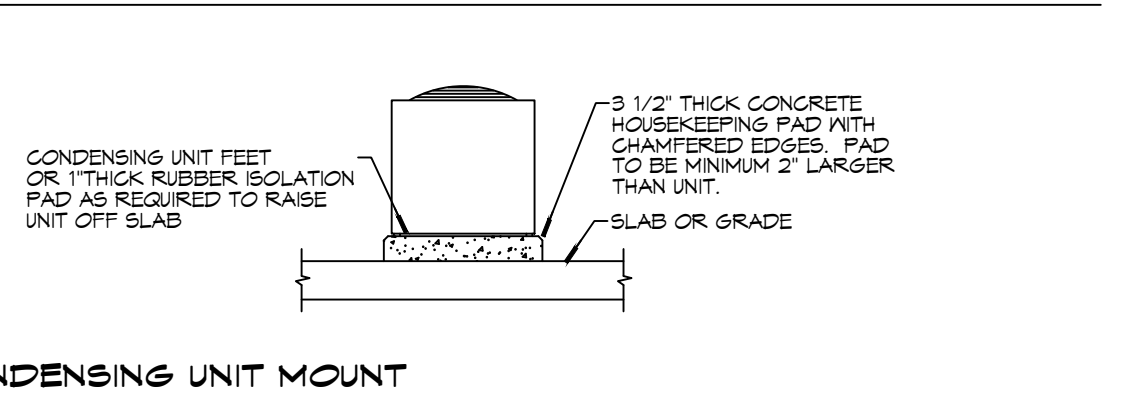
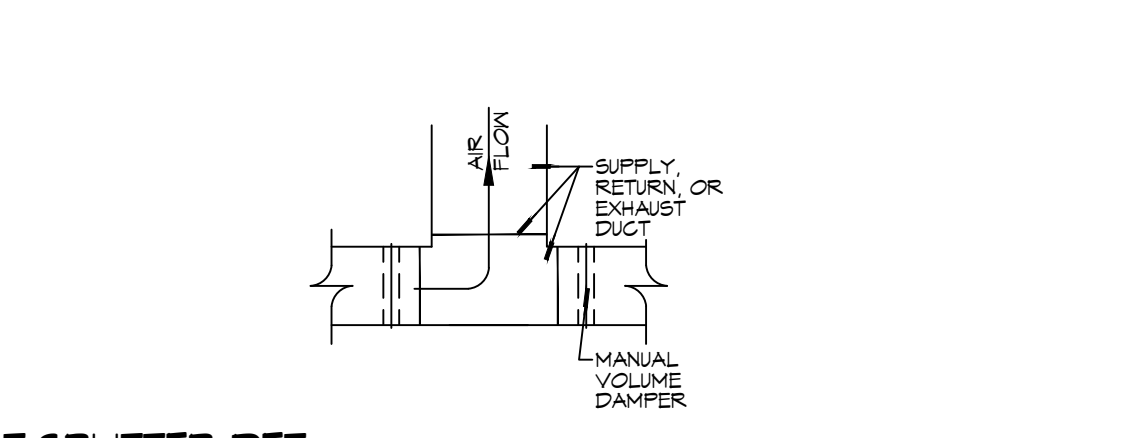
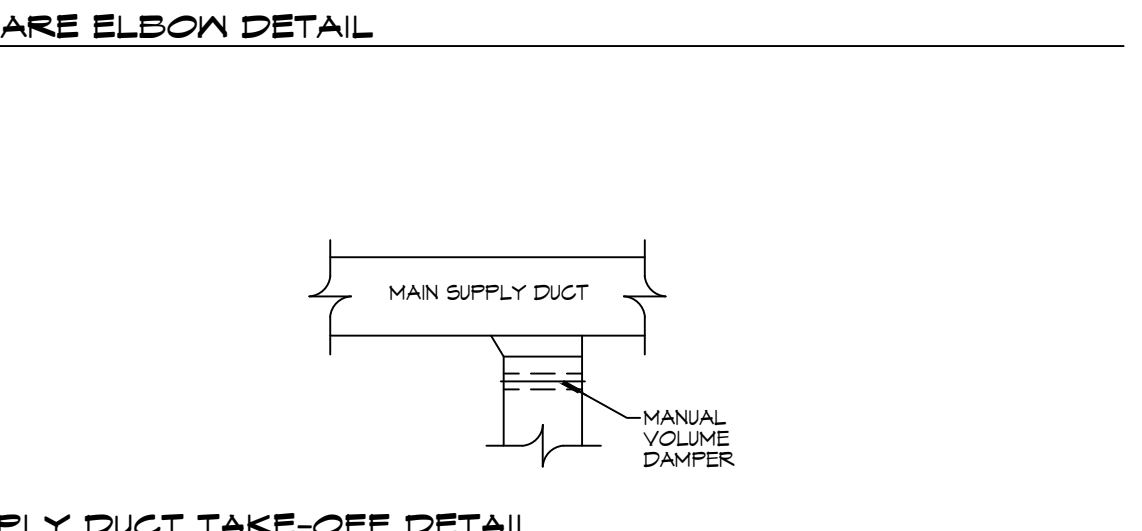
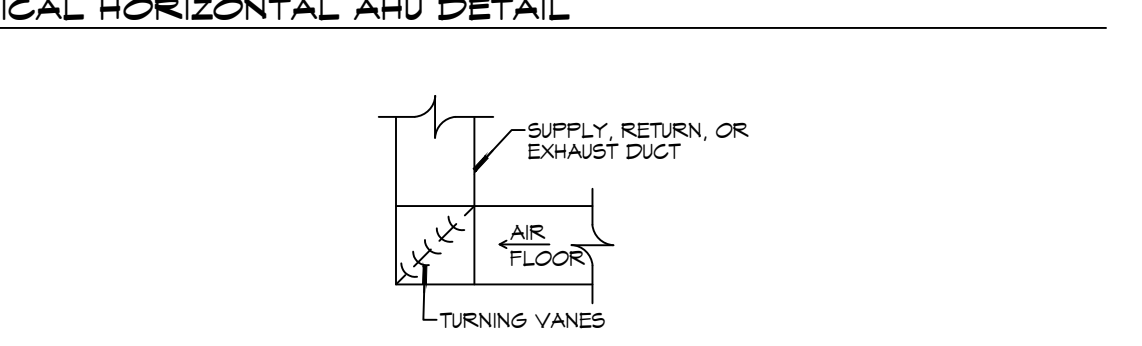
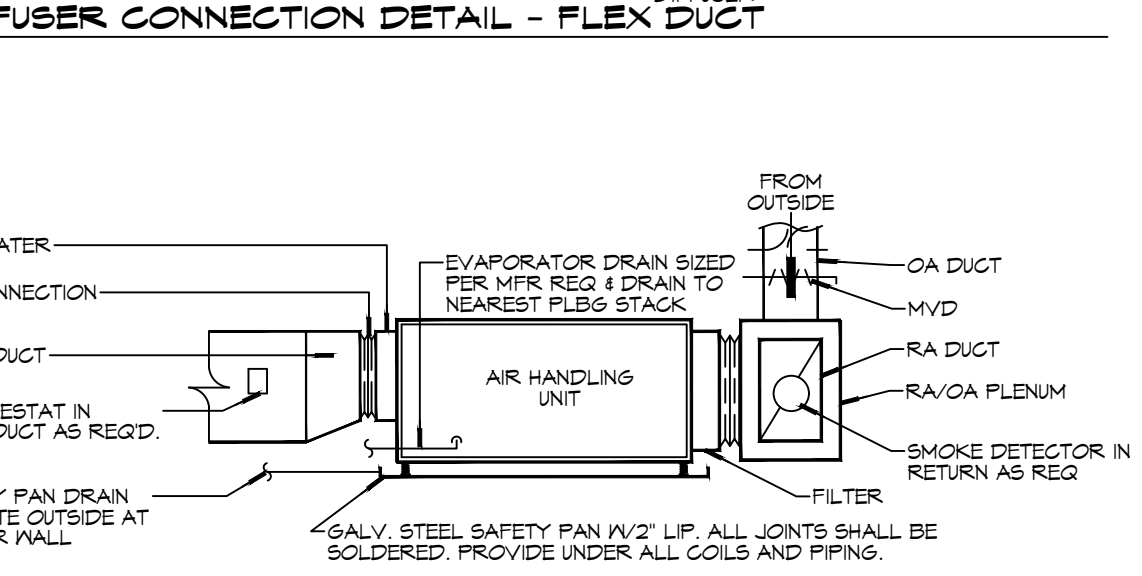
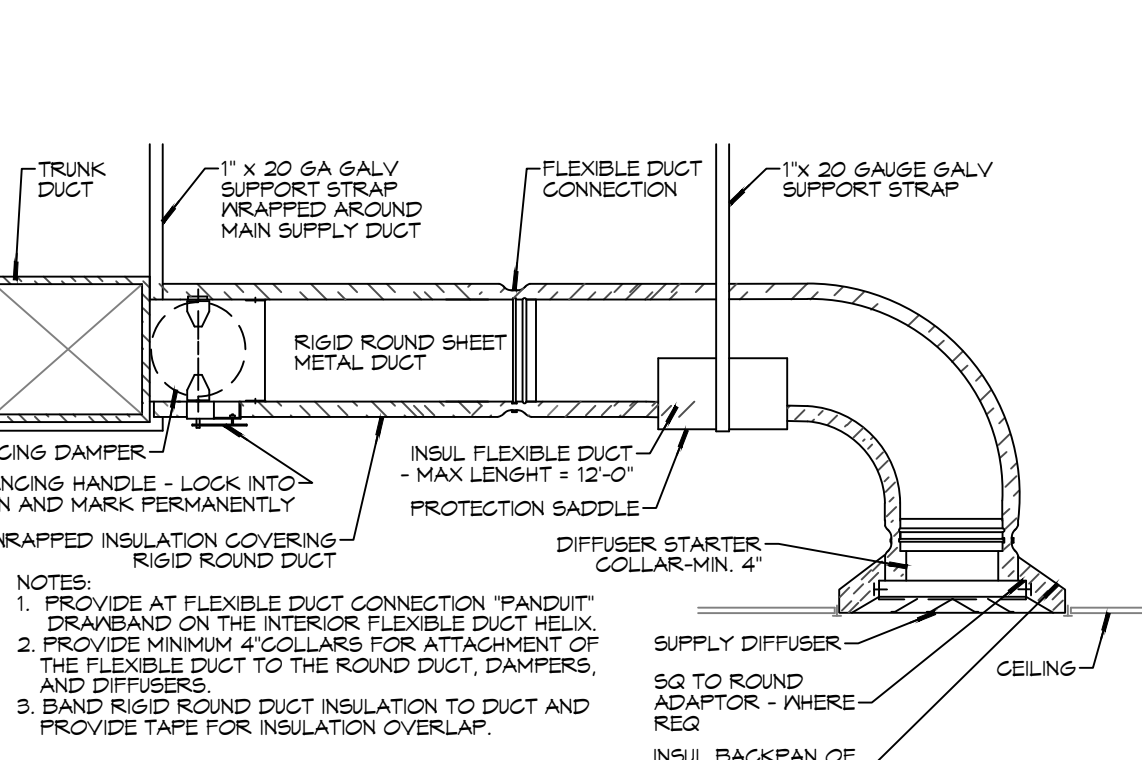


22 DETAILS
 SCALE: N.T.S.
 08/31/2023
 2483
 DATE: 08/31/2023
 CHECKED BY: CKD
 DRAWN BY: BAK

SPLIT SYSTEM SCHEDULE																						
AIR HANDLER										CONDENSER												
Tag	Area Served	Tons (Nominal)	Total CFM	O/A (CFM)	Make	Model	Position	Coil	Heat	Motor	Power	Tag	Make	Model	Power							
								TMB	EDB	EWB	KW	VAC	PH	MCA	VAC	PH	MCA					
AHU-1	Chapel	10	3210	840	Daikin	DAT120	Horizontal	119.6	81.7	70.4	15	2	208	3	46.6	CU-1	Daikin	RCS10F121	208	3	48	1.2, 3, 4
AHU-2	Classrooms	5	1610	400	Goodman	ARUF48	Horizontal	52.9	80.4	71.2	10.8	3/4	208	1	18	CU-2	Goodman	GSSX14060	208	1	32.8	1, 2, 3, 4

DIFFUSER SCHEDULE			
Mark No.	Service	Neck Size	Description
A	Supply Air	Ref Plan	24" x 24" Adjustable Square Cone Diffuser, Price ASCDA w/ Insulated Back Panel
B	Supply Air	Ref Plan	12" x 12" Adjustable Square Cone Diffuser, Price ASCDA w/ Insulated Back Panel
C	Return Air	Ref Plan	24" x 24" Perforated, Ducted Return w/ Damper, Thus PAR
D	Exhaust	Ref Plan	Eggcrate exhaust, Price 80 w/ damper

EXHAUST FAN SCHEDULE								
TAG	FAN	POWER	MAKE / MODEL	REMARKS				
AIRFLOW (CFM)	TSP (in wc)	AMPS	WATTS	VAC	PH	HZ		
EF-1	220	0.1	220	120	1	60	Cook GC-186	1, 2
EF-2	180	0.2	145	120	1	60	Cook GC-186	1, 2
EF-3	50	0.1	69	120	1	60	Bronx 698N	1, 3



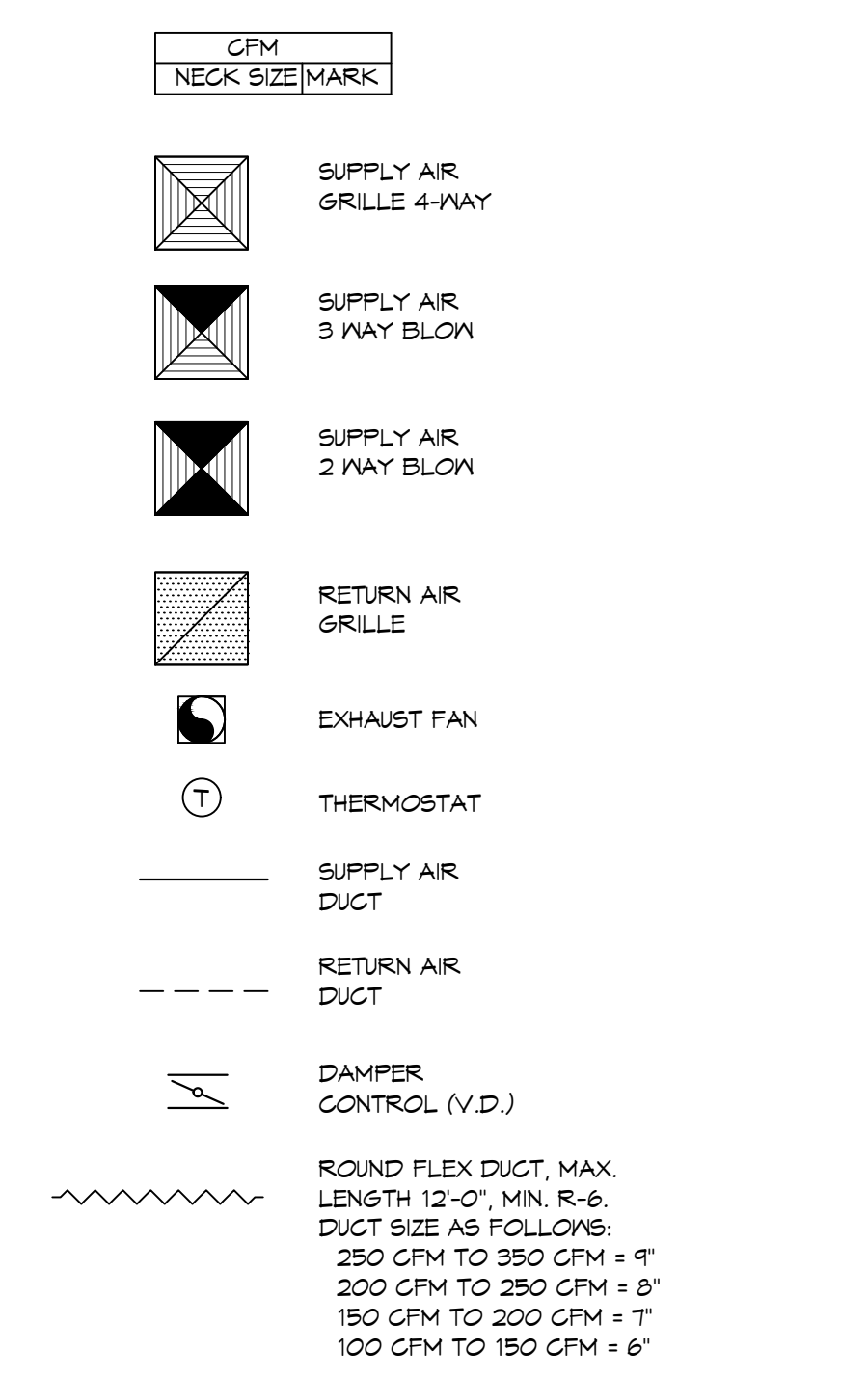
21 MECHANICAL FLOOR PLAN
 SCALE: 1/4" = 1'-0"

NOTE:
 ALL MECHANICAL IS DRAWN
 DIAGRAMMATICALLY FOR
 CLARITY, FIELD VERIFY PRIOR
 TO FABRICATION.

**GENERAL HVAC
 NOTES**

- CONCEALED DUCTWORK TO BE GALVANIZED SHEET METAL WRAPPED WITH FIBROUS GLASS DUCT WRAP WITH FSK VAPOR BARRIER, MIN R-6. INSTALLED PER SMACNA STANDARDS. DUCT WORK IMMEDIATELY DOWNSTREAM FROM AHU SHALL BE LINED FOR SOUND ATTENUATION.
- EXPOSED DUCTWORK TO BE GALVANIZED SHEET METAL LINED WITH FIBROUS GLASS DUCT LINER, MIN R-6. INSTALLED PER SMACNA STANDARDS.
- ROUND FLEXIBLE DUCT TO BE UL-181, CLASS 1, AIR DUCT MATERIALS.
- DUCT SIZES SHOWN ARE CLEAR INSIDE DIMENSIONS.
- IN ALL SYSTEMS OVER 2000 CFM AND LESS THAN 15,000 CFM, SMOKE DETECTORS SHALL BE INSTALLED IN ACCORDANCE WITH NFPA 72E IN THE RETURN DUCT DOWNSTREAM OF THE AIR HANDLING UNIT AND ALL FILTERS TO AUTOMATICALLY STOP THE FAN.
- PROVIDE UL LISTED 125 FT FIRESTAT IN RETURN AIR OF EACH SYSTEM UNDER 2000 CFM TO SHUT DOWN THE FAN IN THE EVENT OF FIRE.
- PROVIDE UL RATED FIRE DAMPERS WHERE REQUIRED AT ALL DUCT PENETRATIONS OF FIRE-RATED ASSEMBLIES AND WHERE REQUIRED BY CODE, INCLUDING OUTSIDE AIR INTAKES AND EXHAUST FANS.
- CONDENSATE DRAINS TO BE PVC PIPE RUN TO PLUMBERS P-TRAP WITHIN FIVE FEET OF AIR HANDLING UNITS.
- ALL AIR HANDLING SYSTEMS TO BE BALANCED TO ASSURE PROPER AIR FLOWS PER PLANS.
- ALL THERMOSTATS TO BE AUTOMATIC CHANGEOVER WITH HEAT SWITCH.
- EXHAUST FAN SHALL BE CONTROLLED BY A SWITCH ON THE WALL IN THE SAME LOCATION AS LIGHT SWITCH(S). PROVIDE BACK DRAFT DAMPER.
- PROVIDE UL RATED FIRE DAMPERS WHERE REQUIRED AT ALL DUCT PENETRATIONS OF FIRE-RATED ASSEMBLIES AND WHERE REQUIRED BY CODE, INCLUDING OUTSIDE AIR INTAKES AND EXHAUST FANS.
- CONDENSATE DRAINS TO BE PVC PIPE RUN TO PLUMBERS P-TRAP WITHIN FIVE FEET OF AIR HANDLING UNITS.
- ALL AIR HANDLING SYSTEMS TO BE BALANCED TO ASSURE PROPER AIR FLOWS PER PLANS.
- REFRIGERANT LINES SHALL BE SIZED BY UNIT MANUFACTURER AND INSTALLED ACCORDING TO MANUFACTURER'S INSTRUCTIONS.
- FRESH AIR SHALL BE SUPPLIED TO EACH AIR HANDLER THROUGH EXTERIOR WALL DUCT SUPPLIED WITH A CONTROL DAMPER.
- ALL ELECTRICAL, MECHANICAL, AND PLUMBING PENETRATING FIRE WALLS SHALL BE FIRE CAULKED. PENETRATIONS THROUGH RATED CONSTRUCTION SHALL BE SEALED WITH A MATERIAL CAPABLE OF PREVENTING THE PASSAGE OF FLAMES AND HOT GASES WHEN TESTED IN ACCORDANCE WITH ASTM-E8-14).
- ALL MECHANICAL SYMBOLS ARE DRAWN DIAGRAMMATICALLY. CONTRACTOR TO VERIFY WITH OWNER LOCATIONS OF VENTS, DAMPERS, REGISTERS, ETC.
- FLEXIBLE DUCTWORK LENGTH NOT TO EXCEED 12'-0".
- REFER TO REFLECTED CEILING PLAN FOR FINAL GRILLE AND DIFFUSER LOCATIONS AND COORDINATE AS REQUIRED.
- FINAL LOCATION OF TEMPERATURE CONTROLS TO BE COORDINATED WITH OWNER AT JOB SITE.
- PROVIDE AND INSTALL SMOKE DETECTORS AS APPROVED BY LOCAL AHJ'S. PLACE NEAR R/A AND S/A OPENINGS OF AHU AND PROVIDE, WITH ACCESS PANEL, WIRING BY ELECTRICAL CONTRACTOR.
- FRESH AIR INTAKES ARE REQUIRED TO HAVE MOTORIZED OR GRAVITY DAMPERS TO SHUT OFF WHEN SYSTEM IS NOT RUNNING.
- PROVIDE BIRD SCREENS AT ALL EXTERIOR MECHANICAL PENETRATIONS.
- COORDINATE WALL MOUNTED THERMOSTAT LOCATIONS WITH ALL OWNER FURNISHED ITEMS EITHER WALL MOUNTED OR FLOOR MOUNTED AGAINST PARTITIONS. REFER TO ARCHITECTURAL DRAWINGS.
- PROVIDE MIN 18 GA GALVANIZED SHEET METAL TO BLANK-OFF GABLE VENTS WHERE INTAKE/EXHAUST DUCTS OCCUR.

LEGEND



DAMMON
ENGINEERING, INC.
 LOUISIANA & MISSISSIPPI
 Chief Engineer: Brian Misch, PE
 554 Old Spanish Trail
 Slidell, LA 70488
 www.dammonengineering.com
 info@dammonengineering.com
 PH: 985.649.5832 F: 985.641.5950

#	DESCRIPTION	DATE

SHEET TITLE:
 MECHANICAL FLOOR PLAN,
 SCHEDULES AND DETAILS

COMMUNITY CHURCH
 5448 BACON RD.
 SLIDELL, LA 70460
 JOB No: 2483
 DATE: 08/31/2023
 CHECKED BY: CKD
 DRAWN BY: BAK

DRAWING NUMBER:
M101
 SHEET No: 17 of 3