

AHU UNIT SCHEDULE								
DESIGNATION	TOTAL Btu	CFM	OA	HEA T (KW)	ELECTRICAL			MFR
					VOLT	MCA	MAX O.C.P.	
AHU-1 (EXISTING)	48,000 Btu 4 TON	1,600	160	10	240V,10	54	60	GOODMAN ARUF OR EQUAL
AHU-2	60,000 Btu 5 TON	2,000	400	4.5	240V,10	31	35	
AHU-3	60,000 Btu 5 TON	1,610	400	10	240V,10	56	60	
AHU-4 (OPTIONAL)	36,000 Btu 3 TON	1,200	0	0	240V,10	3.6	15	

A/C UNIT SCHEDULE					
DESIGNATION	TOTAL Btu	VOLT	MCA	MAX O.C.P.	MFR
CU-2	36,000 Btu 3 ton	240V,10	32.0	50	
CU-3	54,000 Btu 5 TON	240V,10	32.0	50	
CU-4 (OPTIONAL)	36,000 Btu 3 ton	240V,10	18.6	30	

DIFFUSER SCHEDULE				
Mark No.	Service	Neck Size	Description	
A	Supply Air	Ref. Plan	24" X 24" Adjustable Square Cone Diffuser, Price ASCDA w/ Insulated Back Panel	
B	Supply Air	Ref. Plan	12" X 12" Adjustable Square Cone Diffuser, Price ASCDA w/ Insulated Back Panel	
C	Return Air	Ref. Plan	24" X 24" Perforated, Ducted Return w/ Damper, Tilt PAR	
D	Exhaust	Ref. Plan	Eggcrate exhaust, Price 80 w/ damper	

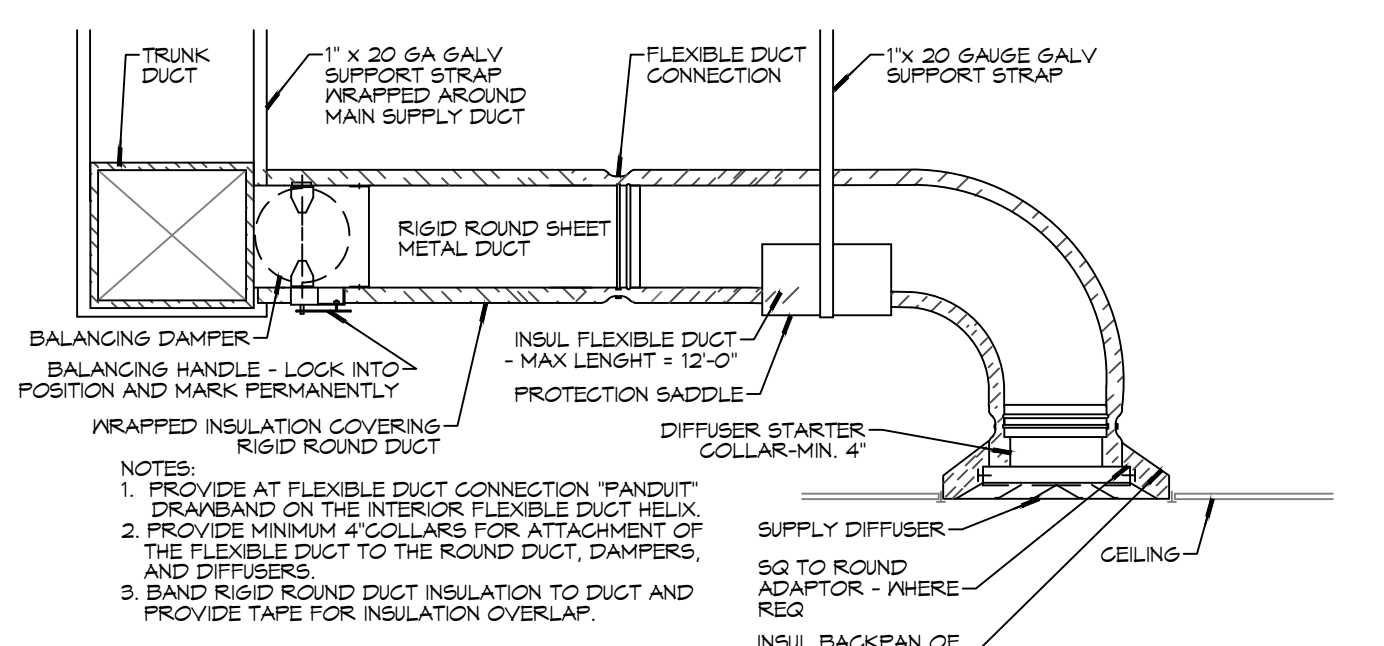
EXHAUST FAN SCHEDULE									
TAG	FAN			POWER			MAKE / MODEL	REMARKS	
	AIRFLOW (CFM)	TSP ("wc)	AMPS	WATTS	VAC	PH			
EF-1	220	0.1		220	120	1	60	Cook GC-188	1, 2
EF-2	180	0.2		145	120	1	60	Cook GC-168	1, 2
EF-3	90	0.1	0.9	120	1	60	Brain 596N	1, 3	

NOTE:
ALL MECHANICAL IS DRAWN DIAGRAMMATICALLY FOR CLARITY, FIELD VERIFY PRIOR TO FABRICATION.

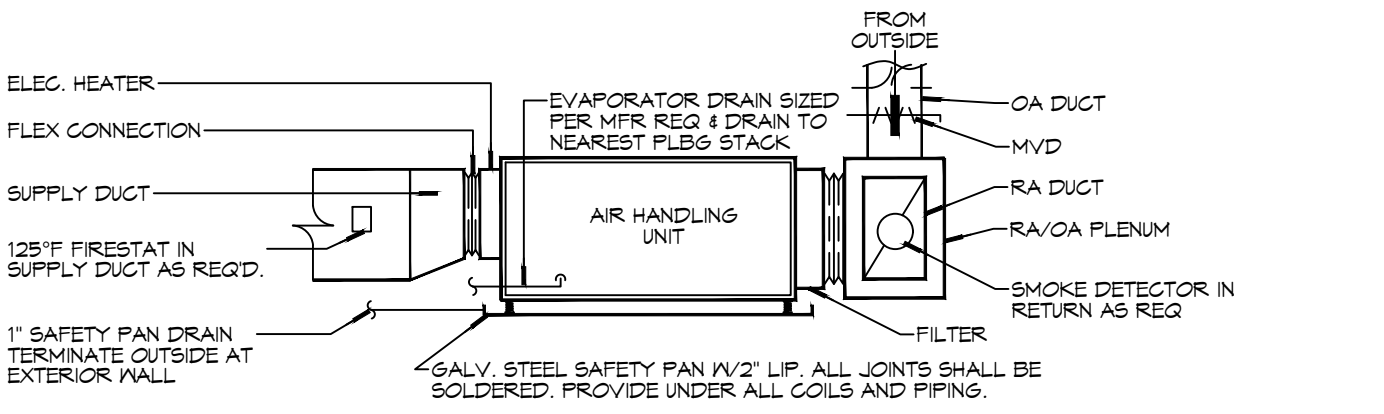
GENERAL HVAC NOTES

- CONCEALED DUCTWORK TO BE GALVANIZED SHEET METAL WRAPPED WITH FIBROUS GLASS DUCT WRAP WITH FSK VAPOR BARRIER, MIN R-6. INSTALLED PER SMACNA STANDARDS. DUCT WORK IMMEDIATELY DOWNSTREAM FROM AHU SHALL BE LINED FOR SOUND ATTENUATION.
- EXPOSED DUCTWORK TO BE GALVANIZED SHEET METAL LINED WITH FIBROUS GLASS DUCT LINER, MIN R-6. INSTALLED PER SMACNA STANDARDS.
- ROUND FLEXIBLE DUCT TO BE UL-181, CLASS 1, AIR DUCT MATERIALS.
- DUCT SIZES SHOWN ARE CLEAR INSIDE DIMENSIONS.
- IN ALL SYSTEMS OVER 2000 CFM AND LESS THAN 15,000 CFM, SMOKE DETECTORS SHALL BE INSTALLED IN ACCORDANCE WITH NFPA 72E IN THE RETURN DUCT DOWNSTREAM OF THE AIR HANDLING UNIT AND ALL FILTERS TO AUTOMATICALLY STOP THE FAN.
- PROVIDE UL LISTED 125 F° FIRESTAT IN RETURN AIR OF EACH SYSTEM UNDER 2000 CFM TO SHUT DOWN THE FAN IN THE EVENT OF FIRE.
- PROVIDE UL RATED FIRE DAMPERS WHERE REQUIRED AT ALL DUCT PENETRATIONS OF FIRE-RATED ASSEMBLIES AND WHERE REQUIRED BY CODE, INCLUDING OUTSIDE AIR INTAKES AND EXHAUST FANS.
- CONDENSATE DRAINS TO BE PVC PIPE RUN TO PLUMBERS P-TRAP WITHIN FIVE FEET OF AIR HANDLING UNITS.
- ALL AIR HANDLING SYSTEMS TO BE BALANCED TO ASSURE PROPER AIR FLOWS PER PLANS.
- ALL THERMOSTATS TO BE AUTOMATIC CHANGEOVER WITH HEAT SWITCH.
- EXHAUST FAN SHALL BE CONTROLLED BY A SWITCH ON THE WALL IN THE SAME LOCATION AS LIGHT SWITCH(S). PROVIDE BACK DRAFT DAMPER.
- PROVIDE AND INSTALL WATER PROOF GRILLE VENT IN PROPER ROOF LOCATION FOR PLUMBING FIXTURE EXHAUST.
- ALL SUPPLY AIR VENTS SHALL BE EQUIPPED WITH AIR CONTROL DAMPERS AT THE REGISTER.
- LOCATE OUTDOOR UNITS AS SHOWN ON ARCHITECTURAL DRAWINGS.
- REFRIGERANT LINES SHALL BE SIZED BY UNIT MANUFACTURER AND INSTALLED ACCORDING TO MANUFACTURER'S INSTRUCTIONS.
- FRESH AIR SHALL BE SUPPLIED TO EACH AIR HANDLER THROUGH EXTERIOR WALL DUCT SUPPLIED WITH A CONTROL DAMPER.
- ALL ELECTRICAL, MECHANICAL, AND PLUMBING PENETRATING FIRE WALLS SHALL BE FIRE CAULKED. (PENETRATIONS THROUGH RATED CONSTRUCTION SHALL BE SEALED WITH A MATERIAL CAPABLE OF PREVENTING THE PASSAGE OF FLAMES AND HOT GASES WHEN TESTED IN ACCORDANCE WITH ASTM-E8-14).
- ALL MECHANICAL SYMBOLS ARE DRAWN DIAGRAMMATICALLY. CONTRACTOR TO VERIFY WITH OWNER LOCATIONS OF VENTS, DAMPERS, REGISTERS, ETC.
- FLEXIBLE DUCTWORK LENGTH NOT TO EXCEED 12'-0".
- REFER TO REFLECTED CEILING PLAN FOR FINAL GRILLE AND DIFFUSER LOCATIONS AND COORDINATE AS REQUIRED.
- FINAL LOCATION OF TEMPERATURE CONTROLS TO BE COORDINATED WITH OWNER AT JOB SITE.
- PROVIDE AND INSTALL SMOKE DETECTORS AS APPROVED BY LOCAL A.H.J.S. PLACE NEAR R/A AND S/A OPENINGS OF AHU AND PROVIDE, WITH ACCESS PANEL, WIRING BY ELECTRICAL CONTRACTOR.
- FRESH AIR INTAKES ARE REQUIRED TO HAVE MOTORIZED OR GRAVITY DAMPERS TO SHUT OFF WHEN SYSTEM IS NOT RUNNING.
- PROVIDE BIRD SCREENS AT ALL EXTERIOR MECHANICAL PENETRATIONS.
- COORDINATE MALL MOUNTED THERMOSTAT LOCATIONS WITH ALL OWNER FURNISHED ITEMS EITHER WALL MOUNTED OR FLOOR MOUNTED AGAINST PARTITIONS. REFER TO ARCHITECTURAL DRAWINGS.
- PROVIDE MIN 18 GA GALVANIZED SHEET METAL TO BLANK-OFF GABLE VENTS WHERE INTAKE/EXHAUST DUCTS OCCUR.

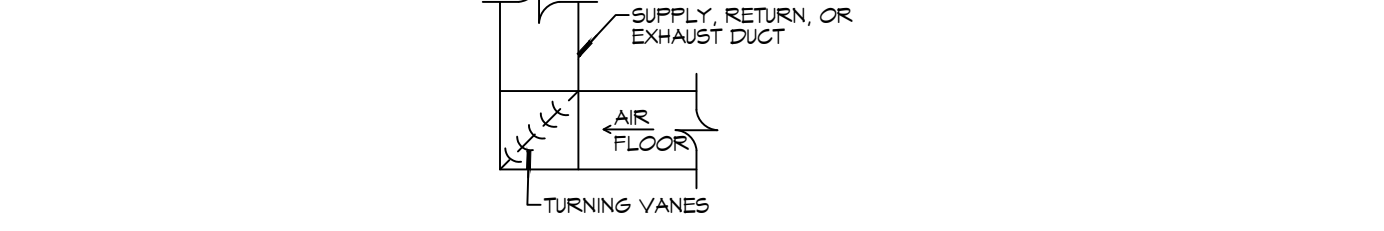
- NOTES:**
- PROVIDE ALL NEW AHUS WITH SINGLE POINT CONNECTIONS.
 - COOLING CAPACITIES TO BE RATED IN ACCORDANCE WITH AHRI STANDARD 210/290 FOR ASHRAE STANDARD DESIGN WEATHER CONDITIONS IN NEW ORLEANS, LA.
 - PROVIDE INLET FILTER BOX, CONDENSATE OVERFLOW SWITCH & PROGRAMMABLE 1/24 THERMOSTAT WITH LOCKABLE COVER.
 - INSTALL UNITS IN ACCORDANCE WITH MANUFACTURER'S RECOMMENDATIONS.
 - PROVIDE NEW FILTERS AFTER COMMISSIONING AND FINAL ACCEPTANCE.



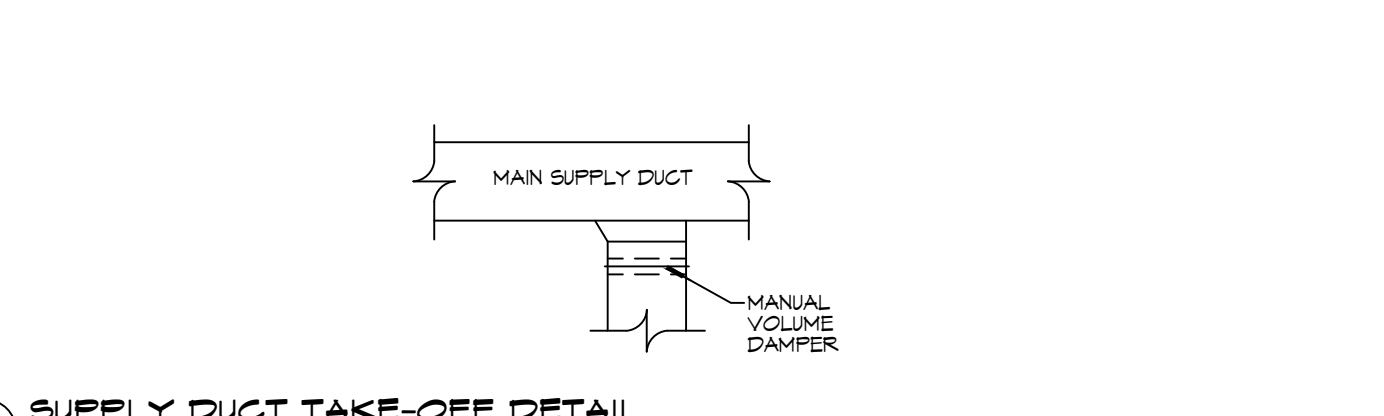
F DIFFUSER CONNECTION DETAIL - FLEX DUCT



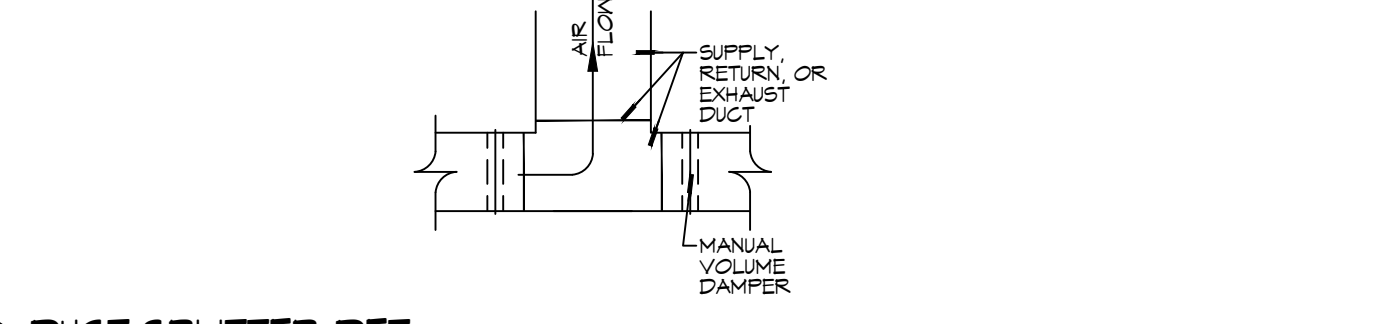
E TYPICAL HORIZONTAL AHU DETAIL



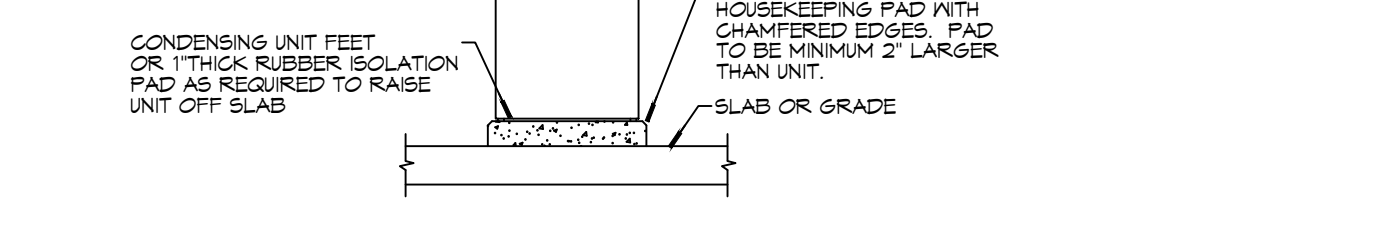
D SQUARE ELBOW DETAIL



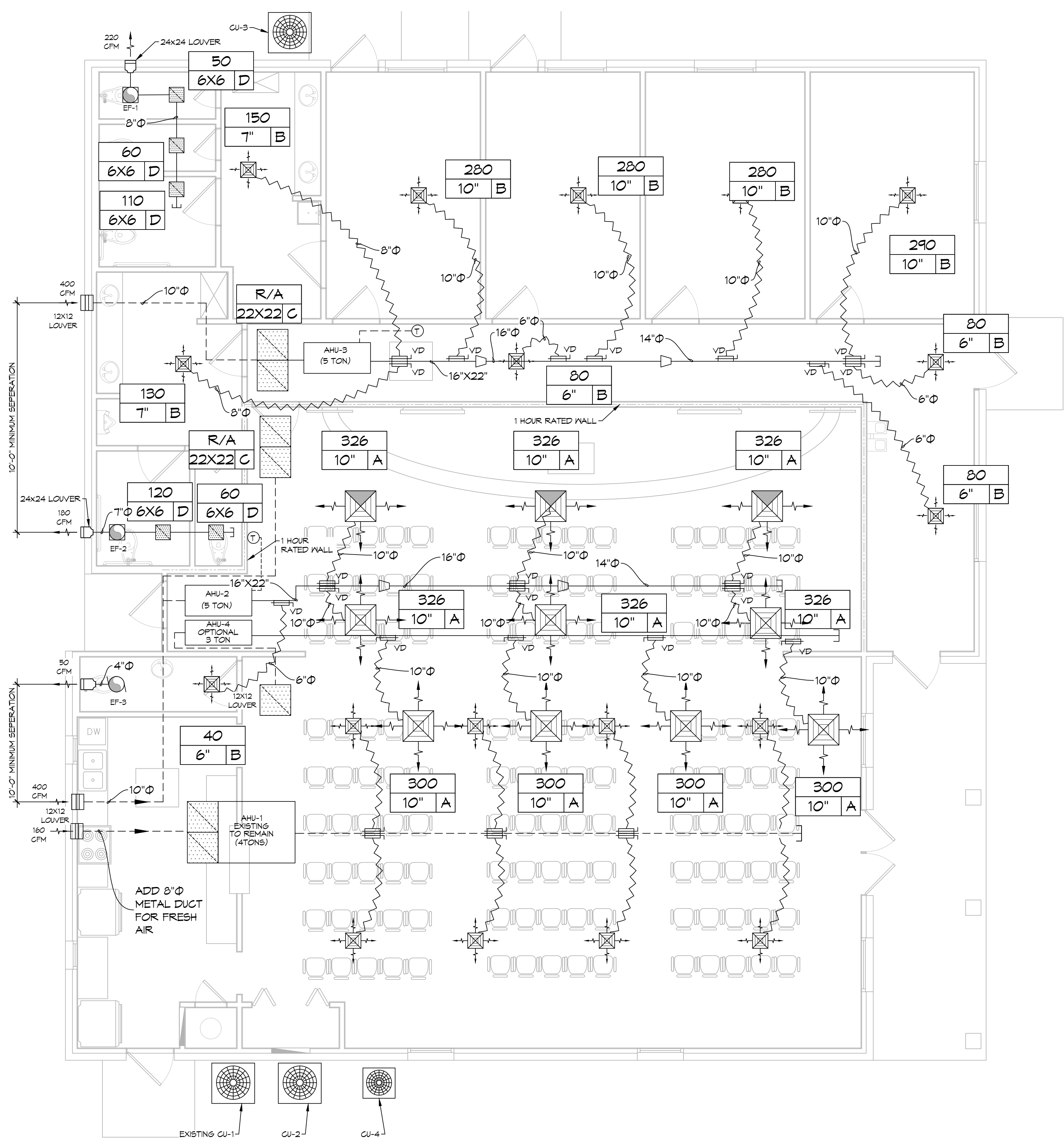
C SUPPLY DUCT TAKE-OFF DETAIL



B DUCT SPLITTER DET



A CONDENSING UNIT MOUNT



21 MECHANICAL FLOOR PLAN

20 DETAILS
SCALE: N.T.S.

DAMMON ENGINEERING, INC.
LOUISIANA & MISSISSIPPI
www.dammonengineering.com
info@dammonengineering.com
554 Old Spanish Trail
Slidell, LA 70458
Phone: 985.649.5832 Fax: 985.641.5950

#	DESCRIPTION	DATE



COMMUNITY CHURCH
5448 BACON RD.
SLIDELL, LA 70460
JOB No: 2483 DATE: 10/10/2023
DRAWN BY: BAK CHECKED BY: CKD

SHEET TITLE:
MECHANICAL FLOOR PLAN,
SCHEDULES AND DETAILS

DRAWING NUMBER:
M101

SHEET No: 12 of 15