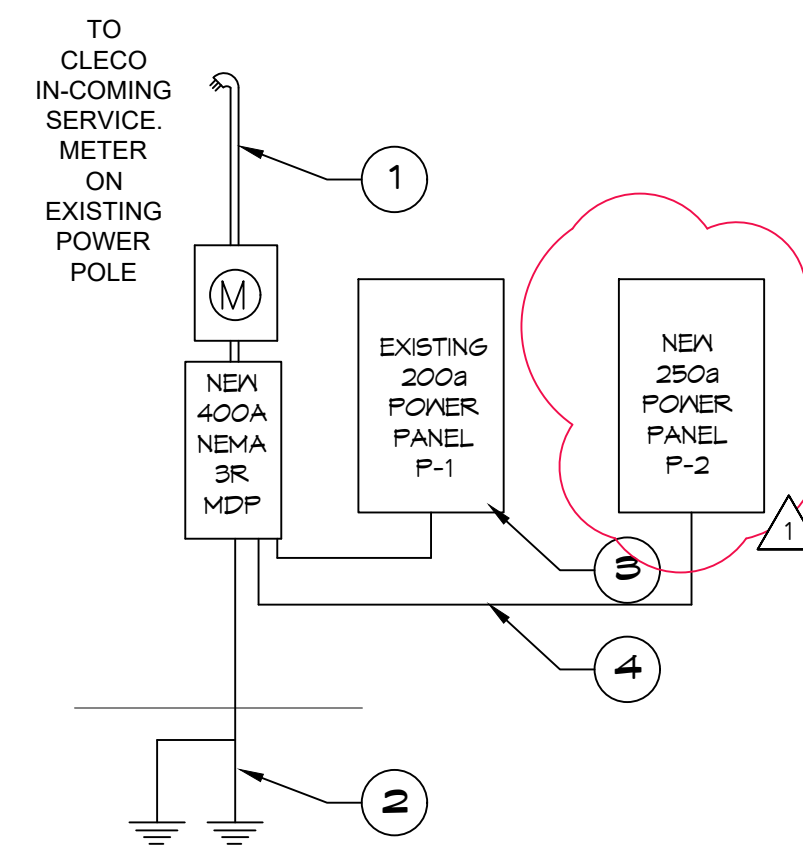


PANEL SCHEDULE

PANEL:		NEW MDP		VOLTAGE:		240V 1Ø 400amp, 56k AIC, NEMA 3R					
LOCATION:		BLDG FRONT WALL		ENCLOSURE:		SURFACE MOUNTED W/ EQUIPMENT GND					
FEEDER SOURCE:		CLECO				BAR SQ D TYPE GO LOAD CENTER					
CKT NO	THHN WIRE SIZE	LOAD DESCRIPTION	BREAKER	LOAD (kva)	AØ		LOAD (kva)	BREAKER	LOAD DESCRIPTION	THHN WIRE SIZE	CKT NO
		LOCATION	AMP POLE		POLE	AMP		LOCATION			
1	-	EXISTING 200a 1Ø PANEL	200	22.1	○	○	32.6	2	250	NEW 250a 1Ø PANEL	2
3	-			22.6	○	○	30.5				4
5					○	○					6
7					○	○					8
SOLID NEUTRAL NEUTRAL WIRE (N)				TOTAL CONNECTED LOAD (kva) = 108.4				GROUND BUS GROUND WIRE (G)			
				AØ = 55.3		BØ = 53.1					



ONE LINE NOTES:

- NEW 400a 1Ø WEATHERHEAD AND METER PAN.
- 2-3/4" X 10' CU CLAD GND ROD, #1/0 CU GND WIRE. PROTECT IN PVC PIPE. CONNECT TO METAL BLDG, COLD WATER SUPPLY & GAS LINE. CAD WELD ALL CONNECTIONS.
- RE-TERMINATE PANEL P1 TO NEW MDP. USE NEW COPPER WIRE.
- 3-250 MCM THHN, #2 GND, 3" C

24 ONE LINE DIAGRAM
SCALE:

PANEL SCHEDULE

PANEL:		EXISTING P1		VOLTAGE:		240V 1Ø 200amp MB					
LOCATION:		EXISTING P1		ENCLOSURE:		FLUSH MOUNTED W/ EQUIPMENT GND					
FEEDER SOURCE:		CLECO				BAR SQ D TYPE GO LOAD CENTER					
CKT NO	THHN WIRE SIZE	LOAD DESCRIPTION	BREAKER	LOAD (kva)	AØ		LOAD (kva)	BREAKER	LOAD DESCRIPTION	THHN WIRE SIZE	CKT NO
		LOCATION	AMP POLE		POLE	AMP		LOCATION			
1	-	EXISTING AHU & HEATER	60	6.5	○	○	3.5	1	40	EXISTING 4TON CU	2
3	-			6.5	○	○	3.5				4
5	-	STOVE	50	4.0	○	○	1.0	1	15		6
7	-			4.0	○	○	1.0	1	15		8
9	-	*** SUB PANEL -- DEMO'd	100	15.0	○	○	1.4	1	20	FELLOWSHIP OUTLETS	10
11	-			19.2	○	○	1.4	1	20		12
13	-	BACK WALL OUTLETS	20	1.4	○	○	1.4	1	20		14
15	-	L - DIVIDER WALL OUTLETS	20	1.4	○	○	1.4	1	15	FELLOWSHIP OUTLETS	16
17	-	KITCHEN LIGHTS	20	1.4	○	○	1.4	1	20	L - DIVIDER WALL OUTLETS	18
19	-	R - DIVIDER WALL OUTLETS	20	1.4	○	○	1.4	1	20	R - DIVIDER WALL OUTLETS	20
21	-	BATHROOM LIGHTS	20	1.4	○	○	1.4	1	20		22
23	-	BACK WALL OUTLETS & DISHWASHER	20	1.8	○	○	1.4	1	20	EXISTING 4 TON A/C FAN	24
25	-	SPACE		-	○	○	1.4	1	20	BACK WALL OUTLETS	26
27	-	SPACE		-	○	○	1.4	1	20	BACK WALL OUTLETS	28
29	-	SPACE		-	○	○	0.5	1	20	WASHER OUTLET	30
SOLID NEUTRAL NEUTRAL WIRE (N)				TOTAL CONNECTED LOAD (kva) = 59.3				GROUND BUS GROUND WIRE (G)			
				AØ = 26.7		BØ = 26.6					

PANEL SCHEDULE

PANEL:		NEW P2		VOLTAGE:		240V 1Ø 250amp MB					
LOCATION:		NEW P2		ENCLOSURE:		FLUSH MOUNTED W/ EQUIPMENT GND					
FEEDER SOURCE:		MDP				BAR SQ D TYPE GO LOAD CENTER					
CKT NO	THHN WIRE SIZE	LOAD DESCRIPTION	BREAKER	LOAD (kva)	AØ		LOAD (kva)	BREAKER	LOAD DESCRIPTION	THHN WIRE SIZE	CKT NO
		LOCATION	AMP POLE		POLE	AMP		LOCATION			
1	-	NEW AHU-2	60	6.7	○	○	3.9	2	50	NEW CU-2	2
3	-			6.7	○	○	3.9				4
5	-	NEW AHU-3	60	6.7	○	○	3.9	2	50	NEW CU-3	6
7	-			6.7	○	○	3.9				8
9	-	NEW AHU-4 (OPTIONAL)	30	3.5	○	○	3.2	2	30	NEW OPTIONAL CU-4	10
11	-			3.5	○	○	3.2				12
13	12	BATHROOM FANS AND OUTLETS	20	1.2	○	○	1.3	1	20	OUTLETS IN AUDITORIUM	12
15	12	WATER FOUNTAIN	20	0.5	○	○	1.1	1	20	CLASSROOMS	12
17	12	CLASSROOMS	20	1.1	○	○	1.1	1	20	CLASSROOM & WOMEN'S RESTROOM	12
19	12	LIGHTING	20	1.0	○	○	-	1	20	SPARE	20
21	-	SPACE	20	-	○	○	-	1	20	SPARE	22
23	-	SPACE		-	○	○	-	1		SPACE	24
25	-	SPACE		-	○	○	-	1		SPACE	26
27	-	SPACE		-	○	○	-	1		SPACE	28
29	-	SPACE		-	○	○	-	1		SPACE	30
SOLID NEUTRAL NEUTRAL WIRE (N)				TOTAL CONNECTED LOAD (kva) = 63.1				GROUND BUS GROUND WIRE (G)			
				AØ = 32.6		BØ = 30.5					

NOTE: PROVIDE BREAKERS TO MATCH HVAC INSTALLED.

25 PANEL BOARD SCHEDULES
SCALE:

DAMMON ENGINEERING, INC.
LOUISIANA & MISSISSIPPI

www.dammonengineering.com
5649 Old Highway 101, Suite 101, Slidell, LA 70460
PH: 985.649.5832 F: 985.641.5990

REVISIONS	DATE
# DESCRIPTION	
1 Revised HVAC & Increased Panel P2 to 250Amp	3/20/2024



COMMUNITY CHURCH
CAPTIVIST CHURCH

54419 BAYON RD.
SLIDELL, LA 70460

JOB No: 2483 DATE: 10/10/2023
DRAWN BY: BAW
CHECKED BY:

SHEET TITLE:
PANEL SCHEDULES & ONE LINE DIAGRAM

DRAWING NUMBER:

E103