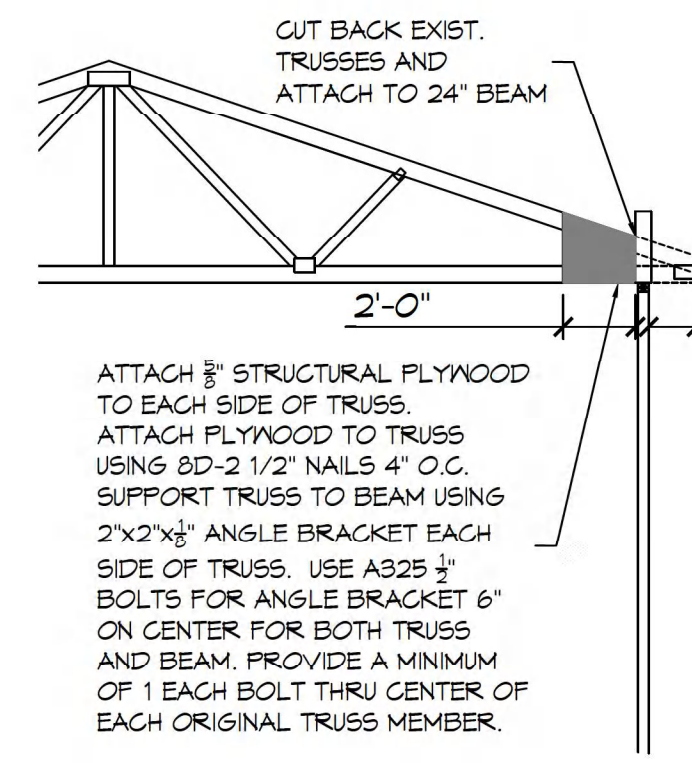


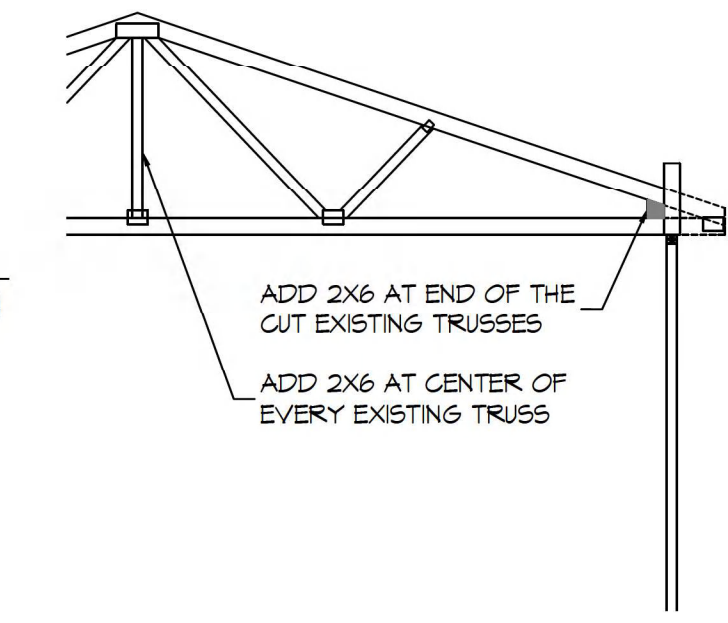
10 CROSS SECTION
SCALE: 3/16" = 1'-0"

WOOD FRAME CROSS SECTION



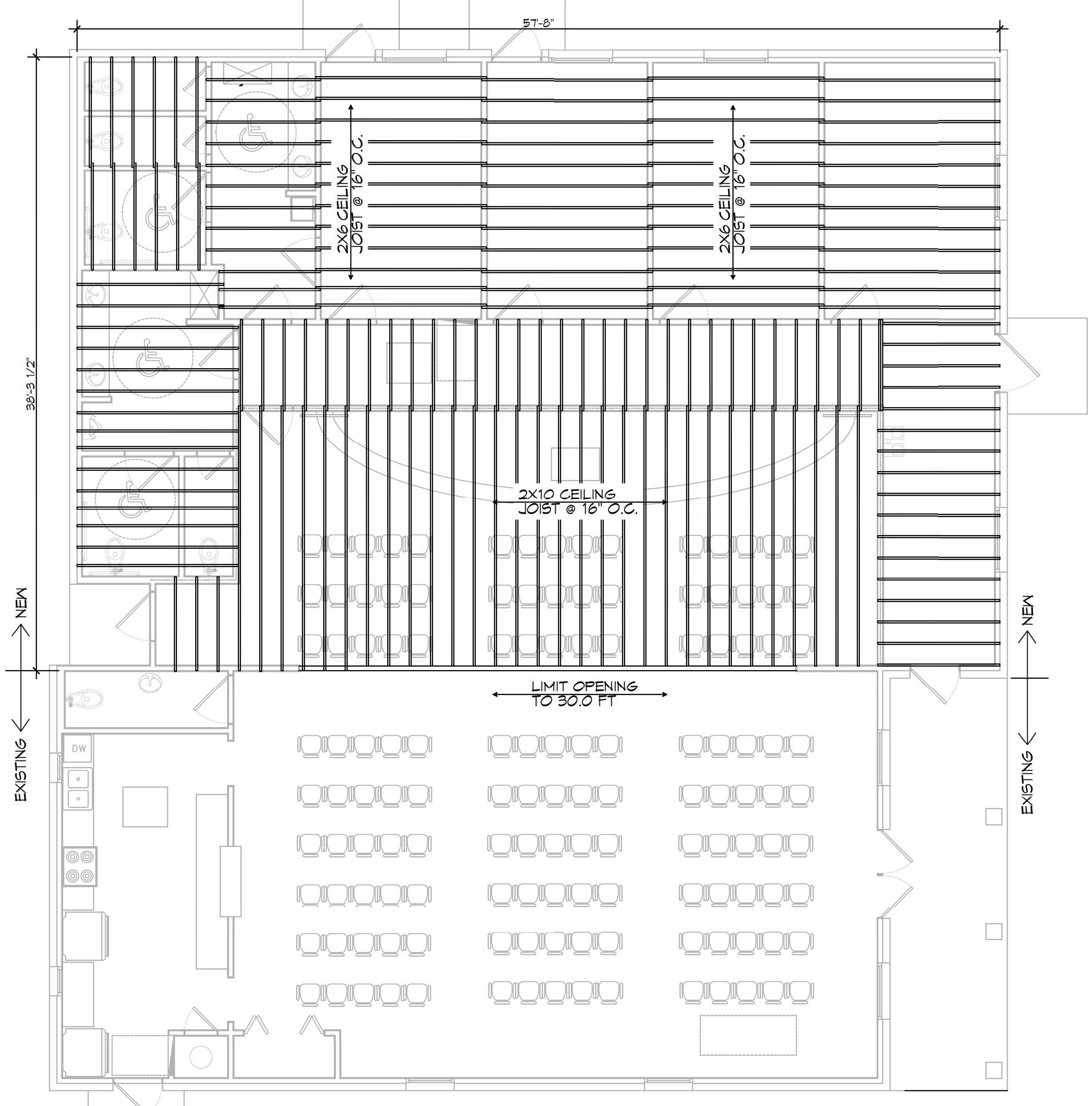
A DETAIL
SCALE: 3/16" = 1'-0"

EXISTING TRUSS



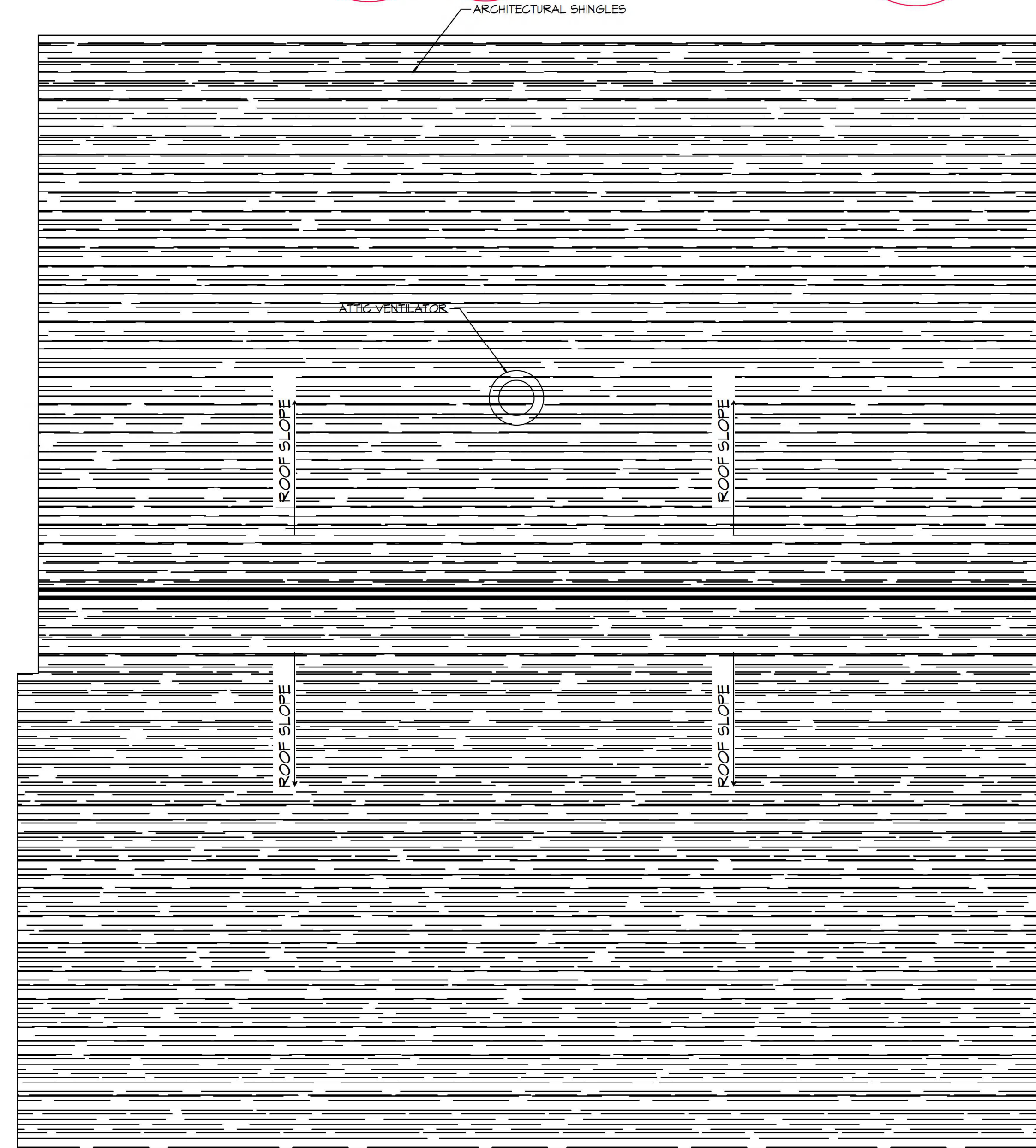
B DETAIL
SCALE: 3/16" = 1'-0"

EXISTING TRUSS



11 CEILING JOIST PLAN
SCALE: 3/16" = 1'-0"

CEILING JOIST



12 ROOF PLAN
SCALE: 3/16" = 1'-0"

ROOF PLAN

DAMMON
ENGINEERING, INC.
LOUISIANA & MISSISSIPPI
www.dammonengineering.com
info@dammonengineering.com
554 Old Spanish Trail
Shreveport, LA 70508
Chief Engineer: Brian Mistich, PE
Ph: 985.649.5832 F: 985.641.3950

REVISIONS	DATE	DESCRIPTION
1	3/22/2024	Added Truss Detail



COMMUNITY CHURCH
54413 BADON RD
SLIDELL, LA 70460
JOB No: 2483 DATE: 10/10/2023
DRAWN BY: BANI CHECKED BY: CSD

SHEET TITLE:
BLDG SECTION, CEILING
JOIST AND ROOF PLAN

DRAWING NUMBER:

S102