

LIFE-SAFETY INFORMATION	
APPLICABLE CODES	
NFPA 101 LIFE-SAFETY CODE 2015	
OCCUPANCY TYPE(S) AND CHAPTER(S)	
ASSEMBLY A-2 & A-3 (CHAPTER 12)	
MIXED OCCUPANCY (REFERENCE CHAPTER 6)	
OCCUPANT LOAD FACTOR (REFERENCE TABLE 7.3.1.2)	
ASSEMBLY A-3 (WITHOUT FIXED SEATS)	135 + 2 WHEEL CHAIR = 137 OCCUPANTS
ASSEMBLY A-2 100 SF PER PERSON	7 OCCUPANTS
144 OCCUPANTS	
CLASSIFICATION OF HAZARD OF CONTENTS	
(REFERENCE: OCCUPANCY CHAPTER AND 6.2.2) SPECIFY LOW, ORDINARY, OR HIGH	
CONSTRUCTION TYPE= VB (REFERENCE: CHAPTERS, TABLE A.8.2.1.2 AND COMMENTARY TABLE 6.1 IN HANDBOOK)	
MINIMUM EXIT SEPARATION DISTANCE FOR REMOTELY LOCATED EXITS	
(REFERENCE: SECTION 7.5; SPECIFY 1/2 OR 1/3 DIAGONAL DISTANCE OF AREA SERVED)	
1/2 DIAGONAL =	47'-8"
MAXIMUM DEAD-END CORRIDORS (REFERENCE: OCCUPANCY CHAPTER AND TABLE A.7.6)	
20 FEET	
MAXIMUM COMMON PATH OF TRAVEL DISTANCE (REFERENCE: OCCUPANCY CHAPTER AND TABLE A.7.6)	
20 FEET/75 FEET	
MAXIMUM TRAVEL DISTANCE TO EXITS (REFERENCE: OCCUPANCY CHAPTER AND TABLE A.7.6)	
200 FEET	
*MAIN ENTRANCE MUST BE SIGNED TO ACCOMMODATE 1/2 OCCUPANT LOAD OF BUILDING	
EXTINGUISHMENT REQUIREMENTS NOT SPRINKLERED (NOT REQUIRED)	
DETECTION, ALARM, AND COMMUNICATION SYSTEMS NO	
ALLOWABLE HEIGHT AND BUILDING AREA PER IBC EQUIVALENT CONSTRUCTION TYPE	

BUILDING CODE INFORMATION	
APPLICABLE CODES	
IBC 2021	
ASSEMBLY GROUP A2 & A3 (IBC 2021 CHAPTER 9)	
OCCUPANT LOAD CALCULATIONS (TABLE 1004.1.2)	
ASSEMBLY 3 (WITHOUT FIXED SEATS) + 1 PERSON / 1 FT <sup>2</sup> + 2 WHEELCHAIR	1 PERSON / 1 FT <sup>2</sup> = 135 + 2 = 137 OCCUPANTS
ASSEMBLY 2	100 SF PER PERSON = 7 OCCUPANTS
TOTAL OCCUPANTS	144 OCCUPANTS
CONSTRUCTION TYPE(S) VB (SECTION 602)	
ALLOWABLE HEIGHT AND BUILDING AREA LIMITED BY TYPE OF CONSTRUCTION	
MAXIMUM HEIGHT IN STOREYS (SECTION 503 & 504, TABLE 504.4)	1
MAXIMUM AREA IN SQUARE FEET (SECTION 503, 506 & 507, TABLE 506.2) WITH AREA INCREASE, NS-A2 & NS-A3	10,500 SF
BUILDING AREA IN SQUARE FEET	7,840 SF

WIND SPEED DESIGN REQUIREMENTS	
THIS BUILDING SHALL BE DESIGNED WITH IBC SEC 1609 AS A FULLY ENCLOSED BLDG USING THE FOLLOWING INFORMATION:	
WIND DESIGN DATA: DETERMINATION OF WIND LOADS SHALL BE IN ACCORDANCE WITH IBC SEC 1609.3 (A), (B), OR (C) DEPENDING ON THE RISK CATEGORY	
ULTIMATE WIND SPEED =	142 MPH (IBC FIG 1609C)
NOMINAL WIND SPEED =	V <sub>50</sub> = 110 MPH
RISK FACTOR:	CATEGORY II
SURFACE ROUGHNESS =	B
TOPOGRAPHIC FACTOR =	1
EXPOSURE =	B
INTERNAL PRESSURE COEFFICIENT (ASCE 7-10 TABLE 26.11-1):	± 0.18
LIVE LOADS (IBC SEC 1607)	
ASSEMBLY FIXED SEATING (IBC TABLE 1607.1):	60 PSF
PLATFORMS (ASSEMBLY) (IBC TABLE 1607.1):	100 PSF
LOBBIES (IBC TABLE 1607.1):	100 PSF
CLASSROOMS (IBC TABLE 1607.1):	40 PSF UNIFORM, 1,000 LB CONCENTRATED
ROOF LIVE LOADS (IBC TABLE 1607.1):	20 PSF UNIFORM, 300 LB CONCENTRATED
SNOW LOADS (IBC TABLE 1608):	
GROUND SNOW LOAD (IBC FIG 1608.2):	5 PSF

FLOOD ZONE INFORMATION	
BASED ON THE SURVEY OF THIS PROPERTY BY J.V. BURKES AND ASSOCIATES, INC. THIS PROPERTY IS NOT IN A SPECIAL FLOOD HAZARD AREA. F.I.R.M. COMMUNITY MAP NO 225205142 E; REVISED 4/21/1999	
FLOOD ZONE:	B
BASE FLOOD ELEVATION	N/A NGVD
ELEVATIONS REFER TO NGVD 1929 DATUM	

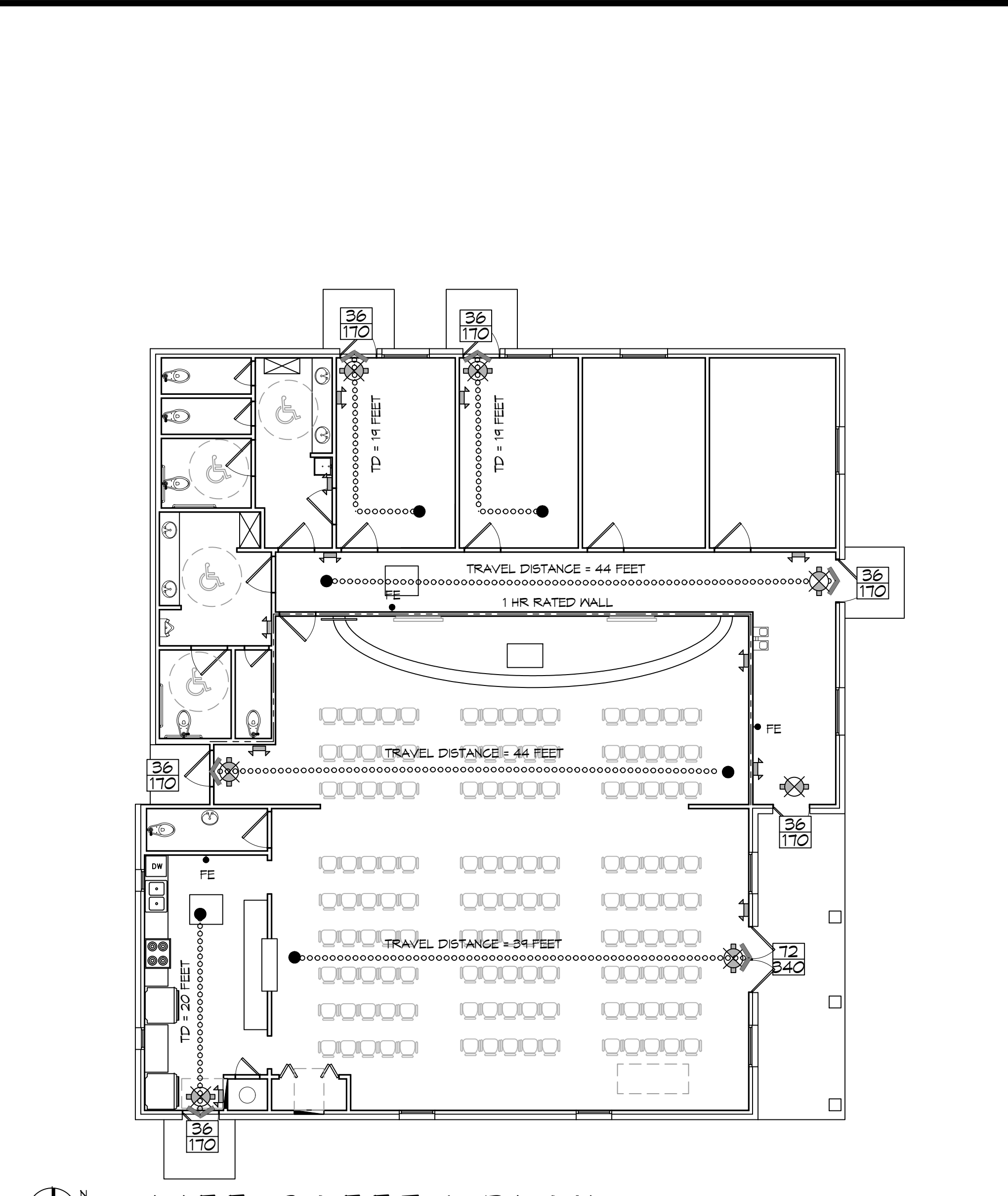
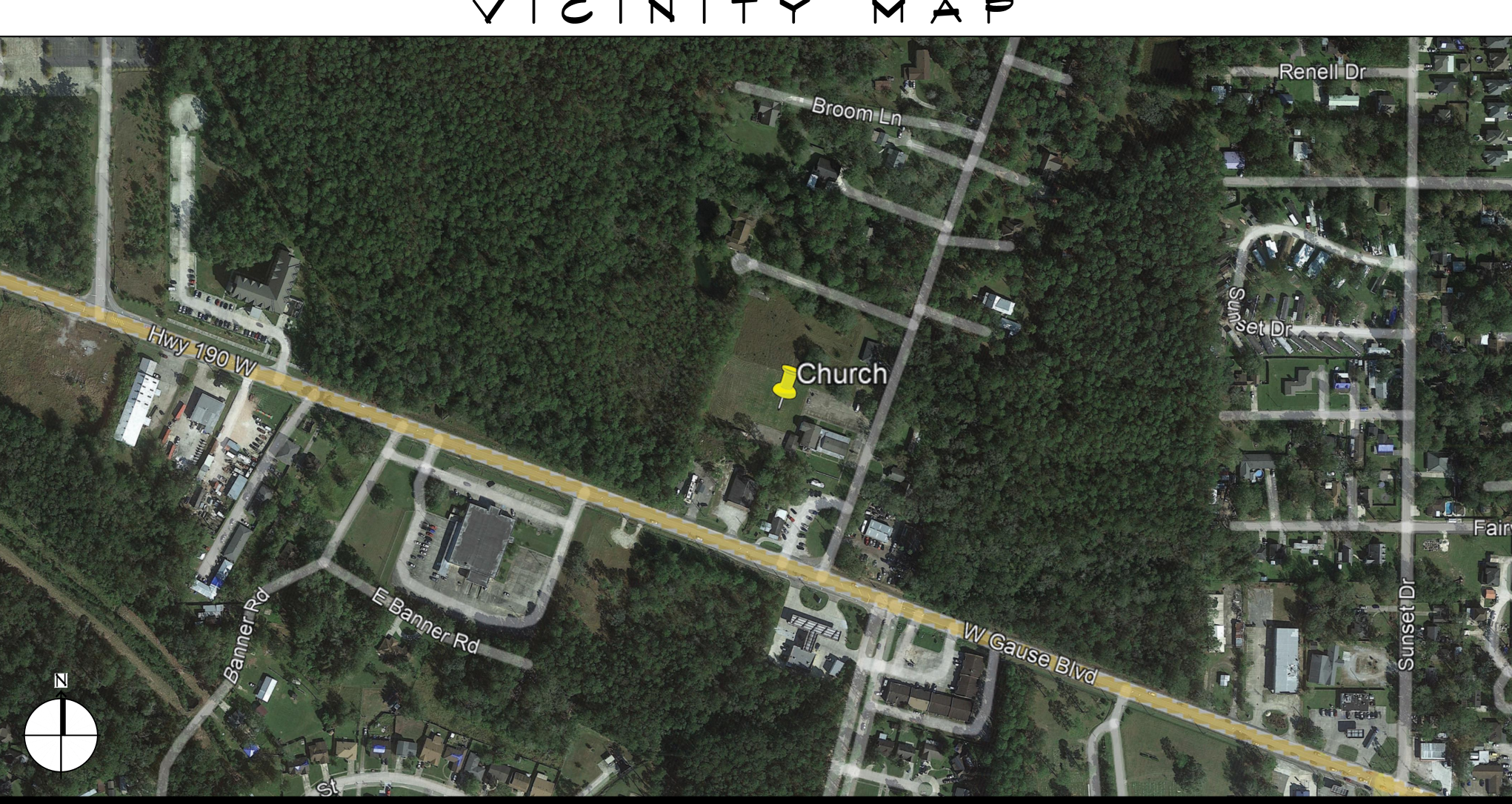
PROJECT STATISTICS	
SQUARE FOOTAGE	
EXIST. BUILDING	1416 SF
ADDITION	2209 SF
TOTAL ENCLOSED SPACE	3621 SF
PROJECT LOCATION:	OWNER:
59143 BADON ROAD	PASTOR DAN CARR
PEARL RIVER, LA 70460	

**DESIGN CRITERIA**

THE CONSTRUCTION FOR SAID RESIDENCE, WHERE BASIC WIND SPEED IS 130 MILES PER HOUR, WIND EXPOSURE ZONE B, IS DESIGNED IN ACCORDANCE WITH: AMERICAN FOREST AND PAPER ASSOCIATION (AF&PA) WOOD FRAME CONSTRUCTION MANUAL FOR ONE AND TWO FAMILY DWELLINGS (WFCM) 2001 EDITION AS WELL AS THE INTERNATIONAL RESIDENTIAL CODE (IRC) 2021 EDITION

**C O M M U N I T Y**  
**C H U R C H**  
**M U L T I P U R P O S E**  
**B U I L D I N G**  
**S L I D E L L**  
**L O U I S I A N A**

LIFE-SAFETY LEGEND	
SYMBOL	DESCRIPTION
	EXITS
	DOOR FIRE RATING (MINUTES)
	DOOR WIDTH/EGRESS CAPACITY
	EXIT LIGHT
	FIRE EXTINGUISHER AND CABINET
	FIRE EXTINGUISHER W/ WALL MTD BRACKET
	COMMON PATH OF TRAVEL
	TRAVEL DISTANCE
	DECISION POINT
	SMOKE PARTITION
	ONE-HOUR FIRE RATED PARTITION
	TWO-HOUR FIRE RATED PARTITION
	TWO-HOUR FIRE/SMOKE PARTITION
	FOUR-HOUR RATED PARTITION



SHEET INDEX	
SHEET #	SHEET TITLE
6001	GENERAL PROJECT, LIFE-SAFETY AND CODE INFORMATION
6002	ACCESSIBILITY INFORMATION
C101	SITE PLAN
C102	EXISTING SITE DRAINAGE PLAN
C103	SITE UTILITY PLAN/EROSION CONTROL
S101	FOUNDATION PLAN
S102	BLDG SECTION, CEILING JOIST AND ROOF PLAN
S103	TYPICAL CONNECTION DETAILS, SCHEDULES, AND NOTES
A101	FLOOR PLAN
A102	EXTERIOR ELEVATIONS
P101	PLUMBING FLOOR PLAN
M101	MECHANICAL FLOOR PLAN, DETAILS AND SCHEDULES
E101	POWER PLAN
E102	ELECTRICAL PANEL AND ONE LINE DIAGRAM
E103	PANEL SCHEDULES AND ONE LINE DIAGRAM

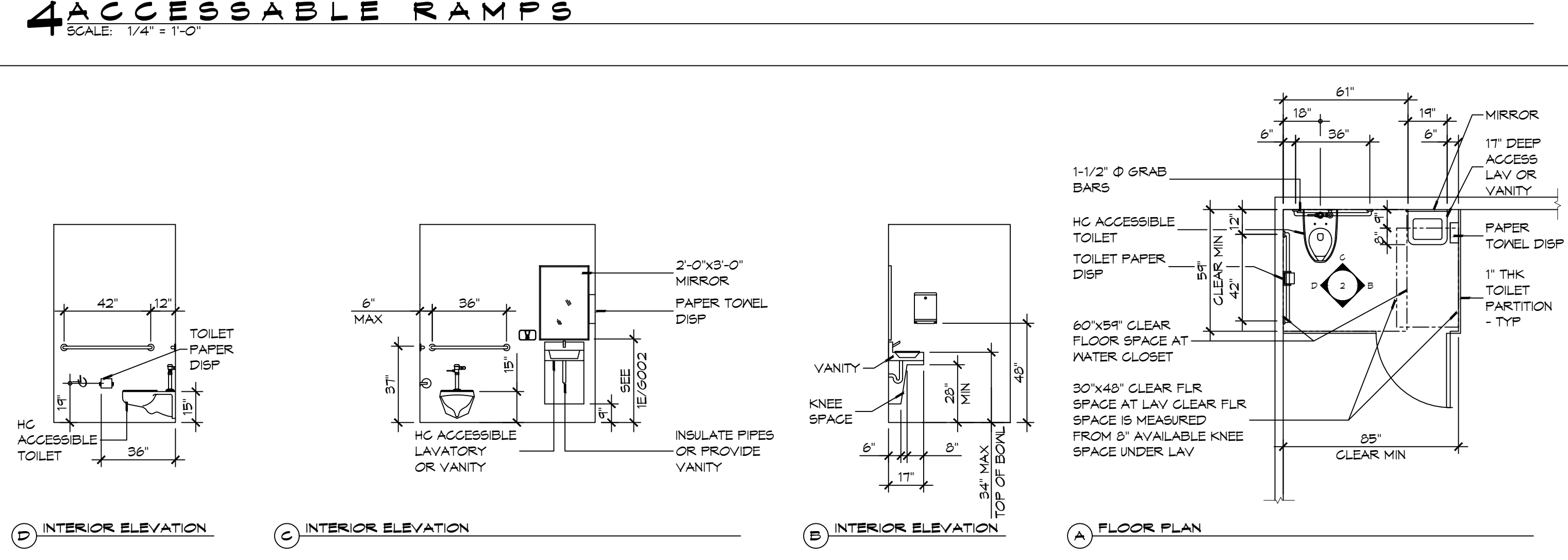
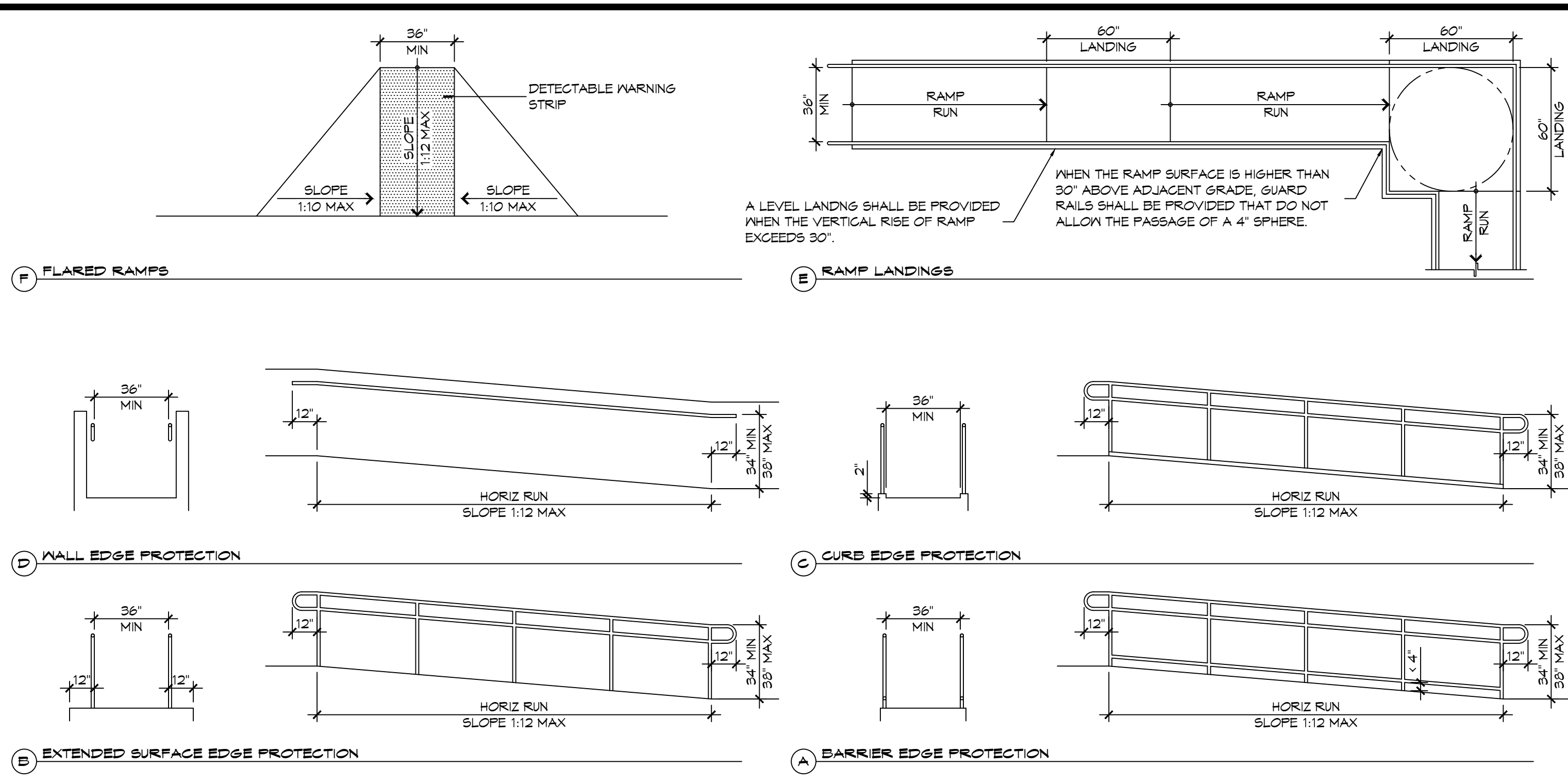
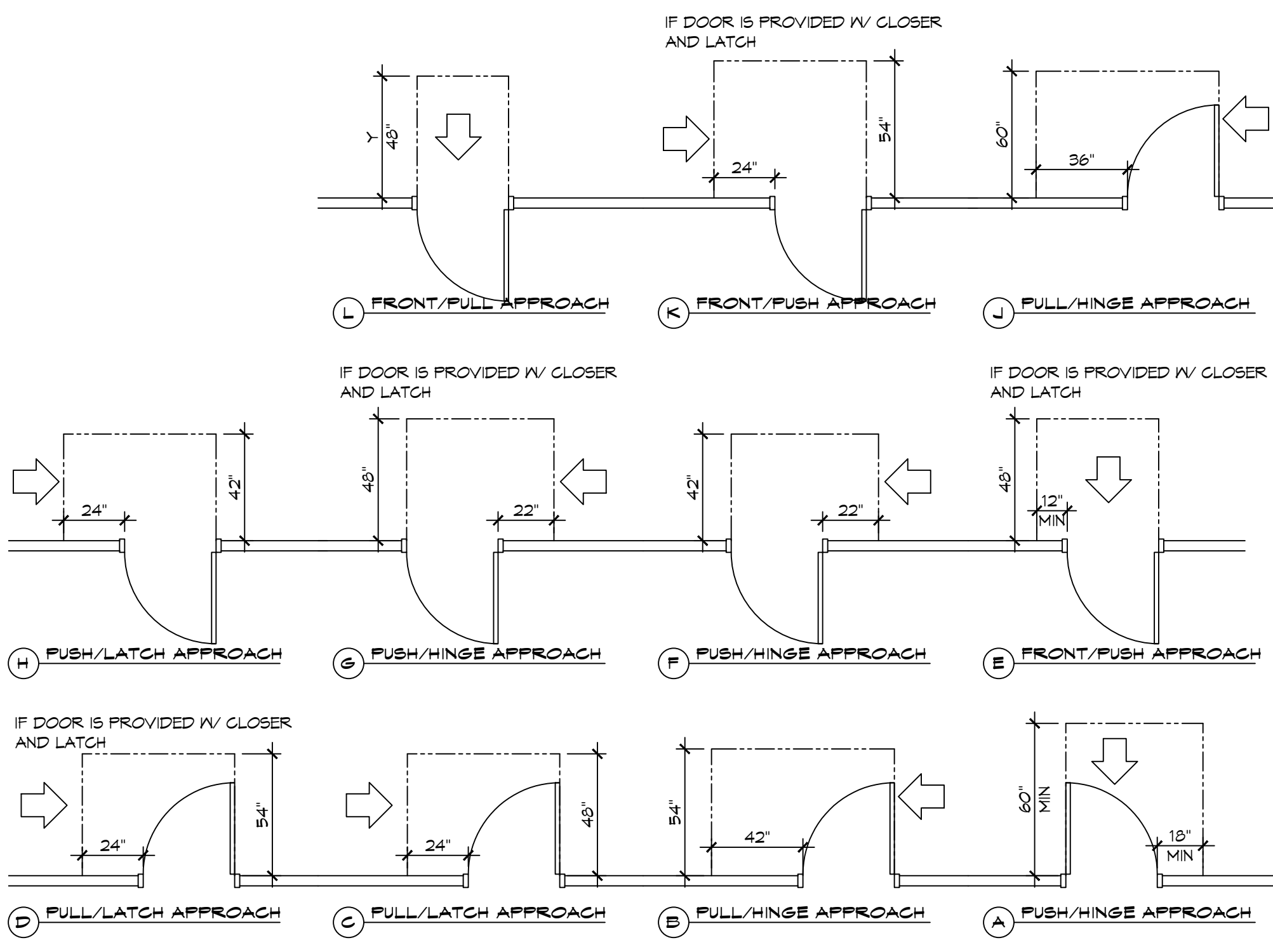
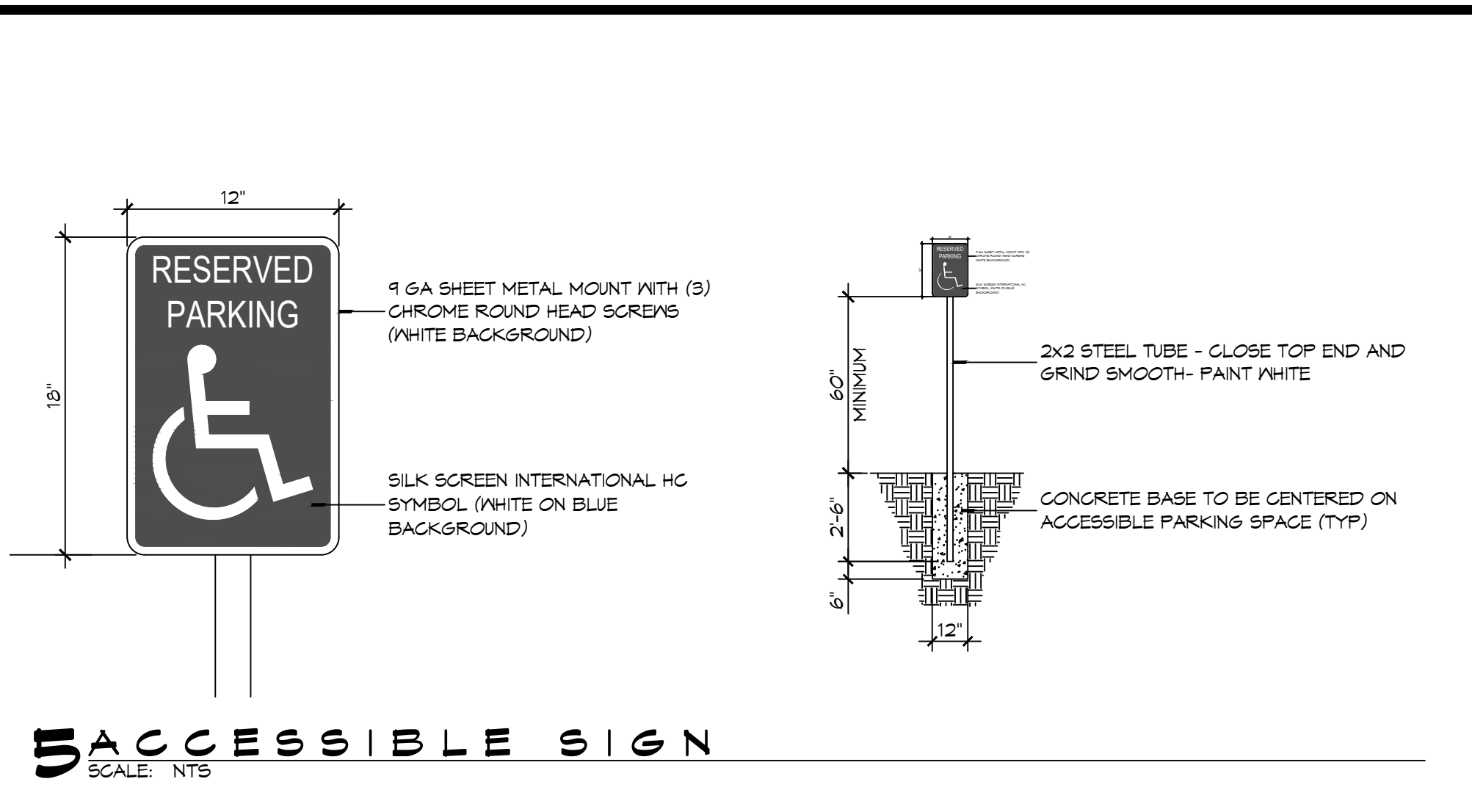
GENERAL NOTES	
1.	ALL MATERIALS AND WORK, INCIDENTAL TO THE CONSTRUCTION OF THIS PROJECT, SHALL CONFORM TO ALL GOVERNING CODES, AND REGULATIONS OF AGENCIES IN AUTHORITY.
2.	CONTRACTOR SHALL PROVIDE ALL PUBLIC PROTECTIONS NECESSARY AS REQUIRED BY LAW.
3.	THE DRAWINGS, SPECIFICATIONS AND ANY SUBSEQUENTLY ISSUED ADDENDA, AMENDMENTS OR SUCH CHANGE ORDERS APPROVED BY THE OWNER AND THE CONTRACTOR ARE PART OF THESE CONTRACT DOCUMENTS.
4.	DO NOT SCALE DRAWINGS. CONSULT WITH THE ARCHITECT REGARDING ANY ITEMS IN THE CONTRACT DOCUMENTS THAT REQUIRE CLARIFICATION.
5.	TRASH SHALL BE REMOVED FROM THE SITE NOT LESS THAN TWICE MONTHLY.
6.	THE GENERAL CONTRACTOR SHALL VERIFY EXISTING CONDITIONS PRIOR TO COMMENCING WORK AND REPORT ANY AND ALL DISCREPANCIES TO THE ARCHITECT.
7.	CONTRACTOR VEHICLES AND EQUIPMENT NECESSARY FOR CONSTRUCTION MAY BE PARKED ON THE SITE. OTHER VEHICLES PARKED ON THE SITE REQUIRE THE OWNER'S PERMISSION.
8.	NAMING A CERTAIN BRAND, MAKE OR MANUFACTURER IS TO DESIGNATE THE GENERAL STYLE, TYPE, CHARACTER AND QUALITY STANDARD OF THE PRODUCT DESIRED. SUBSTITUTION REQUESTS MUST BE SUBMITTED PRIOR TO BIDDING.
9.	ALL MATERIALS/EQUIPMENT SHALL BE INSTALLED PER MANUFACTURER'S RECOMMENDATIONS. WORK NOT CONSISTENT WITH MANUFACTURER'S RECOMMENDATIONS WILL BE REJECTED BY OWNER/ARCHITECT.

LOUISIANA & MISSISSIPPI

Chief Engineer: Brian Mirtich, PE  
 554 Old Spanish Trail  
 Slidell, LA 70458  
 www.dammonengineering.com  
 info@dammonengineering.com  
 PH: 985.649.5832 F: 985.641.5950

#	DESCRIPTION	DATE

59143 BADON RD SLIDELL, LA 70460 JOB No: 2493 DATE: 10/10/2023 DRAWN BY: CKD CHECKED BY: CKD	<b>COMMUNITY CHURCH</b> SUBAPTIST CHURCH SHEET TITLE: <b>GENERAL PROJECT, LIFE SAFETY AND CODE INFORMATION</b> DRAWING NUMBER: <b>6002</b> SHEET No: 1 of 15
---	--

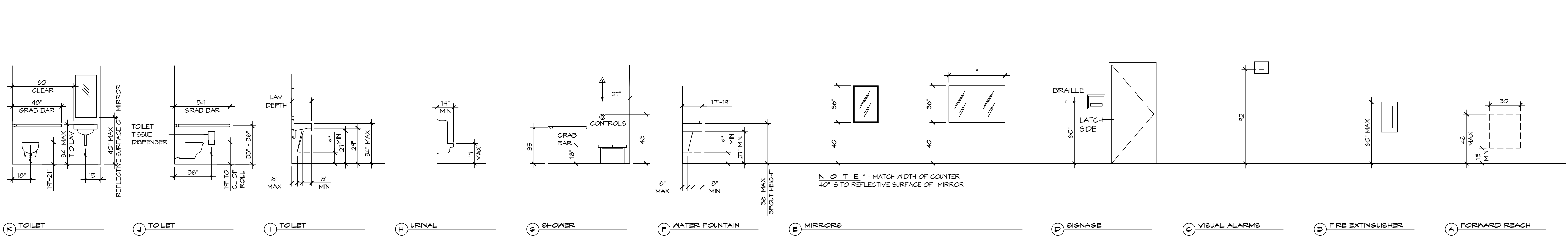
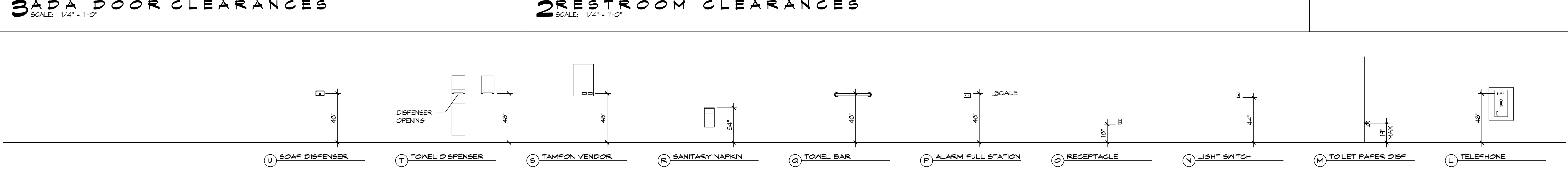


**ACCESSIBILITY NOTES**

**DOOR CLEARANCE NOTES**  
ALCOVES SHALL COMPLY WITH THE CLEARANCES FOR FRONT APPROACHES, 316.002 - 316.002.2.  
DOOR HARDWARE SHALL BE LEVER TYPE.  
MAX DOOR OPENING FORCE:  
INTERIOR HINGED DOORS: 5 LBF  
EXTERIOR HINGED DOORS: 8.5 LBF  
SLIDING OR FOLDING DOORS: 5 LBF  
FIRE DOORS SHALL HAVE THE MINIMUM OPENING FORCE ALLOWABLE BY THE APPROPRIATE ADMINISTRATIVE AUTHORITY.  
HARDWARE REQUIRED FOR ACCESSIBLE DOOR PASSAGE SHALL BE MOUNTED NO HIGHER THAN 48" AND NOT LESS THAN 34" ABOVE FINISHED FLOOR.  
THE FLOOR OR GROUND AREA WITHIN THE REQUIRED CLEARANCES SHALL BE LEVEL AND CLEAR.  
THRESHOLDS AT DOORWAYS SHALL NOT EXCEED 3/4" IN HEIGHT FOR EXTERIOR SLIDING DOORS OR 1/2" FOR OTHER TYPES OF DOORS. RAISED THRESHOLDS AND FLOOR LEVEL CHANGES AT ACCESSIBLE DOORWAYS SHALL BE BEVELED WITH A SLOPE NO GREATER THAN 1:2.  
DOORWAYS SHALL HAVE A MINIMUM CLEAR OPENING OF 32" WITH THE DOOR OPEN 90°, MEASURED BETWEEN THE FACE OF THE DOOR AND THE OPPOSITE STOP. OPENINGS MORE THAN 24" IN DEPTH SHALL MAINTAIN 32" MIN CLEARANCE.  
**RAMP NOTES**  
THE CLEAR SPACE BETWEEN THE HANDRAIL AND THE WALL SHALL BE MIN 1-1/2" CLEAR.  
GRIPPING SURFACES SHALL BE CONTINUOUS AND UNOBSTRUCTED. ENDS OF HANDRAILS SHALL BE EITHER ROUNDED OR RETURNED SMOOTHLY TO FLOOR, WALL, OR POST.  
HANDRAILS SHALL NOT ROTATE WITHIN THEIR FITTINGS.  
THE CROSS SLOPE OF RAMP SURFACES SHALL BE NO GREATER THAN 1:50. OUTDOOR RAMPS AND THEIR APPROACHES SHALL BE DESIGNED SO THAT WATER WILL NOT ACCUMULATE ON WALKING SURFACES.  
RAMPS AND LANDINGS WITH DROP-OFFS SHALL HAVE CURBS, WALLS, RAILINGS, OR PROTECTING SURFACES THAT PREVENT PEOPLE FROM SLIPPING OFF THE RAMP. CURBS SHALL BE A MINIMUM OF 2" HIGH. HANDRAILS SHALL BE PROVIDED ALONG BOTH SIDES OF RAMP SEGMENTS. THE INSIDE HANDRAIL ON SWITCHBACK OR DOGLEG RAMPS SHALL ALWAYS BE CONTINUOUS.  
RAMP LANDINGS SHALL BE AT LEAST AS WIDE AS THE RAMP RUN LEADING TO IT.

**GENERAL SITE ACCESSIBILITY NOTES**

- ACCESSIBILITY SIGNAGE SHALL COMPLY WITH ADAAG 2010 GUIDELINES SECTION 103.7.
- SEE SHEET FOR ACCESSIBLE RAMP AND HANDRAIL DESIGNS WHERE THEY OCCUR.
- ALL ACCESSIBLE PARKING SPACES AND ASILES THAT SERVE THEM SHALL COMPLY WITH ADAAG 2010 GUIDELINES SECTIONS 302.4 AND 302.5.
- OPENINGS IN GROUND SURFACES SHALL COMPLY WITH ADAAG 2010 GUIDELINES SECTION 302.3.
- VERTICAL CHANGES IN ELEVATION ALONG ALL ACCESSIBLE ROUTES SHALL COMPLY WITH ADAAG 2010 GUIDELINES SECTIONS 303.2, 303.3, AND 303.4.
- PARKING SPACES DESIGNATED AS ACCESSIBLE SHALL INCLUDE THE INTERNATIONAL SYMBOL OF ACCESSIBILITY COMPLYING WITH ADAAG 2010 GUIDELINES SECTIONS 103.1.2.1 AND 302.6.
- ALL ACCESSIBLE PARKING SPACES AND ROUTES SERVING THEM SHALL HAVE A ROUGH, SLIP-RESISTANT SURFACE OR LIGHT BROOM FINISH IN COMPLIANCE WITH ADAAG 2010 GUIDELINES SECTION 302.1.



**DAMMON ENGINEERING, INC.**  
LOUISIANA & MISSISSIPPI  
www.dammonengineering.com  
55400 Old Highway 101, Suite 101  
Slidell, LA 70460  
PH: 985-649-5832 F: 985-641-5993

#	DESCRIPTION	DATE



**COMMUNITY CURCH**  
COMPANISTS

54419 BADON RD  
SLIDELL, LA 70460  
JOB No: 24-83 DATE: 10/10/2023  
DRAWN BY: JKS CHECKED BY: JTL

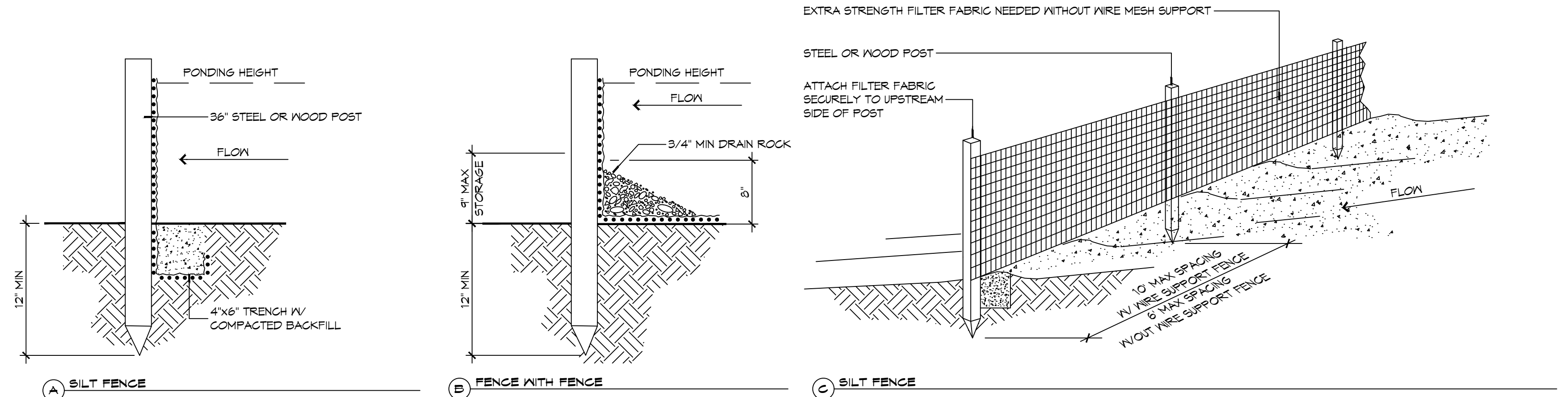
SHEET TITLE:  
ACCESSIBILITY INFORMATION

DRAWING NUMBER:





FILE NAME: A:\\_PROJECTS\2463 - Community Report - Sluice\Drawings\Sheet\2463-0103.dwg  
 PLOT DATE: 10/20/23  
 PLOT TIME: 10:23:31 AM  
 PLOT SCALE: 1"=20'-0"  
 PLOT SHEET: 10 OF 15  
 PLOT BY: BAK



**DETAILS**  
SCALE: NTS

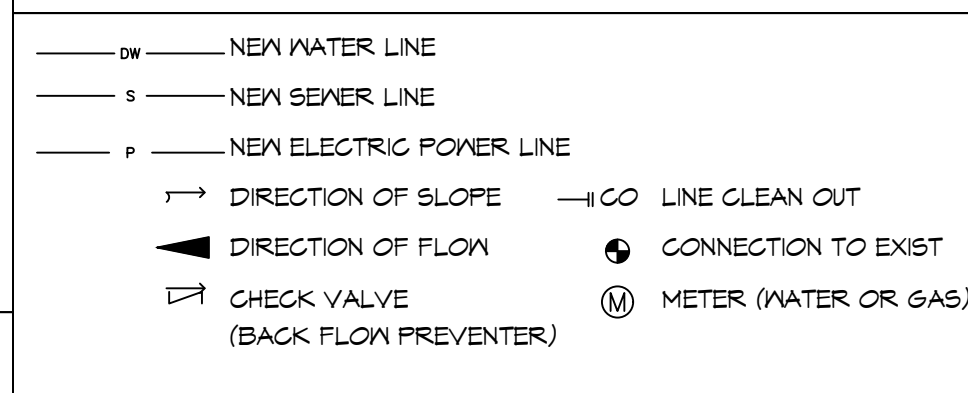
**SILT FENCE INSTALLATION**

1. THE BASE OF BOTH END POSTS MUST BE AT LEAST 2'-4" ABOVE THE TOP OF THE SILT FENCE FABRIC ON THE MIDDLE POSTS FOR DITCH CHECKS TO DRAIN PROPERLY. USE A HAND LEVEL OR STRING LEVEL, IF NECESSARY, TO MARK BASE POINTS BEFORE INSTALLATION.
2. INSTALL POSTS 3 - 4 FEET APART IN CRITICAL WATER RETENTION AREAS AND 6 - 7 FEET APART ON STANDARD APPLICATIONS.
3. INSTALL POSTS 24" DEEP ON THE DOWNSTREAM SIDE OF THE SILT FENCE, AND AS CLOSE AS POSSIBLE TO THE FABRIC, ENABLING POSTS TO SUPPORT THE FABRIC FROM UPSTREAM WATER PRESSURE.
4. INSTALL POSTS WITH THE NIPPLES FACING AWAY FROM THE SILT FENCE FABRIC.
5. ATTACH THE FABRIC TO EACH POST WITH THREE TIES. ALL SPACED WITHIN THE TOP 8" OF THE FABRIC. ATTACH EACH TIE DIAGONALLY 45° THROUGH THE FABRIC, WITH EACH PUNCTURE AT LEAST 1" VERTICALLY APART. ADDITIONALLY, EACH TIE SHOULD BE POSITIONED TO HANG ON A POST NIPPLE WHEN TIGHTENED TO PREVENT SAGGING.
6. WRAP APPROXIMATELY 6" OF FABRIC AROUND THE END POSTS AND SECURE WITH 3 TIES.
7. NO MORE THAN 24" OF A 36" FABRIC IS ALLOWED ABOVE GROUND LEVEL.
8. THE INSTALLATION SHOULD BE CHECKED AND CORRECTED FOR ANY DEVIATIONS BEFORE COMPACTION. USE A FLAT-BLADED SHOVEL TO TUCK FABRIC DEEPER INTO THE SILT IF NECESSARY.
9. COMPACTION IS VITALLY IMPORTANT FOR EFFECTIVE RESULTS. COMPACT THE SOIL IMMEDIATELY NEXT TO THE SILT FENCE FABRIC WITH THE FRONT WHEEL OF THE TRACTOR, SKID STEER, OR ROLLER EXERTING AT LEAST 60 PSI OF PRESSURE. COMPACT THE UPSTREAM SIDE FIRST, AND THEN EACH SIDE TWICE FOR A TOTAL OF FOUR TRIPS.
10. SILT FENCE SHALL BE PLACED ON SLOPE CONTOURS TO MAXIMIZE PONDING EFFICIENCY.
11. INSPECT AND REPAIR FENCE AFTER EACH STORM EVENT AND REMOVE SEDIMENT WHEN NECESSARY. NINE INCH MAXIMUM RECOMMENDED STORAGE HEIGHT.
12. REMOVED SEDIMENT SHALL BE DEPOSITED TO AN AREA THAT WILL NOT CONTRIBUTE SEDIMENT OFF-SITE AND CAN BE PERMANENTLY STABILIZED.

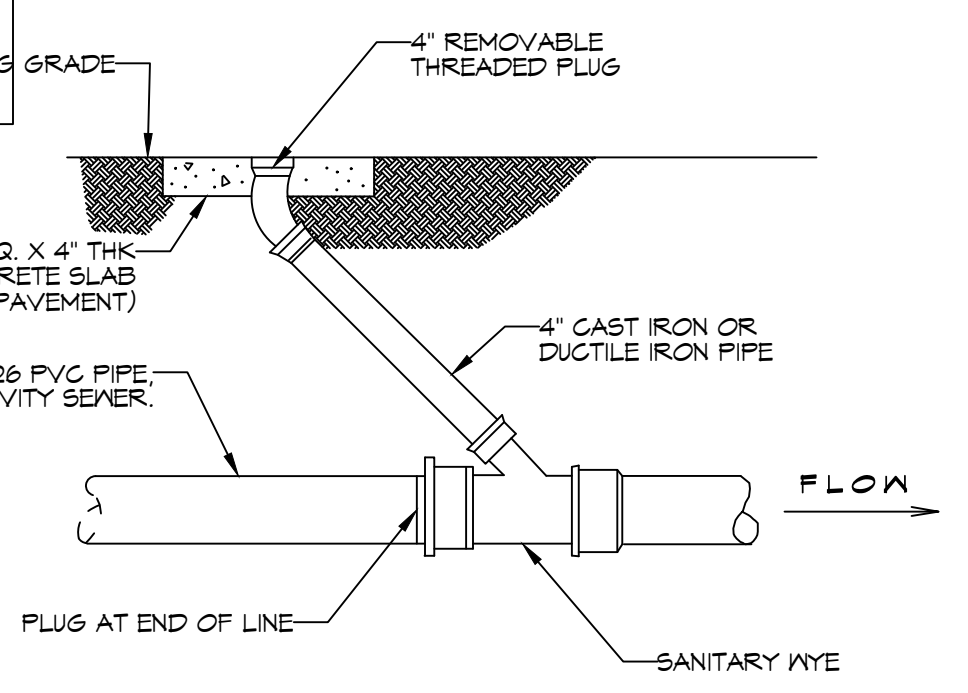
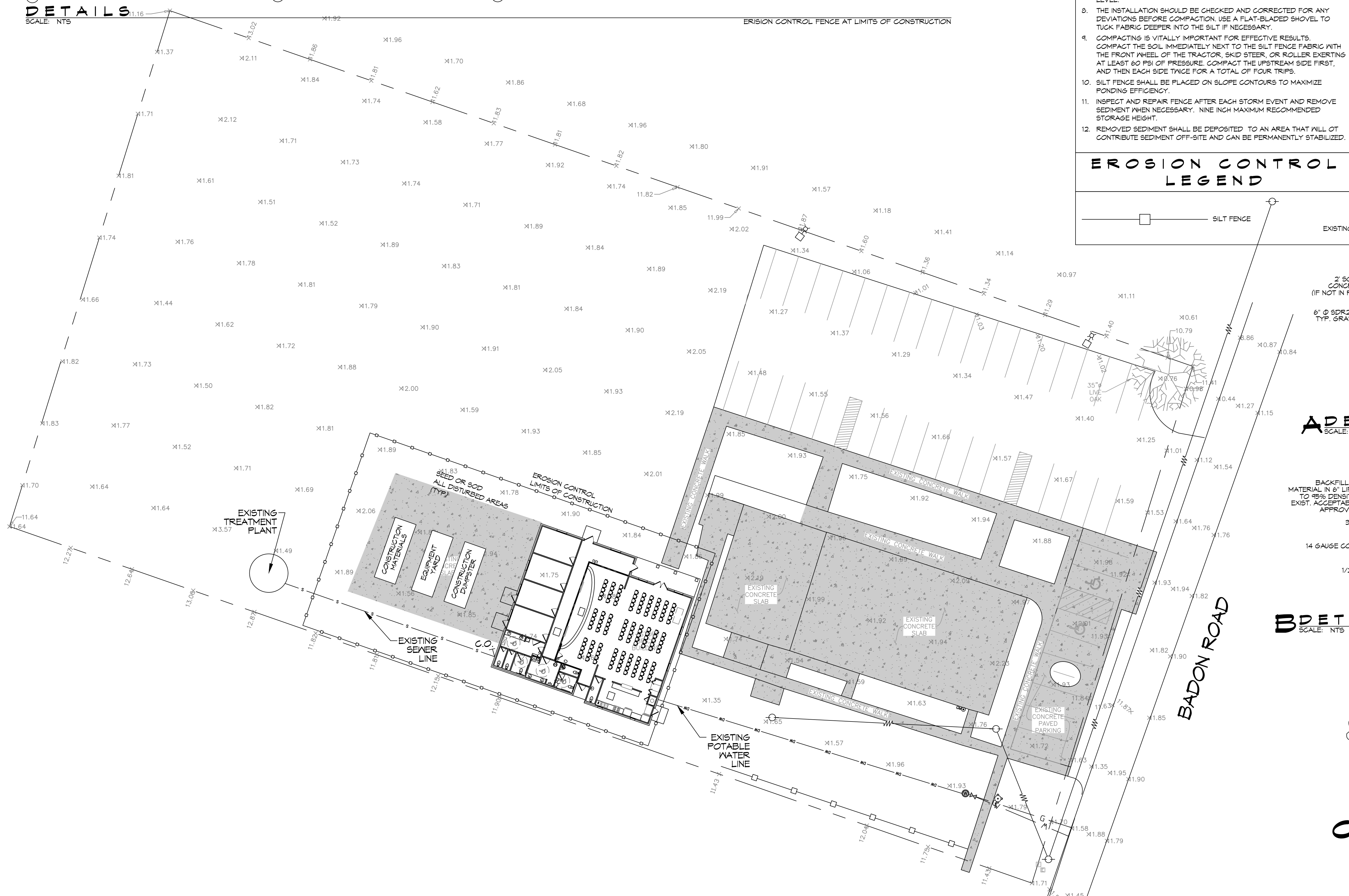
**GENERAL SITE UTILITIES NOTES**

1. ALL CONSTRUCTION SHALL COMPLY WITH CONTRACT SPECIFICATIONS AND APPLICABLE LOCAL, STATE, AND FEDERAL STANDARDS AND REGULATIONS.
2. CONSTRUCTION SHALL NOT INTERRUPT EXISTING UTILITIES.
3. ALL DISTURBED GROUND SHALL BE RESTORED IN KIND TO A CONDITION EQUAL TO OR BETTER THAN ORIGINALLY FOUND.
4. SOIL EROSION CONTROL SHALL BE IN ACCORDANCE WITH THESE DOCUMENTS.
5. PROTECT EXISTING UTILITY LINES FROM DAMAGE. FOLLOW INDIVIDUAL UTILITY'S RECOMMENDATIONS FOR UTILITY LINE PROTECTION.
6. CONTRACTOR SHALL IMMEDIATELY REPORT ALL DAMAGE TO UTILITY LINES TO BOTH UTILITY COMPANY AND ENGINEER.
7. ALL DAMAGE CAUSED TO EXISTING UTILITY LINES BY CONTRACTOR'S OPERATIONS SHALL BE REPAIRED BY THE CONTRACTOR TO COMPLETE SATISFACTION OF THE UTILITY COMPANY AND ENGINEER.
8. LOCATION OF EXISTING UTILITIES IS APPROXIMATE. CONTRACTOR SHALL FIELD VERIFY EXACT LOCATIONS.
9. CONTRACTOR IS RESPONSIBLE FOR CUT AND CAP OF EXISTING UTILITIES PRIOR TO ANY DEMOLITION.
10. CONTRACTOR SHALL CONTACT LOUISIANA ONE CALL PRIOR TO COMMENCEMENT OF SITE EXCAVATION.
11. THE CONTRACTOR SHALL CONTACT RESOLVE SYSTEMS, INC FOR EXACT LOCATION OF TIE-IN FOR UTILITIES.
12. THE CONTRACTOR SHALL CONTACT GLECO FOR POWER CONNECTION.

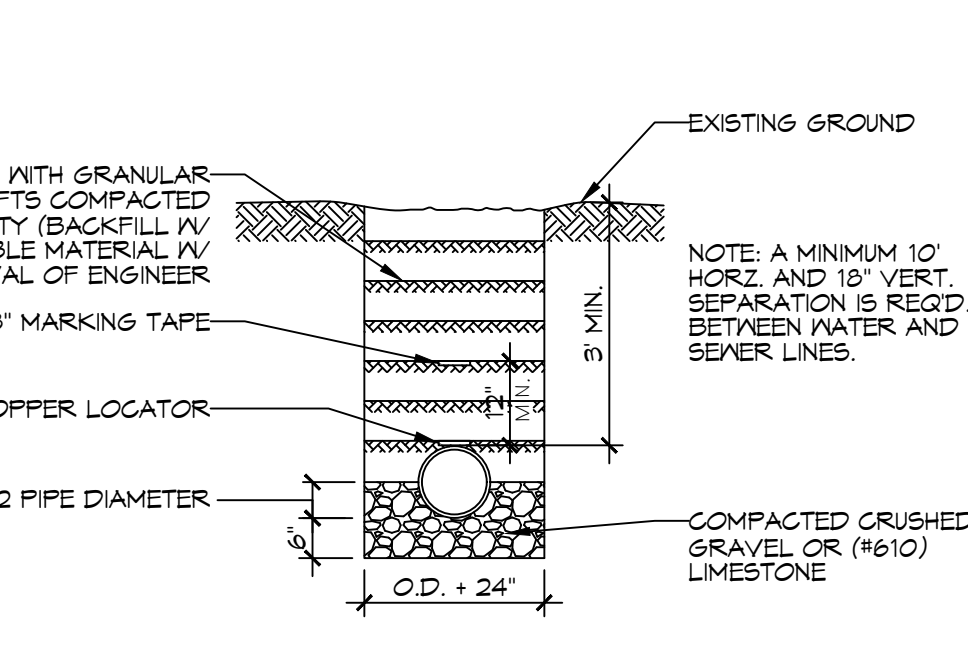
**SITE UTILITIES LEGEND**



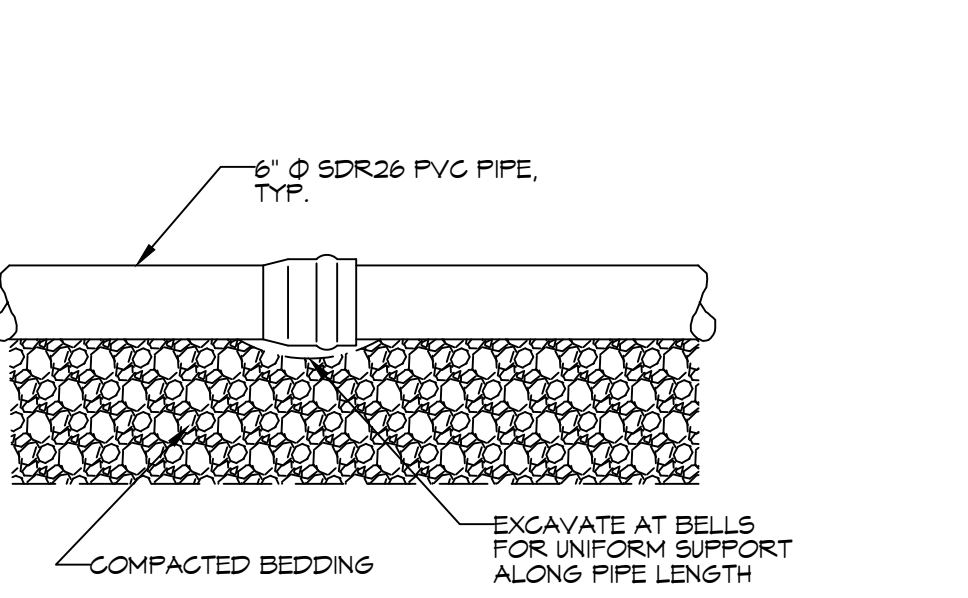
**EROSION CONTROL LEGEND**



**DETAIL A**  
SCALE: NTS  
THROUGH FLOW CLEAN OUT DETAIL



**DETAIL B**  
SCALE: NTS  
PIPE BEDDING DETAIL FOR SEWER AND WATER



**DETAIL C**  
SCALE: NTS  
SERVICE LATERAL DETAIL

**DAMMON ENGINEERING, INC.**  
LOUISIANA & MISSISSIPPI

www.dammonengineering.com  
info@dammonengineering.com  
554 Old Spanish Trail  
Slidell, LA 70458  
Chief Engineer: Brian Mistich, PE  
Drawn: BAK

#	DESCRIPTION	DATE



**COMPTON JUSTICE ARCH**

54415 BADON RD  
SLIDELL, LA 70460

JOB No: 2463 DATE: 10/20/23 CHECKED BY: CND  
DRAWN BY: BAK

SHEET TITLE:  
SITE UTILITIES PLAN

DRAWING NUMBER:  
**C103**

SHEET No: 5 of 15





**TABLE S102.7 - HEADER SPANS FOR INTERIOR LOAD-BEARING WALLS**

HEADERS SUPPORTING	SIZE	DROPPED HEADER			RAISED HEADER		
		BUILDING WIDTH (FT.)			BUILDING WIDTH (FT.)		
		12	24	36	12	24	36
ONE FLOOR ONLY (SINGLE CENTER BEARING WALL)	(2) 2x4	4'-0"	2'-10"	2'-4"	4'-1"	2'-10"	2'-4"
	(2) 2x6	5'-11"	4'-3"	3'-5"	6'-1"	4'-4"	3'-6"
	(2) 2x8	7'-1"	5'-2"	4'-4"	7'-4"	5'-5"	4'-5"
	(2) 2x10	7'-11"	6'-0"	5'-0"	9'-2"	6'-6"	5'-3"
	(2) 2x12	8'-6"	6'-7"	5'-7"	10'-4"	7'-7"	6'-3"
	(3) 2x8	8'-5"	6'-4"	5'-3"	9'-8"	6'-10"	5'-7"
	(3) 2x10	9'-3"	7'-1'-9"	6'-0"	11'-5"	8'-11"	6'-7"
	(3) 2x12	9'-11"	7'-8"	6'-7"	13'-6"	9'-6"	7'-4"
	(4) 2x8	9'-5"	7'-2"	6'-0"	11'-2"	7'-11"	6'-5"
	(4) 2x10	10'-3"	7'-11"	6'-4"	13'-3"	9'-4"	7'-8"
(4) 2x12	11'-0"	8'-7"	7'-4"	15'-7"	11'-0"	9'-0"	

**TABLE S102.8 - HEADER SPANS FOR EXTERIOR LOAD-BEARING WALLS RESISTING WIND LOADS EXP "B"**

SIZE	120 MPH	130 MPH	140 MPH	150 MPH	160 MPH	170 MPH	180 MPH	195 MPH
(2) 2x4	5'-1"	4'-8"	4'-4"	4'-1"	3'-10"	3'-7"	3'-5"	3'-2"
(2) 2x6	6'-3"	5'-9"	5'-4"	5'-0"	4'-8"	4'-5"	4'-2"	3'-10"
(2) 2x8	6'-10"	6'-4"	5'-11"	5'-6"	5'-2"	4'-10"	4'-7"	4'-3"
(2) 2x10	7'-4"	6'-10"	6'-4"	5'-11"	5'-6"	5'-2"	4'-11"	4'-6"
(2) 2x12	7'-10"	7'-3"	6'-4"	6'-3"	5'-11"	5'-7"	5'-3"	4'-10"
(3) 2x8	8'-5"	7'-4"	7'-2"	6'-4"	6'-4"	5'-11"	5'-7"	5'-2"
(3) 2x10	9'-0"	8'-4"	7'-4"	7'-3"	6'-4"	6'-4"	5'-7"	5'-7"
(3) 2x12	9'-7"	8'-11"	8'-3"	7'-8"	7'-3"	6'-10"	6'-5"	5'-11"
(4) 2x8	9'-8"	9'-0"	8'-4"	7'-4"	7'-3"	6'-10"	6'-6"	6'-0"
(4) 2x10	10'-5"	9'-7"	8'-11"	8'-4"	7'-10"	7'-4"	6'-11"	6'-5"
(4) 2x12	11'-7"	11'-1"	10'-3"	9'-6"	8'-11"	8'-4"	7'-10"	6'-10"

**TABLE S102.9 - SILL OR BOTTOM PLATE TO FOUNDATION CONNECTIONS RESISTING UPLIFT LOADS - 130 MPH WIND EXP "B"**

BOTTOM PLATE TO FOUNDATION ANCHOR BOLT CONNECTION RESISTING	FOUNDATION SUPPORTING	MAXIMUM ANCHOR BOLT SPACING (INCHES)		
		8' END ZONES	INTERIOR ZONES	
UPLIFT LOADS	1 - 3 STORIES	50 INCHES ON CENTER	50 INCHES ON CENTER	

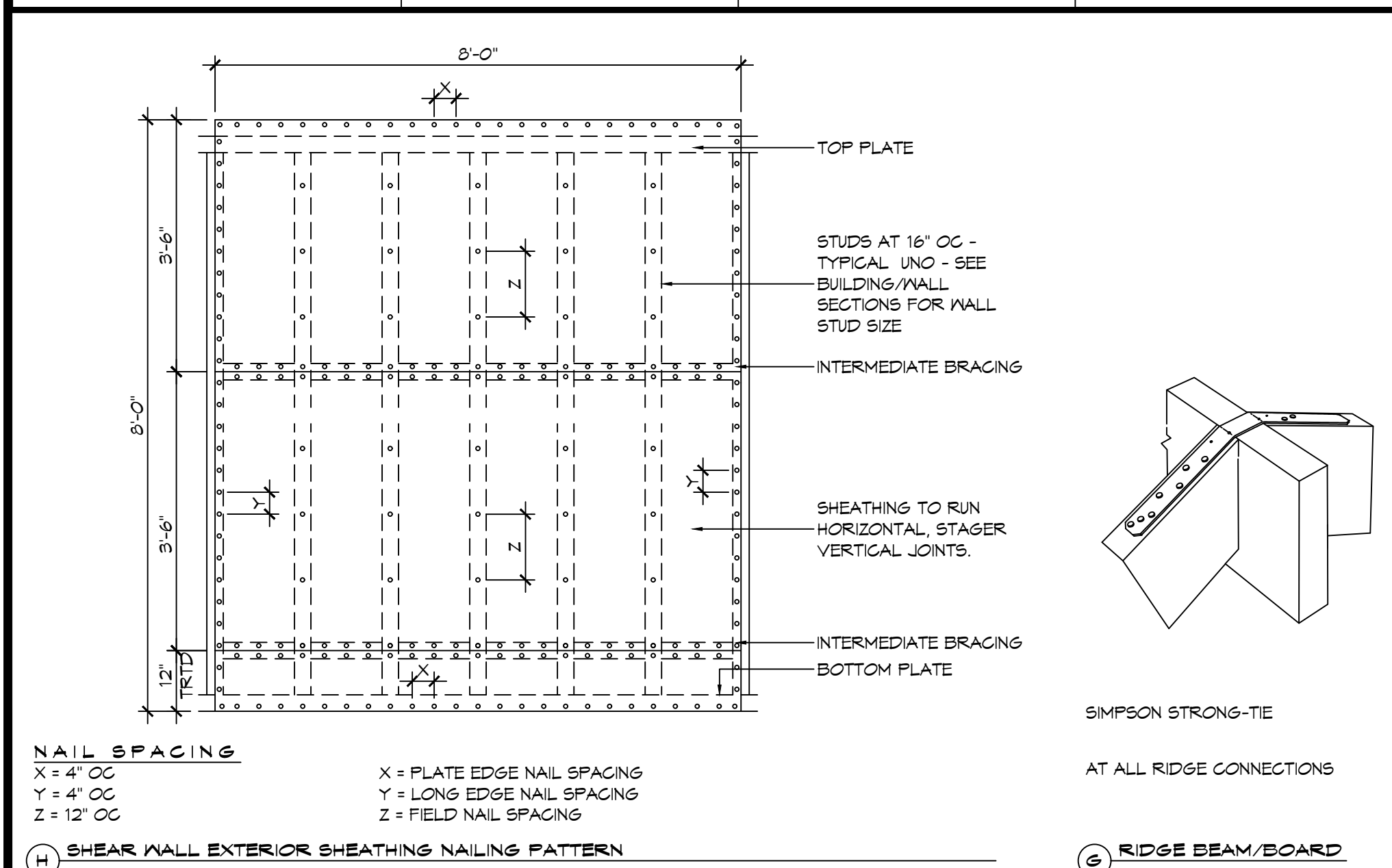
NOTE: A MINIMUM OF ONE ANCHOR BOLT SHALL BE PROVIDED WITHIN 6 TO 12 INCHES OF EACH END OF EACH PLATE.

**TABLE S102.10 - BOTTOM PLATE TO FOUNDATION CONNECTIONS (ANCHOR BOLTS) RESISTING LATERAL & SHEAR LOADS - EXP "B"**

BOTTOM PLATE TO FOUNDATION ANCHOR BOLT CONNECTION RESISTING	FOUNDATION SUPPORTING	MAXIMUM ANCHOR BOLT SPACING (INCHES)	
		1/2" Ø ANCHOR BOLTS	5/8" Ø ANCHOR BOLTS
UPLIFT LOADS	1 STORY	31 INCHES ON CENTER	48 INCHES ON CENTER

**TABLE S102.11 - FULL HEIGHT STUD REQUIREMENT FOR HEADERS OR WINDOW SILL PLATES IN EXTERIOR WALLS EXP "B"**

HEADER SPAN (FEET)	WALL STUD SPACING (INCHES)		
	12" O.C.	16" O.C.	24" O.C.
2	1	1	1
4	2	2	1
6	3	3	2
8	4	3	2
10	5	4	3
12	6	5	3
14	7	6	4
16	8	6	4



**TYPICAL CONNECTION DETAILS**  
SCALE: NTS

**TABLE S102.5 - JACK STUD REQ - INT LOADBEARING WALLS**

HEADER SUPPORTING	HEADER SPAN (FT)	ROOF SPAN (FEET)											
		12 FEET			24 FEET			36 FEET					
		NUMBER OF JACK STUDS REQUIRED AT EACH END OF THE HEADER											
ONE FLOOR ONLY (CENTER BEARING)	2	1	1	1	1	1	1	1	1	1	1	1	1
	4	1	1	1	1	1	1	1	1	1	1	1	1
	6	1	1	1	1	1	1	1	1	1	1	1	1
	8	1	1	1	1	2	1	1	1	2	2	2	1
	10	1	1	1	1	2	2	1	1	3	2	2	2
	12	1	1	1	1	2	2	2	1	3	2	2	2
TWO FLOORS (CENTER BEARING)	2	1	1	1	1	1	1	1	1	1	1	1	1
	4	1	1	1	1	2	1	1	1	3	2	2	2
	6	2	1	1	1	3	2	2	2	4	3	3	2
	8	2	2	1	1	3	2	2	2	5	3	3	2
	10	2	2	2	1	4	3	3	2	6	4	4	3
	12	3	2	2	2	5	3	3	3	7	5	4	4
	14	3	2	2	2	6	4	4	3	8	5	5	4
	16	4	3	2	2	6	4	4	3	9	6	6	5

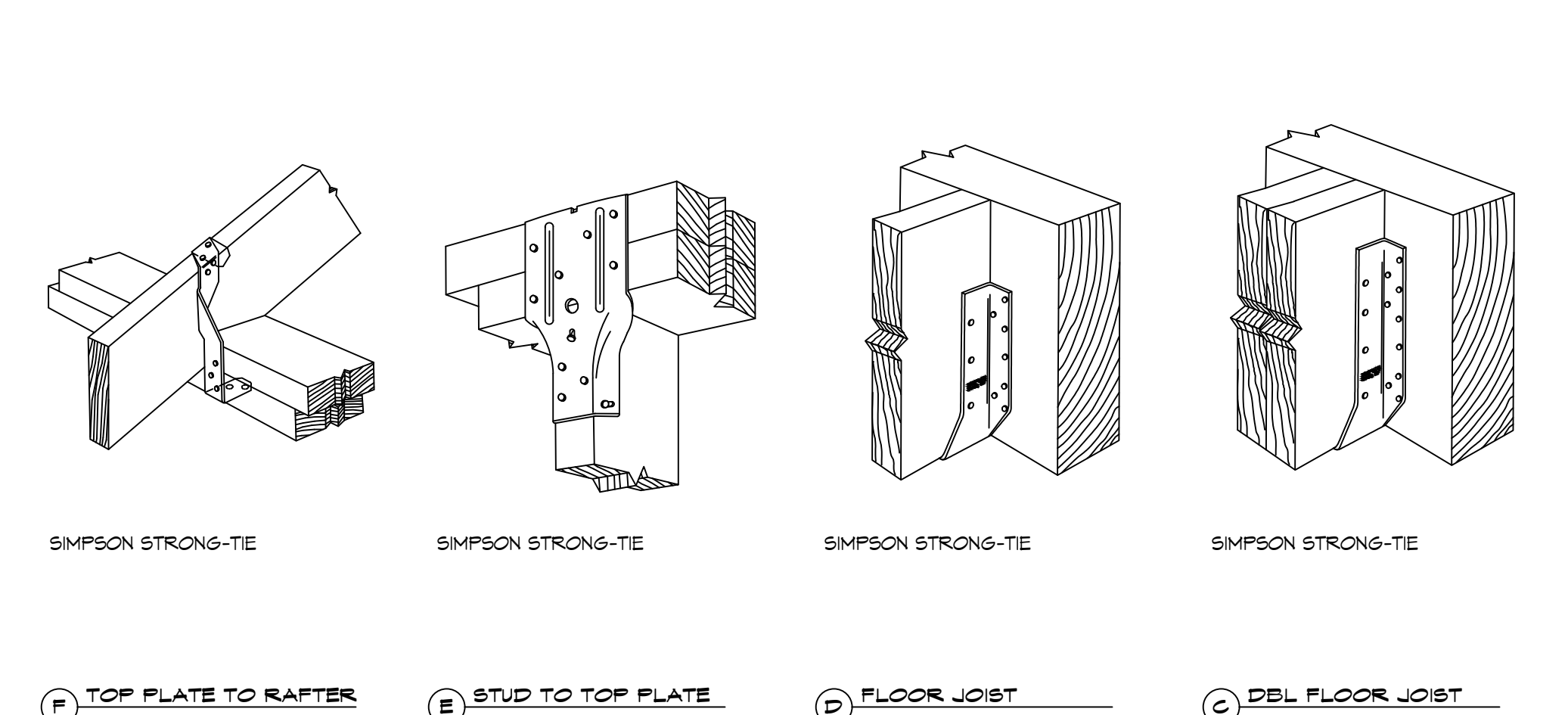
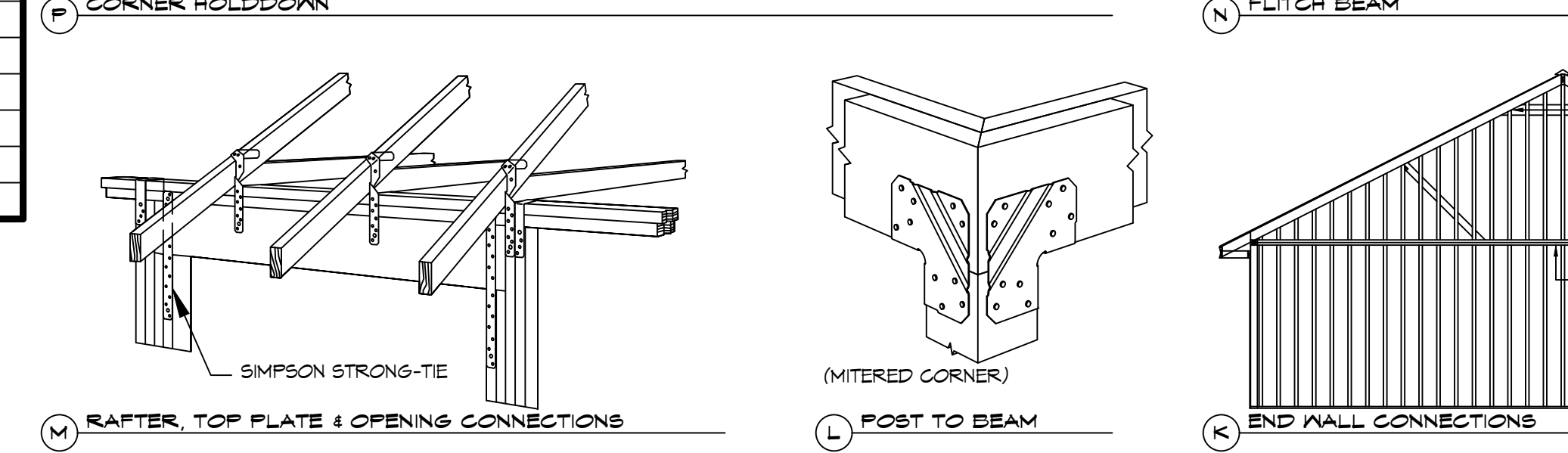
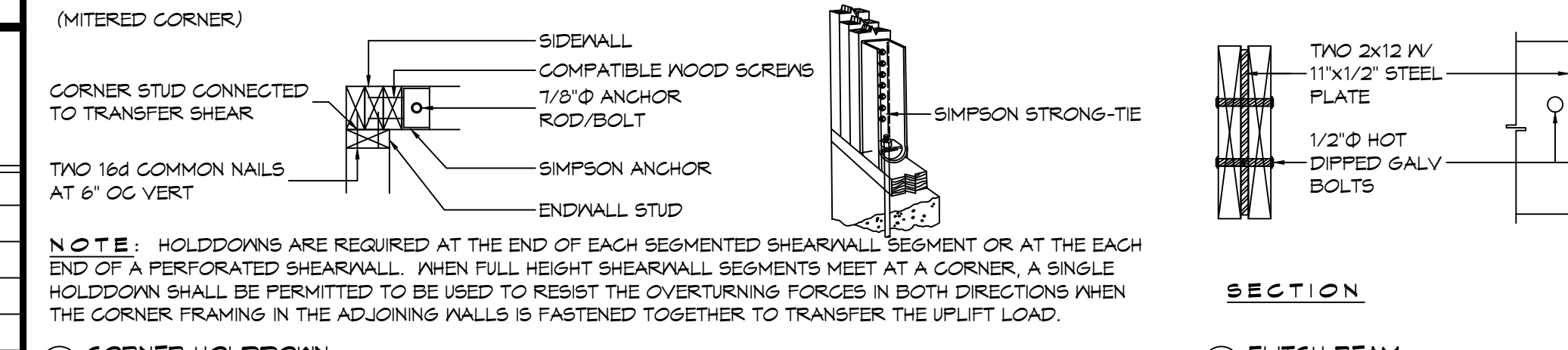
HEADER WIDTH - 3" (2-2X), 4.5" (3-2X), 5", 6.5" (4-2X) EACH 1/2" PLYWOOD SPACER BETWEEN

**TABLE S102.6 - JACK STUD REQ - EXTERIOR LOADBEARING WALLS**

HEADER SUPPORTING	HEADER SPAN (FT)	ROOF LIVE LOAD 20 PSF				GROUND SNOW LOAD 30 PSF					
		NUMBER OF JACK STUDS REQUIRED									
		3"	4.5"	5"	6"	3"	4.5"	5"	6"		
ROOF AND CEILING	2	1	1	1	1	1	1	1	1	1	1
	4	1	1	1	1	1	1	1	1	1	1
	6	2	1	1	1	1	2	1	1	1	1
	8	2	2	2	2	1	2	2	2	1	1
	10	3	2	2	2	2	3	2	2	2	2
	12	3	2	2	2	2	3	2	2	2	2
	14	4	3	2	2	2	4	3	2	2	2
	16	4	3	3	2	2	4	3	3	2	2
	2	1	1	1	1	1	1	1	1	1	1
	4	2	1	1	1	1	2	1	1	1	1
6	2	2	2	2	1	3	2	2	2	2	
8	3	2	2	2	2	3	2	2	2	2	
10	4	3	2	2	2	4	3	3	2	2	
12	4	3	3	2	2	5	3	3	3	3	
14	5	4	3	3	3	5	4	3	3	3	
16	6	4	4	3	3	6	4	4	3	3	

HEADER WIDTH - 3" (2-2X), 4.5" (3-2X), 5", 6" (4-2X) EACH 1/2" PLYWOOD SPACER BETWEEN

(MITERED CORNER)  
 CORNER STUD CONNECTED TO TRANSFER SHEAR  
 TWO 16d COMMON NAILS AT 6" OC VERT  
 SIDEWALL COMPATIBLE WOOD SCREWS  
 1/8" Ø ANCHOR ROD/BOLT  
 SIMPSON STRONG-TIE  
 SIMPSON ANCHOR  
 ENDWALL STUD



**TYPICAL CONNECTION DETAILS**

**TABLE S102.3 - NAILING SCHEDULE**

DESCRIPTION	NUMBER OF COMMON NAILS	NUMBER OF BOX NAILS	SPACING
<b>WALL FRAMING</b>			
TOP PLATE TO TOP PLATE (FACE NAILED)	2-16d	2-16d	PER FOOT
TOP PLATE AT INTERSECTION (FACE)	4-16d	5-16d	JOINTS - EACH SIDE
STUD TO STUD (FACE-NAILED)	2-16d	2-16d	24" O.C.
HEADER TO HEADER (FACE NAILED)	16d	16d	16" O.C. EDGES
TOP OR BOTTOM PLATE TO STUD (END)	SEE TABLE	SEE TABLE	PER STUD
BOTTOM PLATE TO FLOOR JOIST, BANDJOIST, END JOIST OR BLOCKING	2-16d	2-16d	PER FOOT
<b>ROOF SHEATHING</b>			
WOOD STRUCTURAL PANELS	8d	10d	SEE TABLE S102.1
DIAGONAL BOARD SHEATHING	1x6" OR 1x8"	2-8d	2-10d PER SUPPORT
1'X10" OR WIDER	3-8d	3-10d	PER SUPPORT

**TABLE S102.4 - BUILDING ENVELOPE REQUIREMENTS**

OPaque ELEMENTS	ASSEMBLY MAXIMUM	INSULATION MIN. R-VALUE
<b>ROOFS</b>		
INSULATION ENTIRELY ABOVE DECK	U-0.048	R-20.0 c.i.
METAL BUILDING	U-0.065	R-19
ATTIC AND OTHER	U-0.027	R-30
MASS	U-0.151 @	R-5.7 c.i. @
<b>WALLS, ABOVE GRADE</b>		
METAL BUILDING	U-0.113	R-13.0
STEEL-FRAMED	U-0.124	R-13.0
WOOD-FRAMED AND OTHER	U-0.089	R-13.0
<b>FLOORS</b>		
MASS	U-0.107	R6-3 c.i.
STEEL JOIST	U-0.052	R-19.0
WOOD FRAMED AND OTHER	U-0.051	R-19.0
<b>SLAB-ON-GRADE</b>		
UN-HEATED	F-0.730	NR
<b>OPaque DOORS</b>		
SPRINGING	U-0.700	NR
NON-SPRINGING	U-1.450	NR

c.i. = CONTINUOUS INSULATION; NR = NO INSULATION REQUIREMENT  
 @ = EXCEPTION APPLIES

ROOF ASSEMBLY TO WALL ASSEMBLY:  
 UPLIFT CONNECTIONS SHALL BE FROM RAFTER OR TRUSS TO WALL STUD. WHEN RAFTERS OR TRUSSES ARE NOT LOCATED DIRECTLY ABOVE STUDS, RAFTERS SHALL BE ATTACHED TO THE WALL PLATE AND THE WALL TOP PLATE SHALL BE ATTACHED TO THE WALL STUD WITH UPLIFT CONNECTIONS. UPLIFT CONNECTIONS SHALL BE IN ACCORDANCE WITH TABLE S102.10.

WALL ASSEMBLY TO WALL ASSEMBLY:  
 STORY TO STORY UPLIFT CONNECTIONS FROM UPPER STORY WALL STUD TO LOWER STORY WALL STUD. WHEN UPPER STORY WALL STUDS ARE NOT LOCATED DIRECTLY ABOVE LOWER WALL STUDS, THE STUDS SHALL BE ATTACHED TO A COMMON MEMBER IN THE FLOOR ASSEMBLY BY UPLIFT CONNECTIONS. UPLIFT CONNECTIONS SHALL BE IN ACCORDANCE WITH TABLE S102.11.

WALL ASSEMBLY TO FOUNDATION:  
 FIRST FLOOR WALL STUDS SHALL BE CONNECTED TO THE FOUNDATION, SILL, PLATE, OR BOTTOM PLATE. A MINIMUM OF A 1-1/4" x 20 GA. ASTM A653 GRADE 33 STEEL STRAP SHALL BE NAILED TO THE WALL STUDS AND HAVE A MINIMUM EMBEDMENT OF 1 INCHES IN CONCRETE FOUNDATIONS AND SLABS-ON-GRADE, 15 INCHES IN MASONRY BLOCK FOUNDATIONS, OR BE LAPPED UNDER THE BOTTOM PLATE, 3 INCH SQUARE WASHERS SHALL BE USED ON THE ANCHOR BOLTS AND ANCHOR BOLT SPACINGS SHALL NOT EXCEED THE REQUIREMENTS. STEEL STRAPS EMBEDDED IN OR IN CONTACT WITH SLAB-ON-GRADE OR MASONRY BLOCK FOUNDATIONS SHALL BE HOT-DIPPED GALV. AFTER FABRICATION, OR MANUF. FROM #105 OR #450 GALV. STL. CONNECTIONS SHALL BE IN ACCORDANCE WITH TABLE S102.12.

**TABLE S102.1 - ROOF SHEATHING OR CLADDING REQUIREMENT - 130 MPH WIND LOAD EXP "B"**

SHEATHING LOCATION	RAFTER / TRUSS SPACING	MAX NAIL SPACING FOR 8d COMMON NAILS OR 10d BOX NAILS (INCHES OC)	
		E	F
INTERIOR ZONE	12" OC	6	12
	16" OC	6	12
	24" OC	6	12
PERIMETER EDGE ZONE	12" OC	6	12
	16" OC	6	12
	24" OC	6	6

130 MPH WIND - EXPOSURE 'C' TYPICAL  
 E = NAIL SPACING AT PANEL EDGES, INCHES.  
 F = NAIL SPACING AT INTERMEDIATE SUPPORTS IN THE PANEL FIELD, INCHES.

**TABLE S102.2 - WALL SHEATHING OR CLADDING REQUIREMENT - 130 MPH WIND LOAD EXP "B"**

SHEATHING LOCATION	STUD SPACING	MAX NAIL SPACING FOR 8d COMMON NAILS OR 10d BOX NAILS (INCHES OC)	
		E	F
INTERIOR ZONE	12" OC	6	12
	16" OC	6	12
	24" OC	6	12
PERIMETER EDGE ZONE	12" OC	6	12
	16" OC	6	12
	24" OC	6	12

130 MPH WIND - EXPOSURE 'B' TYPICAL  
 E = NAIL SPACING AT PANEL EDGES, INCHES.  
 F = NAIL SPACING AT INTERMEDIATE SUPPORTS IN THE PANEL FIELD, INCHES.

**TYPICAL CONNECTION DETAILS, SCHEDULES, AND NOTES**

**ROOF UNDERLAYMENT NOTES**

- FOR ROOF SLOPES FROM TWO UNITS VERTICAL IN 12 UNITS HORIZONTAL (17-PERCENT SLOPE), UP TO FOUR UNITS VERTICAL IN 12 UNITS HORIZONTAL (33-PERCENT SLOPE), UNDERLAYMENT SHALL BE TWO LAYERS APPLIED IN THE FOLLOWING MANNER:
  - APPLY A 19 INCH STRIP OF UNDERLAYMENT FELT PARALLEL WITH AND STARTING AT THE EAVES, FASTENED SUFFICIENTLY TO HOLD IN PLACE. STARTING AT THE EAVE, APPLY 36 INCH WIDE SHEETS OF UNDERLAYMENT, OVERLAPPING SUCCESSIVE SHEETS 14 INCHES, AND FASTENED SUFFICIENTLY TO HOLD IN PLACE.
- FOR ROOF SLOPES OF FOUR UNITS VERTICAL IN 12 UNITS HORIZONTAL (33-PERCENT SLOPE) OR GREATER, UNDERLAYMENT SHALL BE ONE LAYER APPLIED IN THE FOLLOWING MANNER:
  - UNDERLAYMENT SHALL BE APPLIED SHINGLE FASHION, PARALLEL TO AND STARTING FROM THE EAVE AND OFFSET 2 INCHES, FASTENED SUFFICIENTLY TO HOLD IN PLACE. END LAPS SHALL BE OFFSET BY 6 FEET.

**SHINGLE APPLICATION & FASTENING NOTES**

- ASPHALT STRIP SHINGLES SHALL HAVE A MINIMUM OF SIX FASTENERS PER SHINGLE WHERE THE ROOF IS IN ONE OF THE FOLLOWING CATEGORIES:
  - THE BASIC WIND SPEED IS 110 MPH OR GREATER AND THE EAVE IS 20 FEET OR HIGHER ABOVE GRADE.
  - THE BASIC WIND SPEED IS 120 MPH OR GREATER.
  - SPECIAL WIND ZONES.

**GENERAL UPLIFT CONNECTION NOTES**

ROOF ASSEMBLY TO WALL ASSEMBLY:  
 UPLIFT CONNECTIONS SHALL BE FROM RAFTER OR TRUSS TO WALL STUD. WHEN RAFTERS OR TRUSSES ARE NOT LOCATED DIRECTLY ABOVE STUDS, RAFTERS SHALL BE ATTACHED TO THE WALL PLATE AND THE WALL TOP PLATE SHALL BE ATTACHED TO THE WALL STUD WITH UPLIFT CONNECTIONS. UPLIFT CONNECTIONS SHALL BE IN ACCORDANCE WITH TABLE S102.10.

WALL ASSEMBLY TO WALL ASSEMBLY:  
 STORY TO STORY UPLIFT CONNECTIONS FROM UPPER STORY WALL STUD TO LOWER STORY WALL STUD. WHEN UPPER STORY WALL STUDS ARE NOT LOCATED DIRECTLY ABOVE LOWER WALL STUDS, THE STUDS SHALL BE ATTACHED TO A COMMON MEMBER IN THE FLOOR ASSEMBLY BY UPLIFT CONNECTIONS. UPLIFT CONNECTIONS SHALL BE IN ACCORDANCE WITH TABLE S102.11.

WALL ASSEMBLY TO FOUNDATION:  
 FIRST FLOOR WALL STUDS SHALL BE CONNECTED TO THE FOUNDATION, SILL, PLATE, OR BOTTOM PLATE. A MINIMUM OF A 1-1/4" x 20 GA. ASTM A653 GRADE 33 STEEL STRAP SHALL BE NAILED TO THE WALL STUDS AND HAVE A MINIMUM EMBEDMENT OF 1 INCHES IN CONCRETE FOUNDATIONS AND SLABS-ON-GRADE, 15 INCHES IN MASONRY BLOCK FOUNDATIONS, OR BE LAPPED UNDER THE BOTTOM PLATE, 3 INCH SQUARE WASHERS SHALL BE USED ON THE ANCHOR BOLTS AND ANCHOR BOLT SPACINGS SHALL NOT EXCEED THE REQUIREMENTS. STEEL STRAPS EMBEDDED IN OR IN CONTACT WITH SLAB-ON-GRADE OR MASONRY BLOCK FOUNDATIONS SHALL BE HOT-DIPPED GALV. AFTER FABRICATION, OR MANUF. FROM #105 OR #450 GALV. STL. CONNECTIONS SHALL BE IN ACCORDANCE WITH TABLE S102.12.

**REVISIONS**

#	DESCRIPTION	DATE

**STATE OF LOUISIANA**  
**BRUN A. MISTICH**  
 PROFESSIONAL ENGINEER  
 LICENSE NO. 31817

**COMPTON CONSULTANTS**

5419 BALCON RD.  
 SUITE 100  
 SUDBURY, LA 70460

JOB NO: 2493 DATE: 10/10/2023  
 DRAWN BY: D/D/K/LK CHECKED BY: BAW

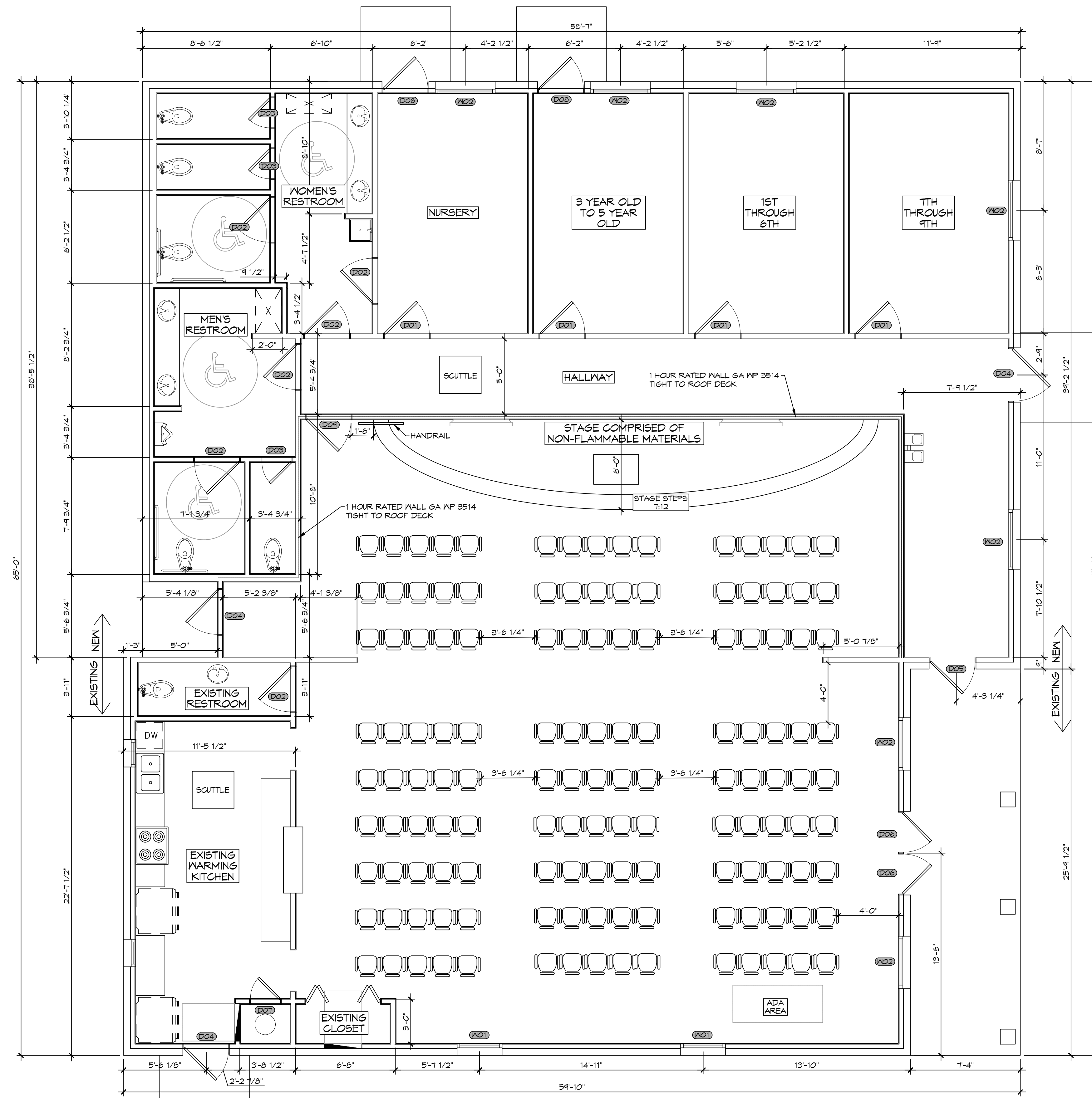
SHEET TITLE:  
 TYPICAL CONNECTION DETAILS, SCHEDULES, AND NOTES

DRAWING NUMBER:  
**S103**

SHEET No: 8 of 15

**DAMMON ENGINEERING, INC.**  
 LOUISIANA & MISSISSIPPI

Chief Engineer: Brian Mistich, PE  
 554 Old Spanish Trail  
 Slidell, LA 70458  
 www.dammonengineering.com  
 info@dammonengineering.com  
 PH: 985.649.5832 F: 985.641.5950



**13 FLOOR PLAN**  
SCALE: 1/4"=1'-0"

**GENERAL NOTES**

1. INSULATION AND INSULATION ASSEMBLIES SHALL MEET THE REQUIREMENTS OF SECTION 719.
  - A. CONCEALED INSULATION SHALL HAVE A FLAME SPREAD OF 0-25 AND SMOKE DEVELOPED INDEX OF 0-450. EXCEPT THAT IN COMBUSTIBLE (WOOD FRAME) CONSTRUCTION.
  - B. FACINGS SHALL COMPLY WITH IBC 2006.
2. PROVIDE 5x5' LANDINGS, LEVEL WITH FINISHED FLOOR, OUTSIDE EXTERIOR DOORS. THRESHOLDS SHALL BE NOT MORE THAN 1/2" IN HEIGHT AND SHALL BE BEVELED IF MORE THAN 1/4".
3. DIMENSIONS ARE TO CENTERLINE, FACE OF STUDS, CENTER OF COLUMNS, OR FACE OF VENEER.
4. CONTRACTOR TO VERIFY ALL SITE CONDITIONS, BUILDING LOCATIONS, AND DIMENSIONS PRIOR TO CONSTRUCTION.
5. MATERIALS SHALL BE NEW AND U.L. LISTED.
6. NO WORK SHALL BE CONCEALED UNTIL APPROVED BY LOCAL INSPECTORS.
7. CONSTRUCTION SHALL COMPLY WITH ALL PARISH, STATE, AND LOCAL CODES.
8. CONTRACTOR TO GUARANTEE WORK FOR ONE YEAR.
9. CONTRACTOR SHALL FURNISH WATER AND POWER FROM EXISTING SOURCES.
10. EXTERIOR CAULK SHALL BE DOW CORNING 790 SILICONE. INSTALL IN ACCORDANCE WITH MANUFACTURER RECOMMENDATIONS. COORDINATE WITH ARCHITECT/OWNER AS TO COLOR. INTERIOR CAULKING TO BE EQUAL TO DAP PAINTABLE LATEX WITH SILICONE.
11. PAINT GRADE TO SHALL BE SHERWIN WILLIAMS OR EQUIVALENT. ALL WORK TO RECEIVE 3 COATS. COLOR SELECTION BY OWNER.
12. PROVIDE CLEANUP ON A REGULAR BASIS. NO TRASH STORED IN BUILDING.
13. ALL BATT INSULATION SHALL HAVE A CLASS "A" (0-25) FLAME SPREAD IN COMPLIANCE WITH APPLICABLE CODE.
14. USE 8" STUDS, OR 4" STAGGERED STUDS AT ALL PLUMBING WALLS.
15. PROVIDE GALVANIZED METAL PAN WITH DRAIN AT WATER HEATER LOCATION.
16. ALL CORNERS SHALL BE PROPERLY BRACED FOR WIND LOADS. A 48" SHEATHING SHALL BE PROVIDED EVERY 20 FEET OF WALL LENGTH.
17. FLOORING SHALL BE NON-SLIP.
18. INTERIOR LOCKS ON DOORS IN MEANS OF EGRESS SHALL NOT REQUIRE THE USE OF A KEY, SPECIAL KNOWLEDGE, OR SPECIAL DEVICE TO OPEN IN THE DIRECTION OF EGRESS. ALL DOORS SHALL HAVE LEVER TYPE HANDLES.
19. INTERIOR WALLS AND CEILING SHALL HAVE A FLAME SPREAD OF 0-200 AND A SMOKE DEVELOPMENT RATING OF 0-450.
20. ALL WORK SHALL COMPLY WITH THE LATEST EDITION OF ALL LOCAL, STATE, AND NATIONAL CODES COVERING THE TYPE OF WORK BEING PERFORMED.
21. PROVIDE PORTABLE FIRE EXTINGUISHERS IN ACCORDANCE WITH NFPA 101. SEE APPENDIX "E" OF NFPA 101 FOR DISTRIBUTION OF EXTINGUISHERS.
22. ALL FIRE WALLS SHALL EXTEND TIGHT TO ROOF SHEATHING, AND BE SEALED WITH AN APPROVED FIRE CAULK.
23. ALL ELECTRICAL, MECHANICAL, AND PLUMBING MATERIALS PENETRATING FIRE WALLS SHALL BE FIRE CAULKED. (PENETRATIONS THROUGH RATED CONSTRUCTION SHALL BE SEALED WITH A MATERIAL CAPABLE OF PREVENTING THE PASSAGE OF FLAMES AND HOT GASES WHEN TESTED IN ACCORDANCE WITH ASTM-E814.)
24. SERVICE COUNTER SHALL HAVE A HCP ACCESSIBLE WRITING SURFACE, MAX. 36" FROM F.F. (ADAAS MANUAL 1998, PG 135)

**DOOR SCHEDULE**

MK	WIDTH	HEIGHT	THK	DOOR MAT	FRAME	FR	REMARKS
D01	3'-0"	6'-8"	1-3/4"	WOOD	STEEL	NR	INTERIOR DOOR
D02	3'-0"	6'-8"	1-3/4"	WOOD	STEEL	NR	RESTROOM DOOR W/ CLOSER
D03	2'-0"	6'-8"	1-3/4"	WOOD	STEEL	NR	RESTROOM DOOR W/ CLOSER
D04	3'-0"	6'-8"	1-3/4"	METAL	STEEL	NR	EXTERIOR DOOR W/ CLOSER
D05	3'-0"	6'-8"	1-3/4"	METAL	STEEL	NR	EXTERIOR DOOR W/ CLOSER
D06	(2)2'-8"	6'-8"	1-3/4"	GLASS	STEEL	NR	FRONT ENTRANCE
D07	2'-0"	6'-8"	1-3/4"	WOOD	STEEL	NR	INTERIOR DOOR
D08	3'-0"	6'-8"	1-3/4"	METAL	STEEL	NR	EXTERIOR DOOR W/ CLOSURE
D09	3'-0"	6'-8"	1-3/4"	WOOD	STEEL	1 HR	1 HR RATED DOOR W/ CLOSER

NOTE: ALL DOORS ARE TO BE FITTED WITH COMMERCIAL GRADE HARDWARE AND HANDLES.  
ALL EXTERIOR DOOR ASSEMBLIES TO BE RATED FOR 130 MPH WINDS AND SHALL BE MISSILE IMPACT RESISTANT.  
DOORS IN A REQUIRED MEANS OF EGRESS SERVING ANY ASSEMBLY AREA HAVING AN OCCUPANT LOAD OF 50 OR MORE PERSONS SHALL NOT BE EQUIPPED WITH A LATCH OR LOCK OTHER THAN PANIC HARDWARE OR FIRE EXIT HARDWARE.

**WINDOW SCHEDULE**

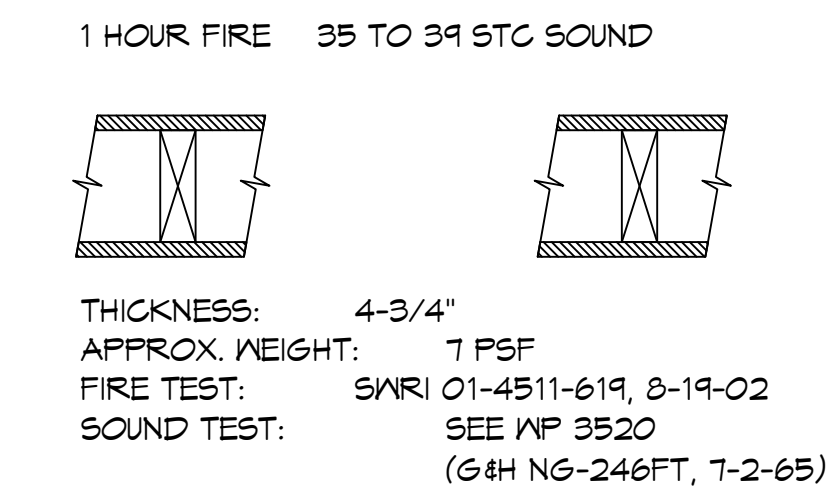
MK	WIDTH	HEIGHT	FRAME MAT	NOTES
W01	3'-0"	5'-0"	ALUM	NEW WINDOW INSULATED
W02	4'-0"	5'-0"	ALUM	NEW WINDOW INSULATED

NOTE: ALL EXTERIOR WINDOW AND DOOR ASSEMBLIES TO BE RATED FOR 130 MPH WINDS AND SHALL BE MISSILE IMPACT RESISTANT.

GA FILE NO. WP 3514 GENERIC

ONE LAYER 5/8" TYPE X GYPSUM WALLBOARD OR GYPSUM VENEER BASE APPLIED PARALLEL OR AT RIGHT ANGLES TO EACH SIDE OF 2x4 WOOD STUDS 16" O.C. WITH 1-1/4" TYPE W DRYMALL SCREWS 12" O.C.

JOINTS STAGGERED 16" ON OPPOSITE SIDES. (LOAD BEARING)



**DAMMON ENGINEERING, INC.**  
 LOUISIANA & MISSISSIPPI  
 www.dammonengineering.com  
 info@dammonengineering.com  
 554 Old Spanish Trail  
 Slidell, LA 70458  
 PH: 985.649.5832 F: 985.641.5590  
 Chief Engineer: Brian Missetch, PE  
 554 Old Spanish Trail  
 Slidell, LA 70458

#	DESCRIPTION	DATE



**COMMUNITY CHURCH**  
**SEPTIST**  
 5448 BACON RD.  
 SLIDELL, LA 70460  
 JOB NO: 2483 DATE: 10/10/2023  
 DRAWN BY: JMS CHECKED BY: CKD

SHEET TITLE:  
**FLOOR PLAN**  
 DRAWING NUMBER:  
**A101**  
 SHEET No: 9 of 15





### AHU UNIT SCHEDULE

DESIGNATION	TOTAL Btu	CFM	OA	HEA T (KW)	ELECTRICAL			MFR
					VOLT	MCA	MAX O.C.P.	
AHU-1 (EXISTING)	48,000 Btu 4 TON	1,600	160	10	240V,10	54	60	GOODMAN ARUF OR EQUAL
AHU-2	60,000 Btu 5 TON	2,000	400	4.5	240V,10	31	35	
AHU-3	60,000 Btu 5 TON	1,610	400	10	240V,10	56	60	
AHU-4 (OPTIONAL)	36,000 Btu 3 TON	1,200	0	0	240V,10	3.6	15	

### A/C UNIT SCHEDULE

DESIGNATION	TOTAL Btu	ELECTRICAL			MFR
		VOLT	MCA	MAX O.C.P.	
CU-1 (EXISTING)	48,000 Btu 4 TON	240V,10	29	50	GOODMAN 65X14 OR EQUAL
CU-2	36,000 Btu 3 ton	240V,10	32.0	50	
CU-3	54,000 Btu 5 TON	240V,10	32.0	50	
CU-4 (OPTIONAL)	36,000 Btu 3 ton	240V,10	18.6	30	

### DIFFUSER SCHEDULE

Mark No.	Service	Neck Size	Description
A	Supply Air	Ref. Plan	24" X 24" Adjustable Square Cone Diffuser, Price ASCDA w/ Insulated Back Panel
B	Supply Air	Ref. Plan	12" X 12" Adjustable Square Cone Diffuser, Price ASCDA w/ Insulated Back Panel
C	Return Air	Ref. Plan	24" X 24" Perforated, Ducted Return w/ Damper, Tilt PAR
D	Exhaust	Ref. Plan	Eggcrate exhaust, Price 80 w/ damper

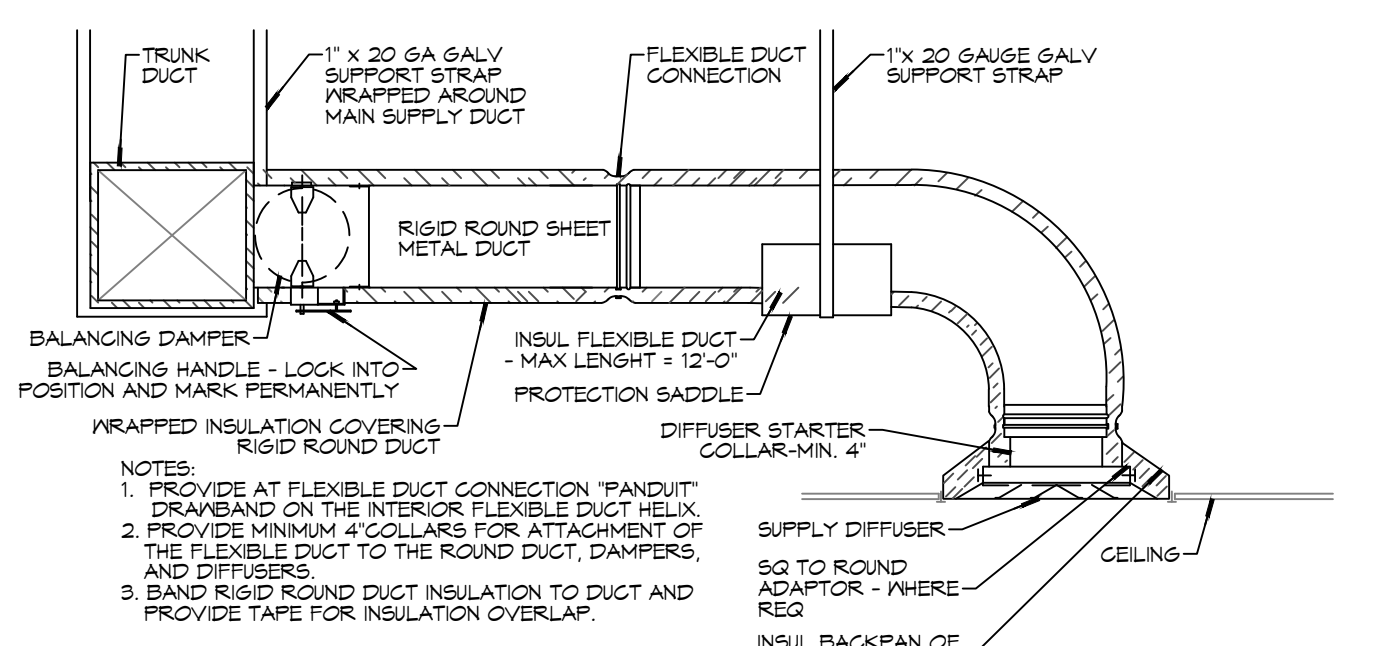
### EXHAUST FAN SCHEDULE

TAG	FAN		POWER		MAKE / MODEL	REMARKS
	AIRFLOW (CFM)	TSP ("wc)	AMPS	WATTS		
EF-1	220	0.1	220	120	1 80	Cook GC-188 1.2
EF-2	180	0.2	145	120	1 80	Cook GC-168 1.2
EF-3	90	0.1	90	120	1 80	Brain 596N 1.3

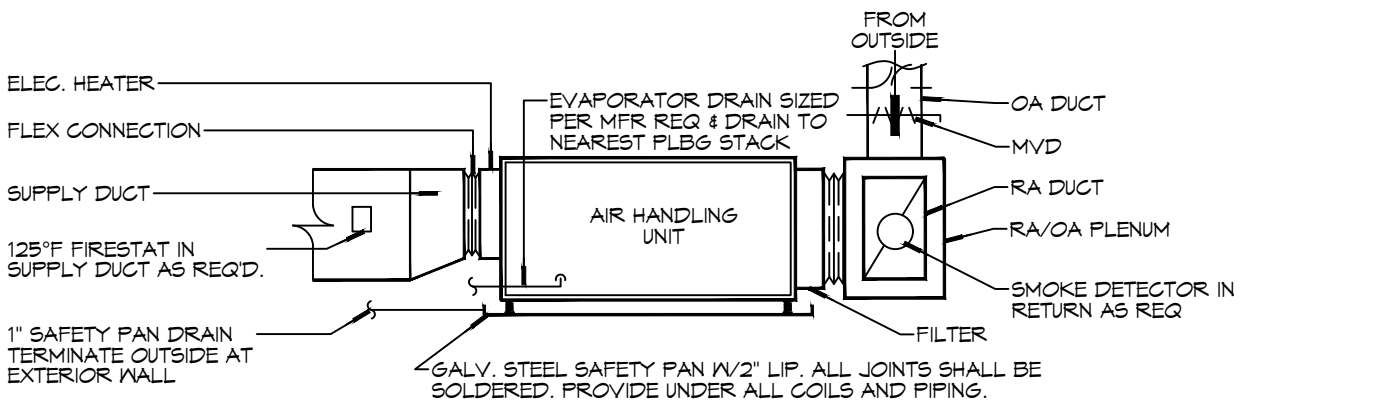
**NOTE:**  
ALL MECHANICAL IS DRAWN DIAGRAMMATICALLY FOR CLARITY, FIELD VERIFY PRIOR TO FABRICATION.

- ### GENERAL HVAC NOTES
- CONCEALED DUCTWORK TO BE GALVANIZED SHEET METAL WRAPPED WITH FIBROUS GLASS DUCT WRAP WITH FSK VAPOR BARRIER, MIN R-6. INSTALLED PER SMACNA STANDARDS. DUCT WORK IMMEDIATELY DOWNSTREAM FROM AHU SHALL BE LINED FOR SOUND ATTENUATION.
  - EXPOSED DUCTWORK TO BE GALVANIZED SHEET METAL LINED WITH FIBROUS GLASS DUCT LINER, MIN R-6. INSTALLED PER SMACNA STANDARDS.
  - ROUND FLEXIBLE DUCT TO BE UL-181, CLASS 1, AIR DUCT MATERIALS.
  - DUCT SIZES SHOWN ARE CLEAR INSIDE DIMENSIONS.
  - IN ALL SYSTEMS OVER 2000 CFM AND LESS THAN 15,000 CFM, SMOKE DETECTORS SHALL BE INSTALLED IN ACCORDANCE WITH NFPA 72E IN THE RETURN DUCT DOWNSTREAM OF THE AIR HANDLING UNIT AND ALL FILTERS TO AUTOMATICALLY STOP THE FAN.
  - PROVIDE UL LISTED 125 F° FIRESTAT IN RETURN AIR OF EACH SYSTEM UNDER 2000 CFM TO SHUT DOWN THE FAN IN THE EVENT OF FIRE.
  - PROVIDE UL RATED FIRE DAMPERS WHERE REQUIRED AT ALL DUCT PENETRATIONS OF FIRE-RATED ASSEMBLIES AND WHERE REQUIRED BY CODE, INCLUDING OUTSIDE AIR INTAKES AND EXHAUST FANS.
  - CONDENSATE DRAINS TO BE PVC PIPE RUN TO PLUMBERS P-TRAP WITHIN FIVE FEET OF AIR HANDLING UNITS.
  - ALL AIR HANDLING SYSTEMS TO BE BALANCED TO ASSURE PROPER AIR FLOWS PER PLANS.
  - ALL THERMOSTATS TO BE AUTOMATIC CHANGEOVER WITH HEAT SWITCH.
  - EXHAUST FAN SHALL BE CONTROLLED BY A SWITCH ON THE WALL IN THE SAME LOCATION AS LIGHT SWITCH(S). PROVIDE BACK DRAFT DAMPER.
  - PROVIDE AND INSTALL WATER PROOF GRILLE VENT IN PROPER ROOF LOCATION FOR PLUMBING FIXTURE EXHAUST.
  - ALL SUPPLY AIR VENTS SHALL BE EQUIPPED WITH AIR CONTROL DAMPERS AT THE REGISTER.
  - LOCATE OUTDOOR UNITS AS SHOWN ON ARCHITECTURAL DRAWINGS.
  - REFRIGERANT LINES SHALL BE SIZED BY UNIT MANUFACTURER AND INSTALLED ACCORDING TO MANUFACTURER'S INSTRUCTIONS.
  - FRESH AIR SHALL BE SUPPLIED TO EACH AIR HANDLER THROUGH EXTERIOR WALL DUCT SUPPLIED WITH A CONTROL DAMPER.
  - ALL ELECTRICAL, MECHANICAL, AND PLUMBING PENETRATING FIRE WALLS SHALL BE FIRE CAULKED. (PENETRATIONS THROUGH RATED CONSTRUCTION SHALL BE SEALED WITH A MATERIAL CAPABLE OF PREVENTING THE PASSAGE OF FLAMES AND HOT GASES WHEN TESTED IN ACCORDANCE WITH ASTM-E8-14).
  - ALL MECHANICAL SYMBOLS ARE DRAWN DIAGRAMMATICALLY. CONTRACTOR TO VERIFY WITH OWNER LOCATIONS OF VENTS, DAMPERS, REGISTERS, ETC.
  - FLEXIBLE DUCTWORK LENGTH NOT TO EXCEED 12'-0".
  - REFER TO REFLECTED CEILING PLAN FOR FINAL GRILLE AND DIFFUSER LOCATIONS AND COORDINATE AS REQUIRED.
  - FINAL LOCATION OF TEMPERATURE CONTROLS TO BE COORDINATED WITH OWNER AT JOB SITE.
  - PROVIDE AND INSTALL SMOKE DETECTORS AS APPROVED BY LOCAL A.H.J.S. PLACE NEAR R/A AND S/A OPENINGS OF AHU AND PROVIDE, WITH ACCESS PANEL, WIRING BY ELECTRICAL CONTRACTOR.
  - FRESH AIR INTAKES ARE REQUIRED TO HAVE MOTORIZED OR GRAVITY DAMPERS TO SHUT OFF WHEN SYSTEM IS NOT RUNNING.
  - PROVIDE BIRD SCREENS AT ALL EXTERIOR MECHANICAL PENETRATIONS.
  - COORDINATE MALL MOUNTED THERMOSTAT LOCATIONS WITH ALL OWNER FURNISHED ITEMS EITHER WALL MOUNTED OR FLOOR MOUNTED AGAINST PARTITIONS. REFER TO ARCHITECTURAL DRAWINGS.
  - PROVIDE MIN 18 GA GALVANIZED SHEET METAL TO BLANK-OFF GABLE VENTS WHERE INTAKE/EXHAUST DUCTS OCCUR.

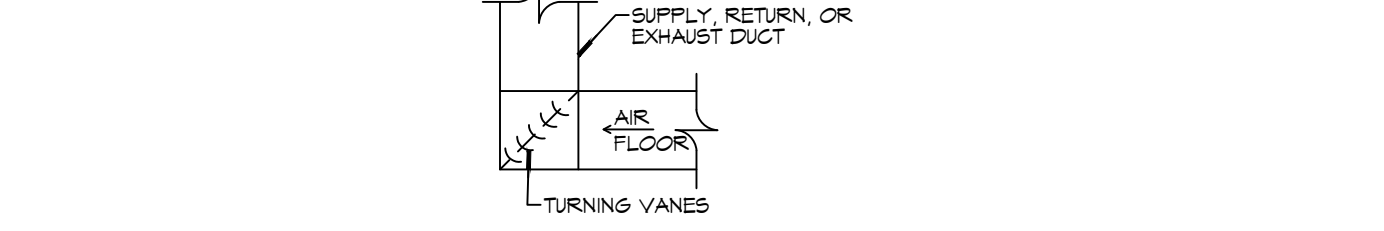
- NOTES:**
- PROVIDE ALL NEW AHU'S WITH SINGLE POINT CONNECTIONS.
  - COOLING CAPACITIES TO BE RATED IN ACCORDANCE WITH AHRI STANDARD 210/290 FOR ASHRAE STANDARD DESIGN WEATHER CONDITIONS IN NEW ORLEANS, LA.
  - PROVIDE INLET FILTER BOX, CONDENSATE OVERFLOW SWITCH & PROGRAMMABLE 1/24 THERMOSTAT WITH LOCKABLE COVER.
  - INSTALL UNITS IN ACCORDANCE WITH MANUFACTURER'S RECOMMENDATIONS.
  - PROVIDE NEW FILTERS AFTER COMMISSIONING AND FINAL ACCEPTANCE.



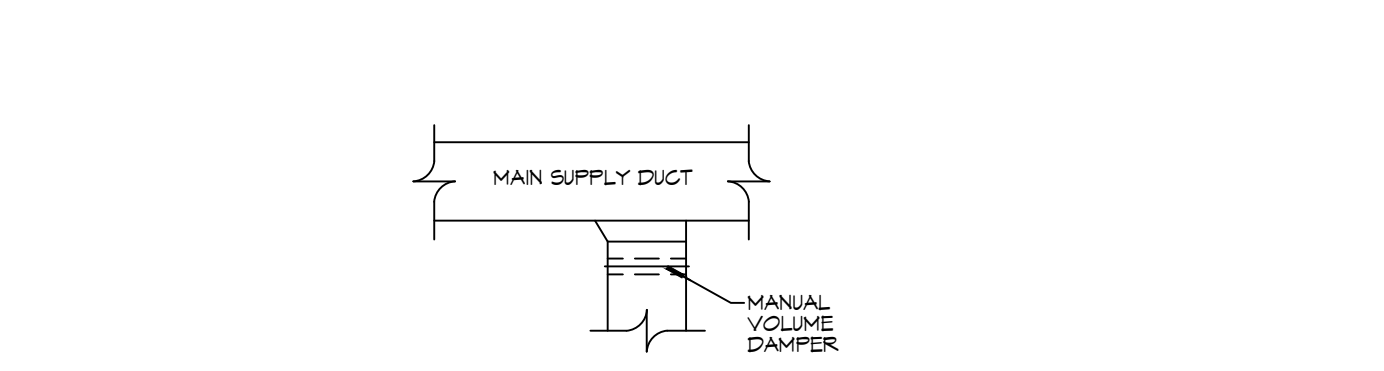
**F DIFFUSER CONNECTION DETAIL - FLEX DUCT**



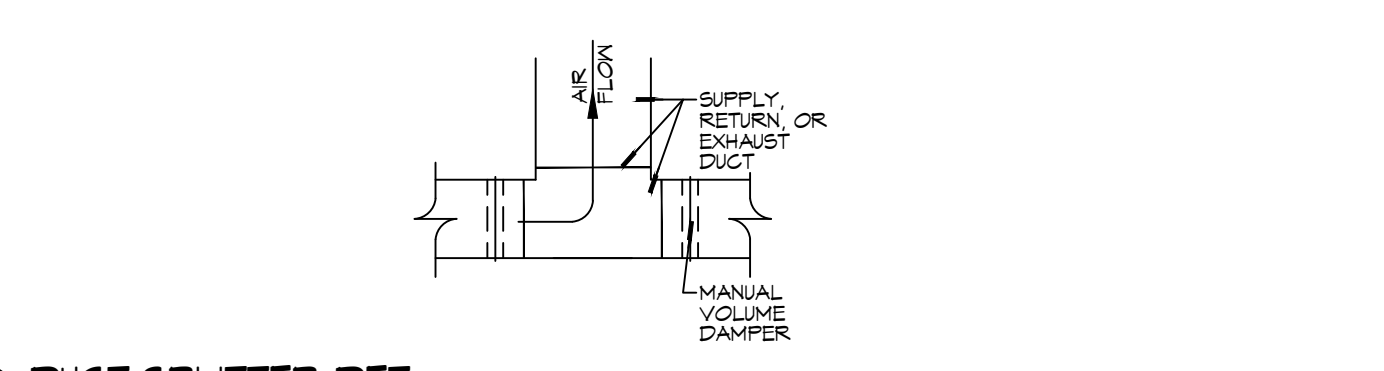
**E TYPICAL HORIZONTAL AHU DETAIL**



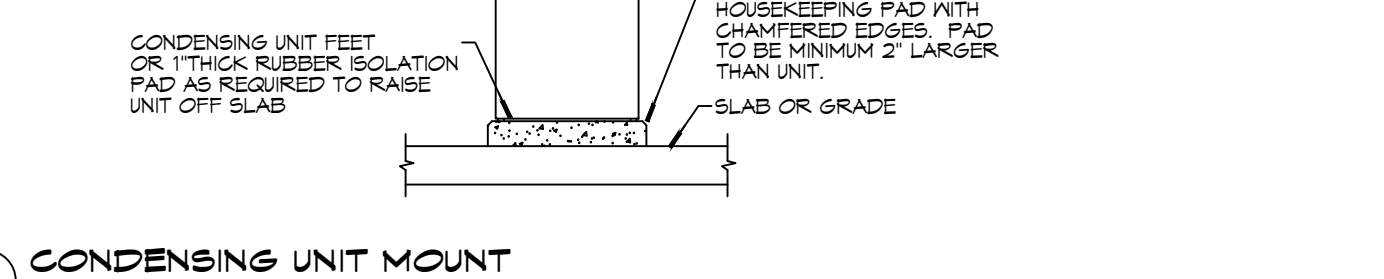
**D SQUARE ELBON DETAIL**



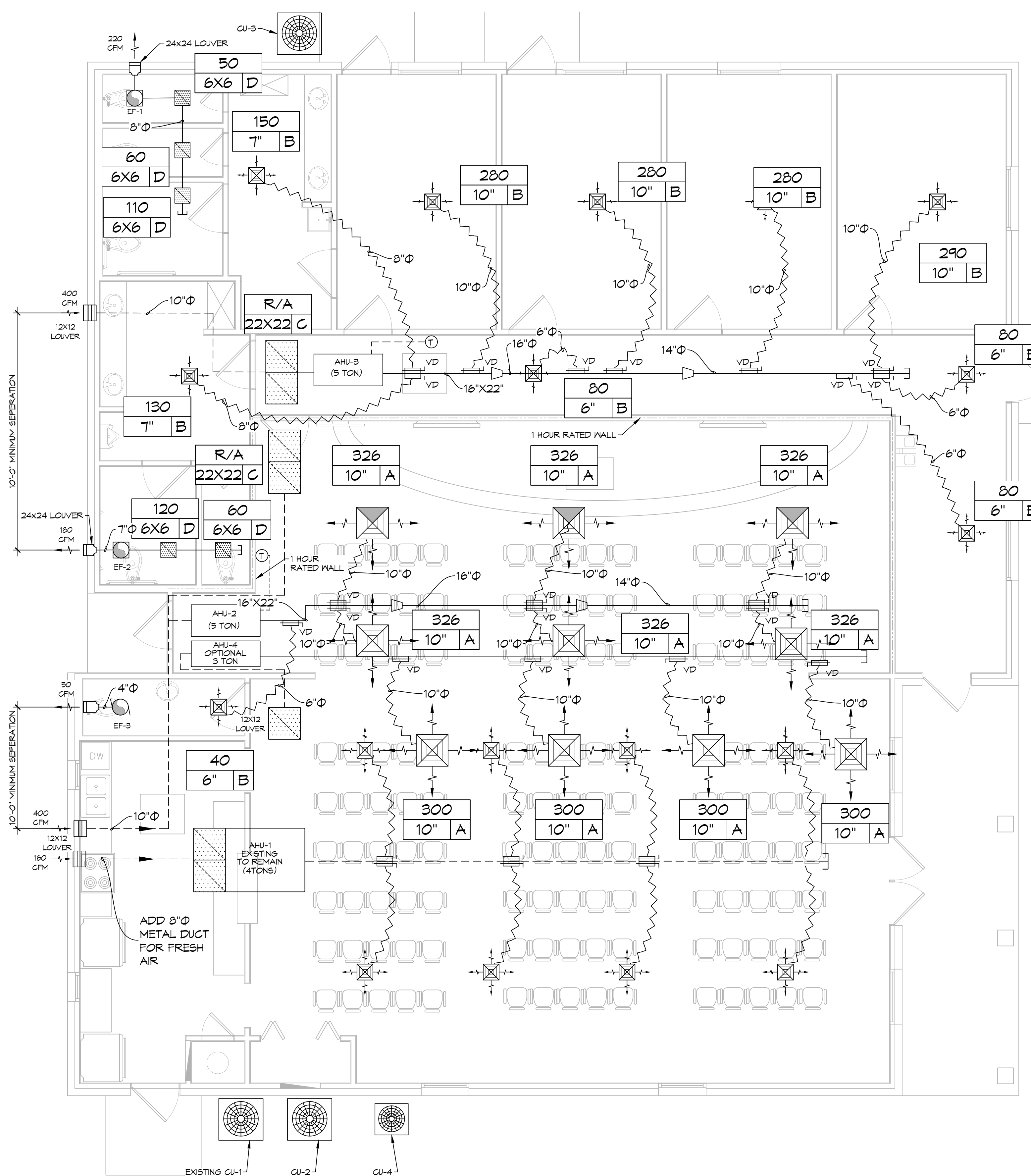
**C SUPPLY DUCT TAKE-OFF DETAIL**



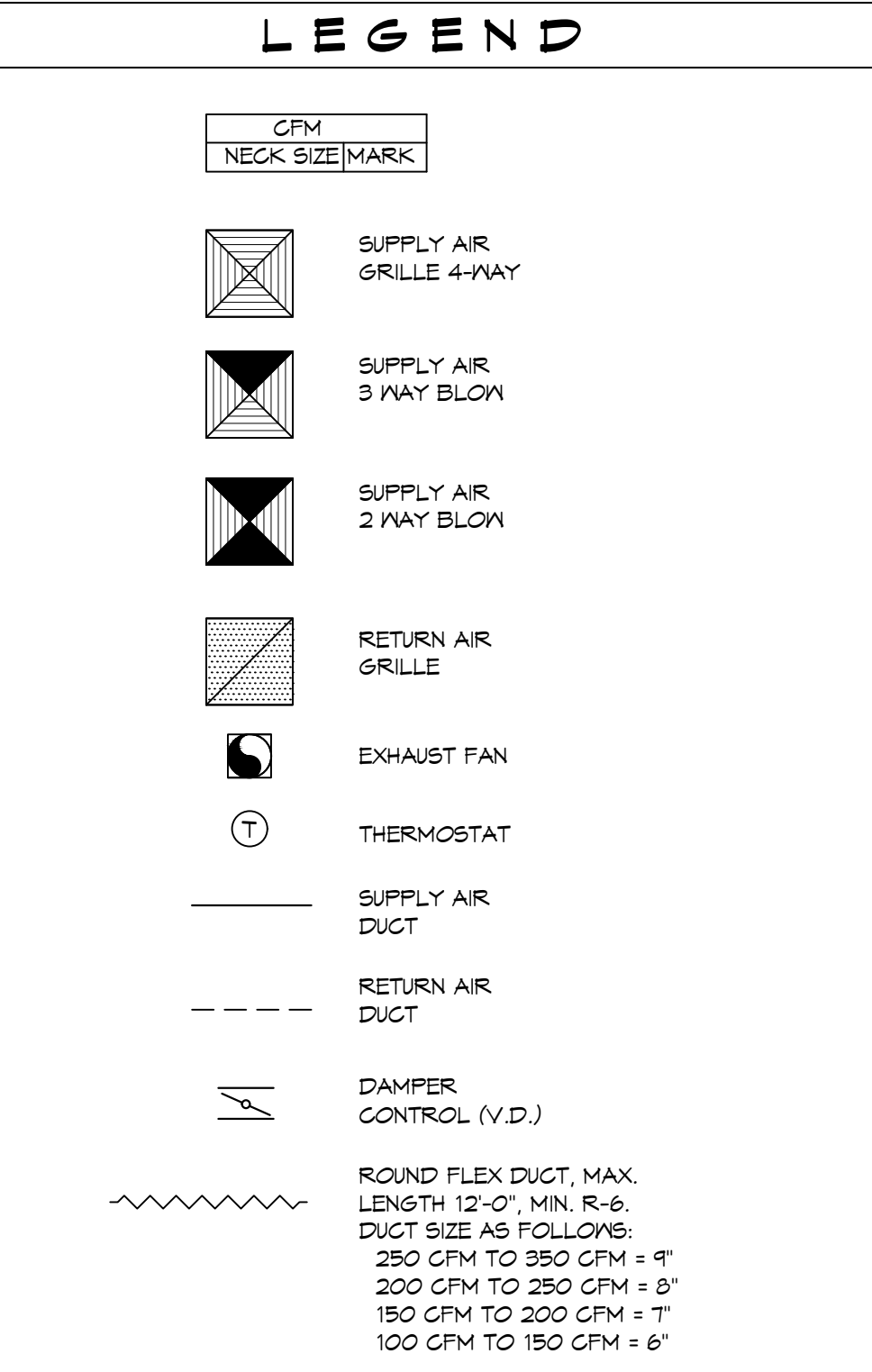
**B DUCT SPLITTER DET**



**A CONDENSING UNIT MOUNT**



**21 MECHANICAL FLOOR PLAN**  
SCALE: 1/4" = 1'-0"



# DAMMON ENGINEERING, INC.

LOUISIANA & MISSISSIPPI

Chief Engineer: Brian M. Storch  
554 Old Spanish Trail  
Slidell, LA 70458  
www.dammonengineering.com  
info@dammonengineering.com  
PH: 985.649.5832 F: 985.641.5950

#	DESCRIPTION	DATE



## COMMUNITY CHURCH

5448 BACON RD.  
SLIDELL, LA 70460  
JOB No: 2483 DATE: 10/10/2023  
DRAWN BY: BAK CHECKED BY: CKD

SHEET TITLE:  
MECHANICAL FLOOR PLAN,  
SCHEDULES AND DETAILS

DRAWING NUMBER:  
**M101**

SHEET No: 12 of 15





