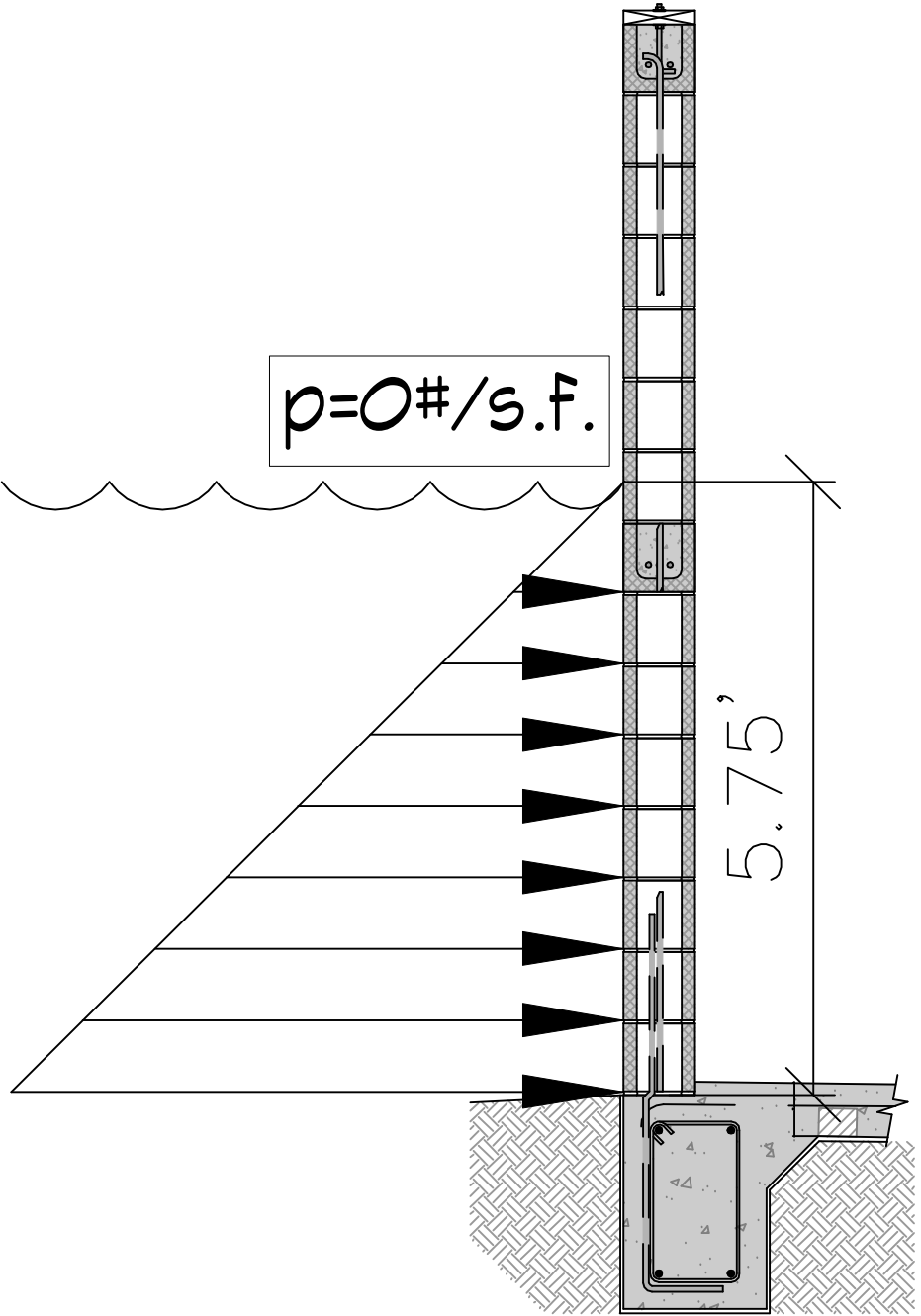


$p=358.8\#/s.f.$

BFE=14.0'

$p=0\#/s.f.$



5.75'