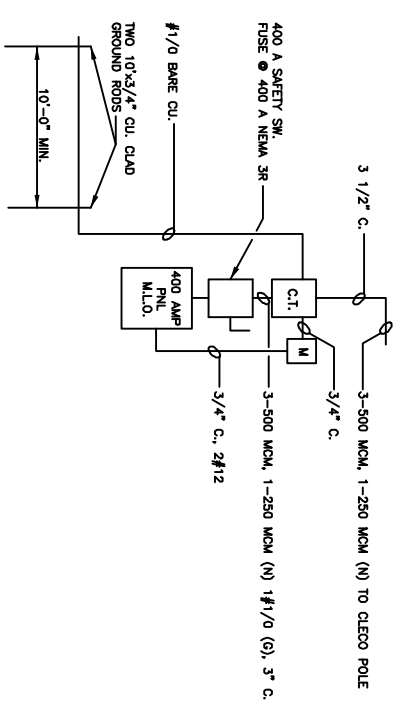
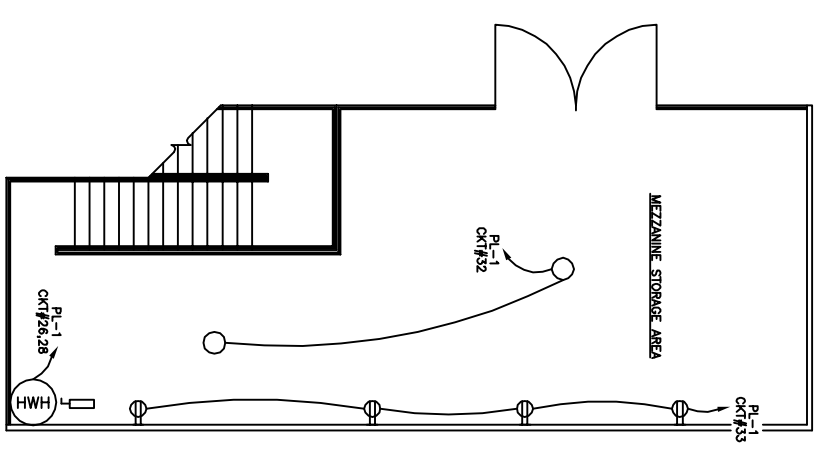


PANEL: PL-1
 LOCATION: BAY #1
 FEEDER SOURCE:
 VOLTAGE: 120/208V, 400A 3Ø 4W
 ENCLOSURE: SURFACE MOUNTED W/EQUIPMENT GRND BAR
 400A MLO
 SQUARE D TYPE OO LOAD CENTER

| CKT. NO. | LOAD DESCRIPTION | BREAKER AMP POLE | LOAD (VA) | LOAD TYPE | | | BREAKER AMP POLE | LOAD DESCRIPTION | CKT. NO. |
|------------------------------------|--|------------------|---------------------------|-----------|----|----------------------------|------------------|--|----------|
| | | | | A# | B# | C# | | | |
| 1 | SHOP AREA LIGHTING | 20 1 | - | | | | 20 | COMPRESSOR ROOM LIGHT | 2 |
| 3 | 208 RECEPTACLE | 20 1 | - | | | | 20 | SHOP AREA OUTLETS | 4 |
| 5 | SHOP AREA OUTLETS | 20 1 | - | | | | 20 | SHOP AREA OUTLETS | 6 |
| 7 | 208 RECEPTACLE | 20 1 | - | | | | 20 | 208 RECEPTACLE | 8 |
| 9 | WEATHERPROOF OUTLETS OUTSIDE | 20 1 | - | | | | 20 | EXTERIOR DOOR LIGHTS | 10 |
| 11 | PARTS AND STORAGE LIGHTS | 20 1 | - | | | | 20 | CONFERENCE AREA, LOCKER ROOM, HALLWAY, AND TOILET VENT/LIGHT | 12 |
| 13 | CONFERENCE AREA, HALLWAY, TOILET OUTLETS | 20 1 | - | | | | 20 | EXIT LIGHTS | 14 |
| 15 | OFFICE LIGHTS | 20 1 | - | | | | 20 | EMERGENCY LIGHTS | 16 |
| 17 | OFFICE, HALLWAY, WAITING OUTLETS | 20 1 | - | | | | 20 | OFFICE AND STORAGE OUTLETS | 18 |
| 19 | STORAGE, KITCHEN, OFFICE LIGHTS | 20 1 | - | | | | 20 | OFFICE OUTLETS | 20 |
| 21 | FLOOD LIGHTS | 20 1 | - | | | | 20 | EXTERIOR 200W LIGHTS | 22 |
| 23 | DISCONNECT IN COMPRESSOR RM. | 20 1 | - | | | | 20 | KITCHEN AND STORAGE OUTLETS | 24 |
| 25 | A/C UNIT | 40 2 | - | | | | 40 | HOT WATER HEATER | 26 |
| 27 | SMOKE DETECTORS | 20 1 | - | | | | 20 | WEATHERPROOF OUTLETS OUTSIDE | 28 |
| 29 | SMOKE DETECTORS | 20 1 | - | | | | 20 | WEATHERPROOF OUTLETS OUTSIDE | 30 |
| 31 | EXTERIOR 200W LIGHTS | 20 1 | - | | | | 20 | MEZZANINE STORAGE LIGHTS | 32 |
| 33 | MEZZANINE STORAGE OUTLETS | 20 1 | - | | | | 20 | SPARE | 34 |
| 35 | SPACE | 20 1 | - | | | | 20 | SPARE | 36 |
| 37 | SPACE | 20 1 | - | | | | 20 | SPACE | 38 |
| 39 | SPACE | 20 1 | - | | | | 20 | SPACE | 40 |
| 41 | SPACE | 20 1 | - | | | | 20 | SPACE | 42 |
| SOLID NEUTRAL (N) NEUTRAL WIRE (W) | | | TOTAL CONNECTED LOAD (VA) | | | GROUND BUS GROUND WIRE (G) | | | |
| | | | A# | B# | C# | | | | |



ELECTRICAL RISER DIAGRAM
 N.T.S.



MEZZANINE ELECTRICAL PLAN
 ABOVE LOCKER ROOM AND PARTS/STORAGE AREA
 SCALE: 3/16"=1'-0"

- LEGEND
- - 200 WATT BAY LIGHT
 - ⊕ - DUPLEX RECEPTACLE
 - ⊖ - HOT WATER HEATER ON MEZZANINE FLOOR

MEZANINE ELECTRICAL PLAN
 CHARLIE MAXWELL
 OLD SPANISH TRAIL
 SLIDELL, LOUISIANA

ON SITE
DAMMON ENGINEERING, INC.
 ARCHITECTS — ENGINEERS
 2000 OLD SPANISH TRAIL, STE 100 985-649-5832 SLIDELL, LA. 70458
 DAMMONENGINEERING.COM

SCALE: AS NOTED
 FILE:
 JOB NO.
 DATE: 8-1-03
 SHEET
E-2
 OF