

PANEL: PNL #1
LOCATION: WAREHOUSE
FEEDER SOURCE: CLECO

VOLTAGE: 120/208V, 3 ϕ , 4W 200 MAINS, 200A
ENCLOSURE: SURFACE MOUNTED W/EQUIPMENT GRND BAR
SQUARE D TYPE QO LOAD CENTER

CKT. NO.	LOAD DESCRIPTION	BREAKER		LOAD (VA)	PHASE			LOAD (VA)	BREAKER		LOAD DESCRIPTION	CKT. NO.
		AMP	POLE		A ϕ	B ϕ	C ϕ		POLE	AMP		
1	ENTRY LIGHTS	20	1	-	-	-	-	1	20	ATRIUM RECEPTACLES	2	
3	TRAINING/ INSTRUCTOR/ GUEST LIGHTS	20	1	-	-	-	-	1	20	TRAINING ROOM RECEPTACLES	4	
5	1ST FLOOR LEFT PASSAGE LIGHTS	20	1	-	-	-	-	1	20	INSTRUCTOR/ GUEST RECEPTACLES	6	
7	KITCHEN/ STAIR/ SPRINK. CLO. LIGHTS	20	1	-	-	-	-	1	20	KITCHEN/ 1ST FLOOR LEFT PASSAGE RECEPTACLES	8	
9	REFRIGERATOR	20	1	-	-	-	-	1	20	KITCHEN GFI RECEPTACLES	10	
11	1ST FLOOR MENS RESTROOM LIGHTS	20	1	-	-	-	-	1	20	HOOD/ MICROWAVE RECEPTACLE	12	
13	1ST FLOOR WOMENS RESTROOM LIGHTS	20	1	-	-	-	-	1	20	1ST FLOOR MENS RESTROOM GFI RECEPT.	14	
15	1ST FLOOR HANDICAP RESTROOM LIGHTS	20	1	-	-	-	-	1	20	1ST FLOOR WOMENS RESTROOM GFI RECEPT.	16	
17	ENGINEERING/ DRAFTING/ SALES LIGHTS	20	1	-	-	-	-	1	20	1ST FLOOR HANDICAP RESTROOM GFI RECEPT.	18	
19	OPERATIONS MANAGER/ SERVICE MANAGER LIGHTS	20	1	-	-	-	-	1	20	ENGINEERING/ DRAFTING RECEPTACLES	20	
21	1ST FLR. EXIT LIGHTS	20	1	-	-	-	-	1	20	SALES RECEPTACLES	22	
23	1ST FLR. EMERGENCY LIGHTS	20	1	-	-	-	-	1	20	SALES RECEPTACLES	24	
25	1ST FLR. SMOKE DETECTORS	20	1	-	-	-	-	1	20	SHOP MGR. RECEPTACLES	26	
27	1ST FLOOR RIGHT PASSAGE/ COPY NOOK LIGHTS	20	1	-	-	-	-	1	20	SERV. MGR. RECEPTACLES	28	
29	SPARE	20	1	-	-	-	-	1	20	OPER. MGR. RECEPTACLES	30	
31	SPARE	20	1	-	-	-	-	1	20	FRONT EXTERIOR LIGHTS	32	
33	KITCHEN RANGE	50	3	-	-	-	-	1	20	1ST FLOOR RIGHT PASSAGE/ COPY NOOK RECEPTACLES	34	
35				-	-	-	-	1	20	SPARE	36	
37				-	-	-	-	1	20	SPARE	38	
39	HOT WATER HEATER	40	2	-	-	-	-	1	20	SPARE	40	
41				-	-	-	-	1	20	SPARE	42	

TOTAL CONNECTED LOAD (VA) _____

SOLID NEUTRAL NEUTRAL WIRE (W) _____

GROUND BUS _____

GROUND WIRE (G) _____

PANEL: PNL #2
LOCATION: WAREHOUSE
FEEDER SOURCE: P-1

VOLTAGE: 120/208V, 3 ϕ , 4W 200 MAINS, 200A
ENCLOSURE: SURFACE MOUNTED W/EQUIPMENT GRND BAR
SQUARE D TYPE QO LOAD CENTER

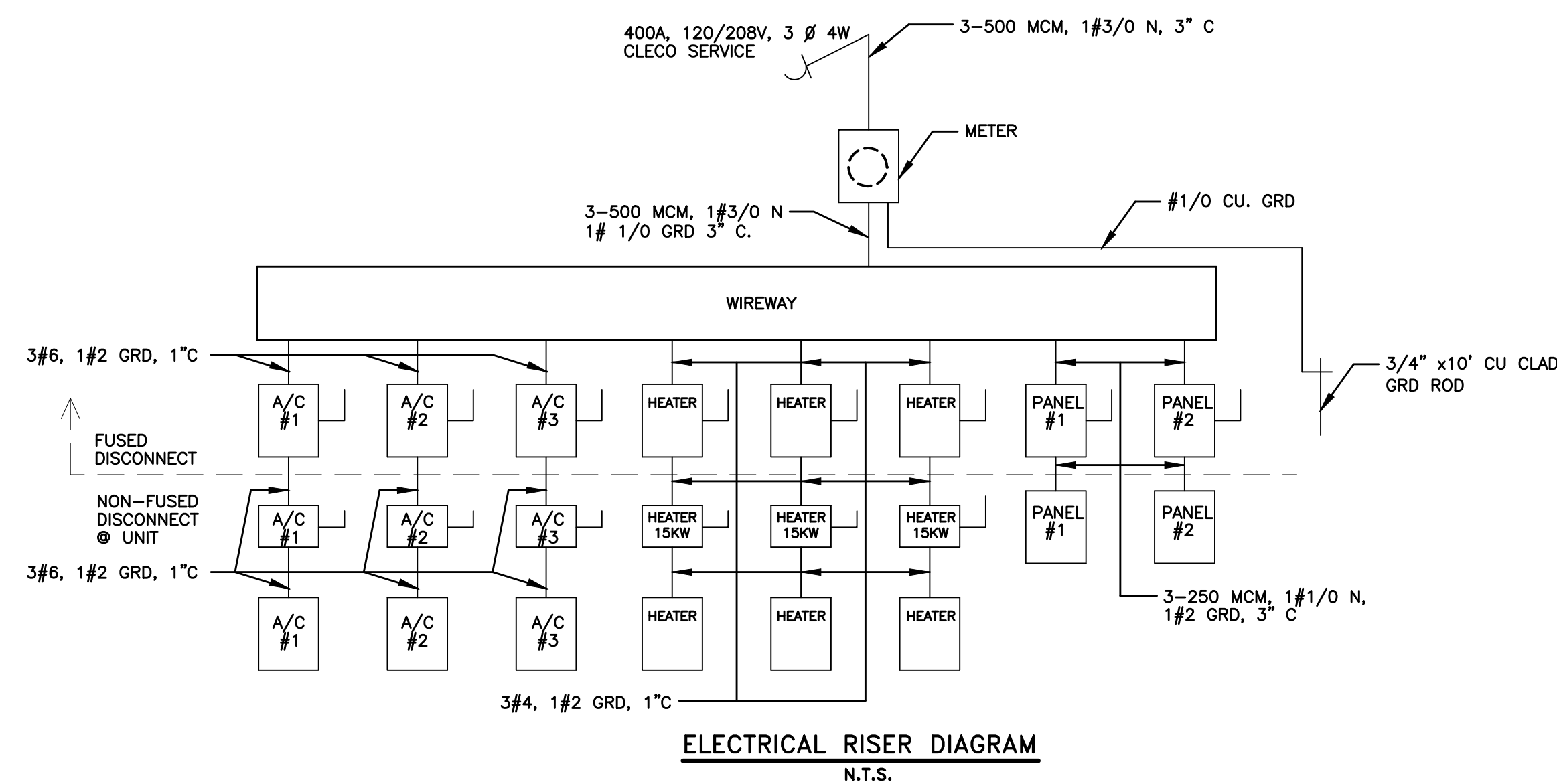
CKT. NO.	LOAD DESCRIPTION	BREAKER		LOAD (VA)	PHASE			LOAD (VA)	BREAKER		LOAD DESCRIPTION	CKT. NO.
		AMP	POLE		A ϕ	B ϕ	C ϕ		POLE	AMP		
1	BAY LIGHTS	20	1	-	-	-	-	1	20	WAREHOUSE RECEPTACLES	2	
3	WAREHOUSE RECEPTACLES	20	1	-	-	-	-	1	20	WAREHOUSE EXIT LIGHTS	4	
5	EMERGENCY LIGHTS	20	1	-	-	-	-	1	20	WAREHOUSE EXTERIOR LIGHTS	6	
7	WHSE. SMOKE DETECTORS	20	1	-	-	-	-	1	20	EXIT LIGHTS	8	
9	COMPUTER OUTLETS	20	1	-	-	-	-	1	20	EMERGENCY LIGHTS	10	
11	COMPUTER OUTLETS	20	1	-	-	-	-	1	20	WHSE. SMOKE DETECTORS	12	
13	COMPUTER OUTLETS	20	1	-	-	-	-	1	20	SPACE	14	
15	COMPUTER OUTLETS	20	1	-	-	-	-	1	20	SPACE	16	
17	COMPUTER OUTLETS	20	1	-	-	-	-	1	20	SPACE	18	
19	ATRIUM NIGHT LIGHTS	20	1	-	-	-	-	1	20	2ND FLOOR RIGHT PASSAGE RECEPTACLES	20	
21	BUILDING EXTERIOR EMERGENCY LIGHTS	20	1	-	-	-	-	1	20	ACCOUNTING RECEPTACLES	22	
23	BUILDING FRONT EXTERIOR LIGHTS	20	1	-	-	-	-	1	20	ACCOUNT MGR. RECEPTACLES	24	
25	EXEC. RECEPTION/ UPPER LOBBY LIGHTS	20	1	-	-	-	-	1	20	2ND FLR WOMENS RESTROOM GFI RECEPTACLES	26	
27	ACCOUNTING/ ACCOUNT MGR./ L. PASSAGE LIGHTS	20	1	-	-	-	-	1	20	2ND FLR MENS RESTROOM GFI RECEPTACLES	28	
29	2ND FLOOR MENS RESTROOM LIGHTS	20	1	-	-	-	-	1	20	BOARD ROOM RECEPTACLES	30	
31	BOARD ROOM/ PRESIDENT LIGHTS	20	1	-	-	-	-	1	20	ENTRY/ PASSAGE RECEPTACLES	32	
33	CORP. BULLPEN/ ADMIN/ CLOSETS LIGHTS	20	1	-	-	-	-	1	20	CORPORATE BULLPEN RECEPTACLES	34	
35	VICE PRESIDENT 2/ R. PASSAGE LIGHTS	20	1	-	-	-	-	1	20	ADMIN. RECEPTACLES	36	
37	2ND FLR. EXIT LIGHTS	20	1	-	-	-	-	1	20	VICE PRESIDENT 2 RECEPTACLES	38	
39	2ND FLR. EMERGENCY LIGHTS	20	1	-	-	-	-	1	20	PRESIDENT RECEPTACLES	40	
41	2ND FLR. SMOKE DETECTORS	20	1	-	-	-	-	1	20	2ND FLOOR LEFT PASSAGE RECEPTACLES	42	

TOTAL CONNECTED LOAD (VA) _____

SOLID NEUTRAL NEUTRAL WIRE (W) _____

GROUND BUS _____

GROUND WIRE (G) _____



REVISED: 04-04-06

PANEL SCHEDULES

PLATFORM CRANE SERVICE
DOSS DRIVE
SLIDELL, LOUISIANA

OFFICE/WAREHOUSE

DAMMON ENGINEERING, INC.
1095 FLORIDA AVENUE 985-649-5632 SLIDELL, LA. 70458
DAMMONENGINEERING.COM

SCALE: AS NOTED

FILE:

JOB NO. 1655

DATE: 04-18-05

SHEET

E-2

OF