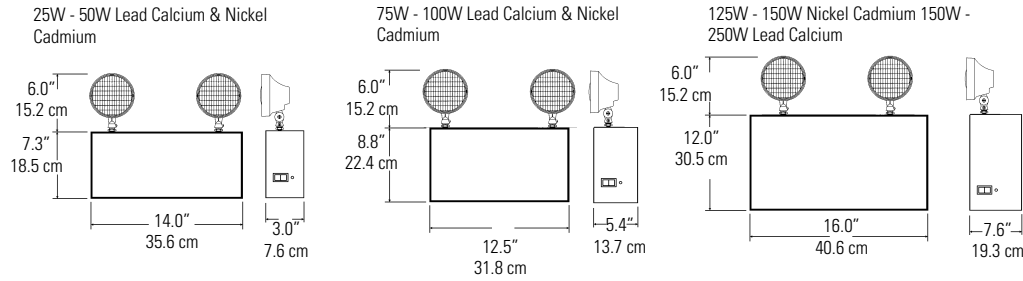




The E4 Series provides egress lighting in a wide variety of wattages. The classical steel housing and high performance electronics make the units ideal for commercial or light industrial applications.



Complete Fixture consists of unit and two lamp heads. * Select options and accessories below.

How to Specify:

E4	2				W
SERIES	VOLTAGE	BATTERY/ DC WATTAGE	# OF LAMP HEADS	SUGGESTED LAMP HEADS	HOUSING COLOR
E4 = Steel Emergency Lighting Unit	2 = 12V	<u>12V Lead Calcium</u> 36L = 36W 50L = 50W 10L = 100W 15L = 150W 25L = 250W <u>12V Nickel Cadmium</u> 25N = 25W 50N = 50W 75N = 75W 10N = 100W 12N = 125W ¹ 15N = 150W ¹	3 = Three 2 = Two 1 = One Blank = No Heads	<u>12V Tungsten Wedge Base</u> RT9 = 9W RT12 = 12.5W RT18 = 18W	W = White

NOTES:
 1) Units above 50W cannot be shipped with lamp heads included or installed.
 2) For additional lamp heads, see **RT66** Specification Sheet.

Features

- 1. Illumination:** Allows up to three mounted lamp heads. The standard lamp head incorporates a high performance parabolic reflector with a wedge base tungsten lamp. Allows maximum spacing between units along a path of egress.
- 2. Housing:** Constructed of 20 gauge (25-100w) or 18 gauge (125-250w) steel with a white corrosion-resistant, epoxy powder coat finish. Easily mounted with keyhole slots or shelf mounting. Universal j-box mounting pattern on 25-50w units.
- 3. Electronics:** 120/277 VAC dual voltage input with surge-protected, solid-state circuitry. Charging system is complete with low voltage disconnect, AC lockout, brownout protection, AC indicator lamp and test switch.
- 4. Battery:** Maintenance free, sealed lead calcium battery has an estimated service life of 5 years, and an operating temperature range of 65°F (19°C) to 85°F (30°C). Maintenance free, sealed nickel cadmium battery has an estimated service life of 10 years, and an operating temperature range of 20°F (-7°C) to 95°F (35°C).
- 5. Input Power Requirements:** 120 VAC - 0.18 amps, 18 watts (25-100w units); 0.58 amps, 60 watts (125-250w units)

Code Compliance

UL 924 listed.

Options

- SD = Self-Diagnostics
- SA = Self-Diagnostics with Alarm
- V = Voltmeter
- A = Ammeter
- T1 = 120 VAC Time Delay
- T2 = 277 VAC Time Delay
- LCK1 = Line Cord (6', 120 VAC field installed)
- F1 = 120 VAC Fuse
- F2 = 277 VAC Fuse
- P1 = 120 VAC Power Switch

Options (continued)

- P2 = 277 VAC Power Switch
 - DC = DC Power Switch
 - ST = Special Input Transformer (specify voltage and frequency)
- Multiple option configurations may void UL listing. Consult factory for specifics.

Accessories

- WG5 = Wire Guard (36-100w lead calcium, 25-50w nickel cadmium)
- WG = Wire Guard (125-250w lead calcium, 100-150w nickel cadmium)
- MLSHELFW = White Mounting Shelf (36-50w lead calcium, 25-50w nickel cadmium)
- MJSHELFW = White Mounting Shelf (75-100w lead calcium)
- MXSHELFW = White Mounting Shelf (125-250w lead calcium, 100-150w nickel cadmium)

Job Information	Type:
Job Name:	
Cat. No.:	
Lamp(s):	
Notes:	

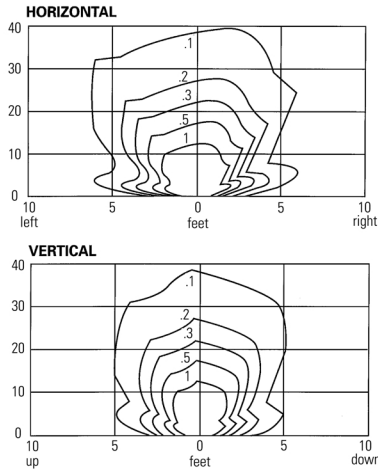
Lightolier a Genlyte Thomas Company www.lightolier.com
 631 Airport Road, Fall River, MA 02720 • (508) 679-8131 • Fax (508) 674-4710
 We reserve the right to change details of design, materials and finish.
 © 2002 Genlyte Thomas Group LLC (Lightolier Division) • C0303

LIGHTOLIER®

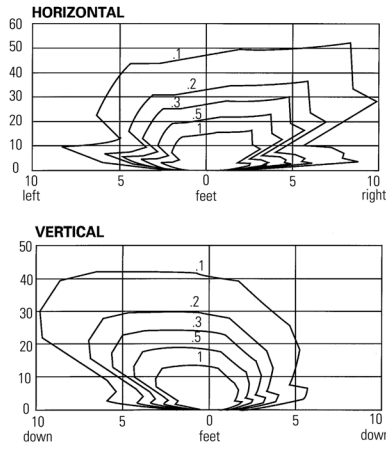


Lamp Head Photometrics

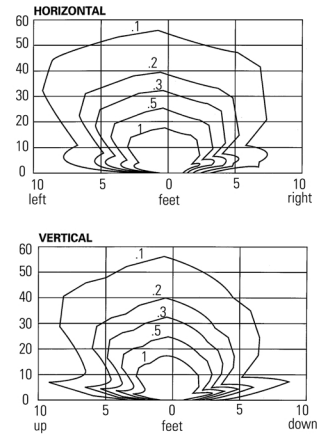
RT9- 12 Volt, 9 Watt, Tungsten



RT12- 12 Volt, 12.5 Watt, Tungsten



RT18- 12 Volt, 18 Watt, Tungsten



Unit Battery Capacity

DC Voltage	Unit	Suggested Lamp Head	Watts to 87½ of Rated Voltage*			
			1½ hrs.	2 hrs.	4 hrs.	8 hrs.
12	E4236L	RT9	36	27	14	7.2
	E4250L	RT9	50	37.5	19	10
	E4210L	RT18	100	75	38	20
	E4215L	RT18	150	112.5	72	25.5
	E4225L	RT18	250	187.5	95	50
	E4225N	RT9	25	19	9.5	—
	E4250N	RT9	50	37.5	19	10
	E4275N	RT9	75	56.5	28.5	15
	E4210N	RT18	100	75	38	20
	E4212N	RT18	125	94	47.5	21.5
	E4215N	RT18	150	112.5	72	25.5

* Per NEC Specifications

Warranty

Electronics: 3 years

Battery: 1 year full, 4 years pro-rata (lead calcium);

5 year full, 5 years pro-rata (nickel cadmium)

LIGHTOLIER

Job Information Type:

Lightolier a Genlyte Thomas Company www.lightolier.com
 631 Airport Road, Fall River, MA 02720 • (508) 679-8131 • Fax (508) 674-4710
 We reserve the right to change details of design, materials and finish.
 © 2002 Genlyte Thomas Group LLC (Lightolier Division) • C0303