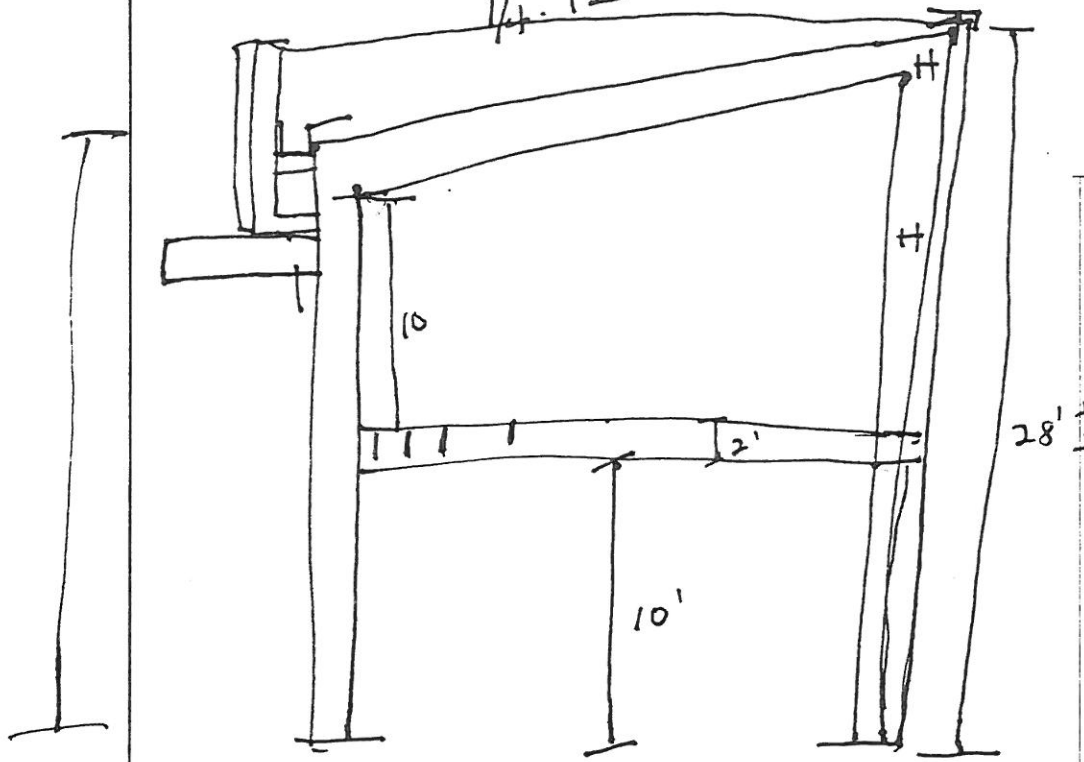
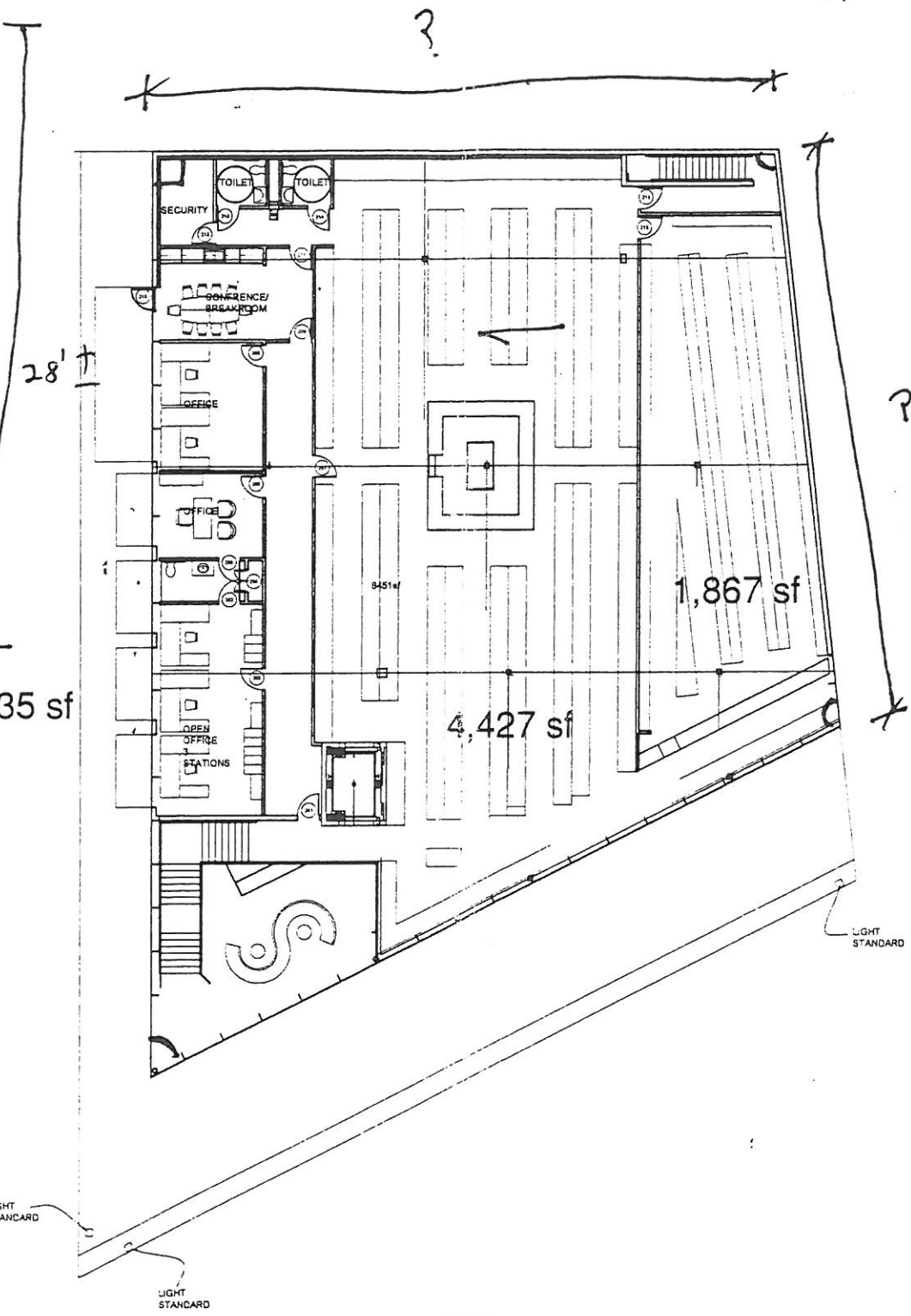


26'

14'-12" SS ROOF



2,035 sf



1 Second Floor Plan
3/8" = 1'-0"

Hubcap, Tire & Wheel, Inc.
4200 Jefferson Hwy., Jefferson, Louisiana 70121

Second Floor Plan

DESIGNED BY	JH
DRAWN BY	ML
CHECKED BY	
PROJECT NO.	HUB 101
SCALE	AS NOTED
DATE	3/14/08

A101

