

DAMMON ENGINEERING, INC.

dammonengineering.com

CONSULTING

DESIGN

STUDIES

EXPERT WITNESS

1095 Florida Ave.
Slidell, LA 70458

P.O. Box 2830
Slidell, LA 70459

985-649-5832
FAX 985-641-5950

July 16, 2010

To: Mr. Rick Campo, RCI Const.

REF: Honaker Funeral Home
New Crematory
Slidell, LA

Dear Mr. Campo,

Per our phone conversation 7-16-10, Dammon Engineering approves your request to use Windstorm 7/16" structural sheathing in lieu of the 1/2" Densglass sheathing originally specified on the plans. Please see the attached detail for the approved nailing pattern. This change also eliminates the requirement for the originally specified Simpson Strong-tie SP-1 "stud to bottom plate" and SP-2 "stud to top plate" clips.

Your request to use the Simpson Strong-tie HPAHD22 in lieu of PHD5-SDS3 corner holdowns is also approved.

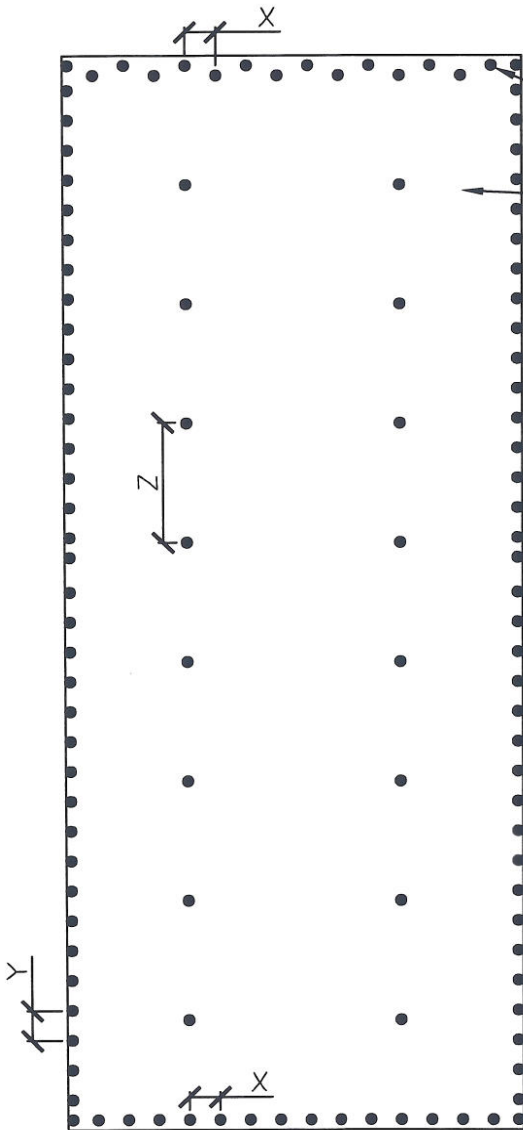
Please install the above products in strict accordance with the manufacturer requirements.

Sincerely,

Brandon Nowakowski
Dammon Engineering

Attachments:

1. Windstorm Structural Panel nailing pattern detail.
2. Simpson Strong-Tie HPAHD22 holdown detail.



TYPICAL PANEL

NAILING MAY BE STAGGERED
ACROSS BOTH TOP PLATES

WINSTORM PANELS
RUN VERTICALLY FULL-HEIGHT

SEE MANUFACTURER'S REQUIREMENTS FOR
ADDITIONAL DETAILS AND NOTES

NAIL SPACING

X= 3" O.C.

Y= 6" O.C.

Z= 12" O.C.

X= PLATE EDGE NAIL SPACING

Y= LONG EDGE NAIL SPACING

Z= FIELD NAIL SPACING

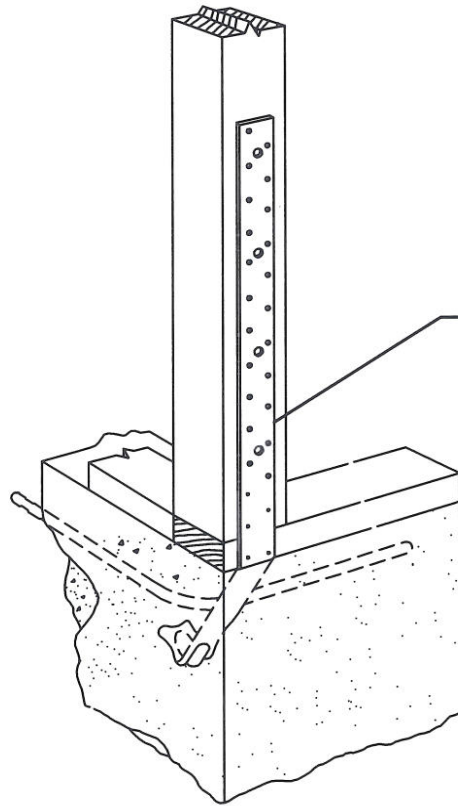
NOTE:

NAILING SHOWN ON DRAWING N.T.S.

USE NAIL SPACING AS SHOWN

WINDSTORM STRUCTURAL SHEATHING DETAIL

SCALE: N.T.S.



Simpson Strong-Tie
HPAHD22

CORNER HOLDOWN DETAIL

N.T.S.

Dammon Engineering, Inc.

1095 Florida Ave
 Slidell, LA 70458

Invoice

DATE	INVOICE #
7/16/2010	5887

BILL TO:	
Honaker Funeral Home P.O. Box 6087 Slidell, LA 70469	
RE:	Honaker Funeral Home

DESCRIPTION	QTY	RATE	AMOUNT
Design Alteration Letter, Nailing Patter Calculations		300.00	300.00
Thank You.		Total Due:	\$300.00