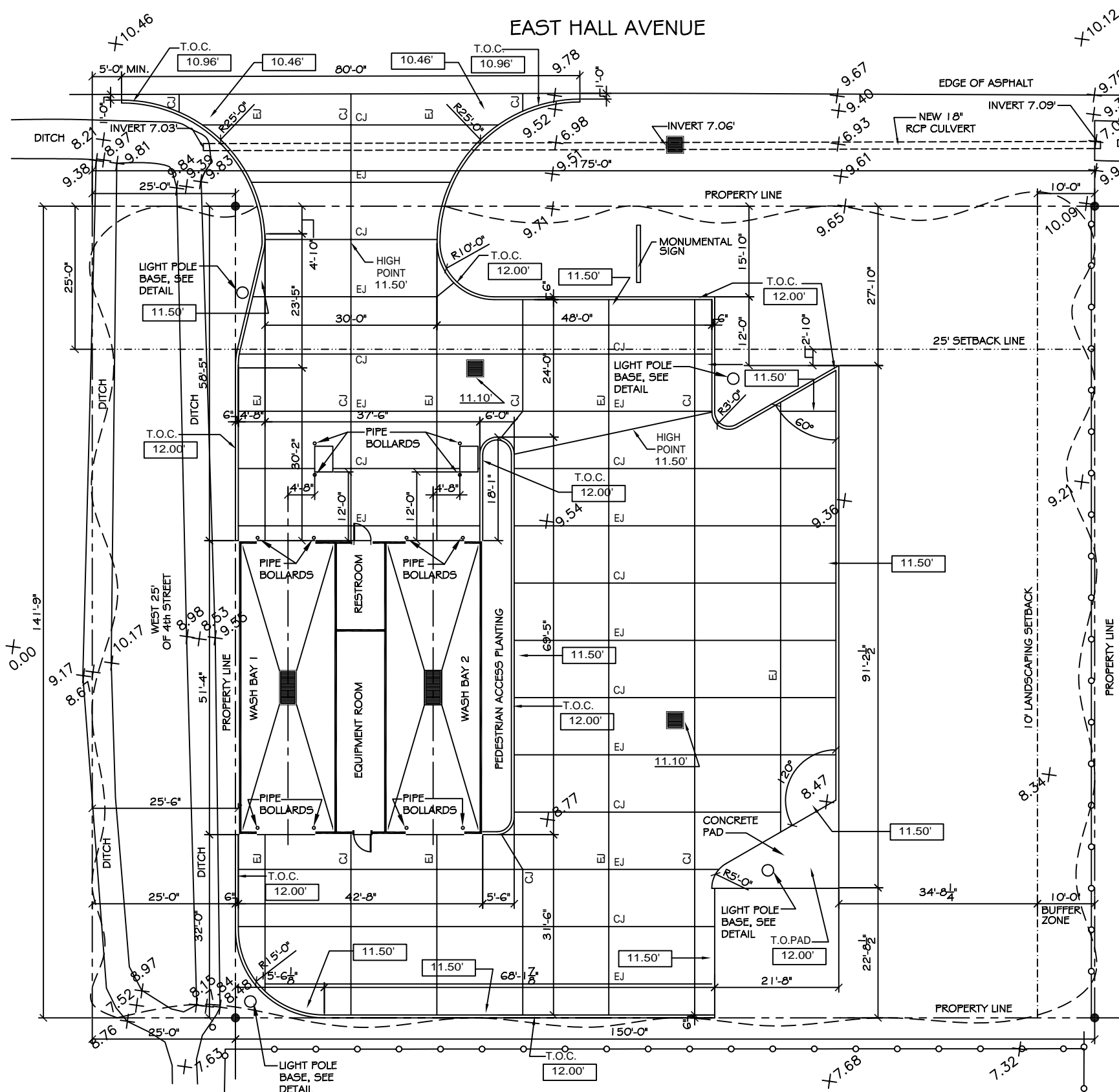


EDGE OF ASPHALT

EAST HALL AVENUE



SITE PAVING PLAN

SCALE: 1"=10'

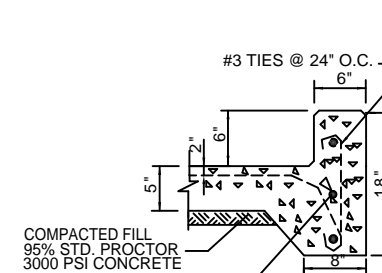
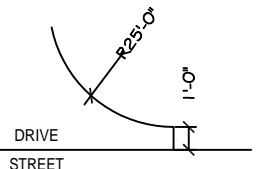


LEGEND:

- PROPERTY LINE
- BUILDING SETBACK MINIMUM
- NEW BUILDING
- NEW DROP INLET w/TEMP. SILT FENCING
- CONTROL JOINT
- EXPANSION JOINT
- T.O. GRATE ELEVATION
- INVERT ELEVATION
- NEW ELEVATIONS
- TEMPORARY SILT FENCING
- NEW 6" CURB, SEE DETAIL THIS SHEET
- NEW 6" PIPE BOLLARDS
- EXISTING SURVEY TOPO POINTS

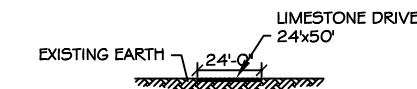
TYPICAL ENTRANCE DETAIL

N.T.S.



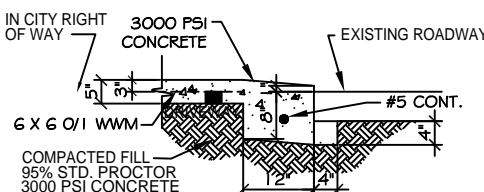
TYPICAL CURB DETAIL

N.T.S.



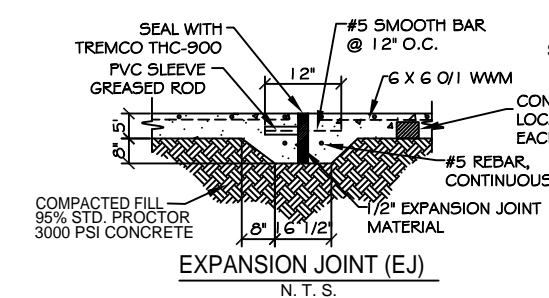
TEMP. ENTRANCE DETAIL

N.T.S.



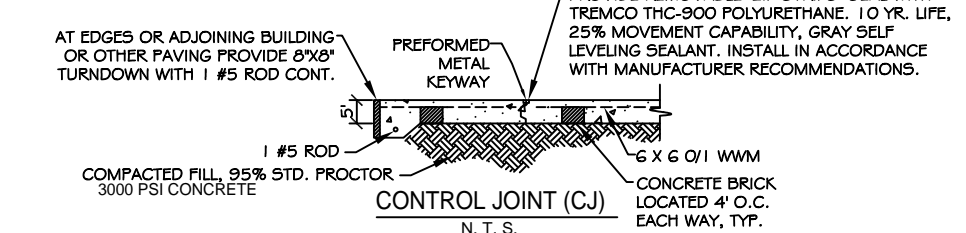
DRIVEWAY SECTION (DS)

N.T.S.



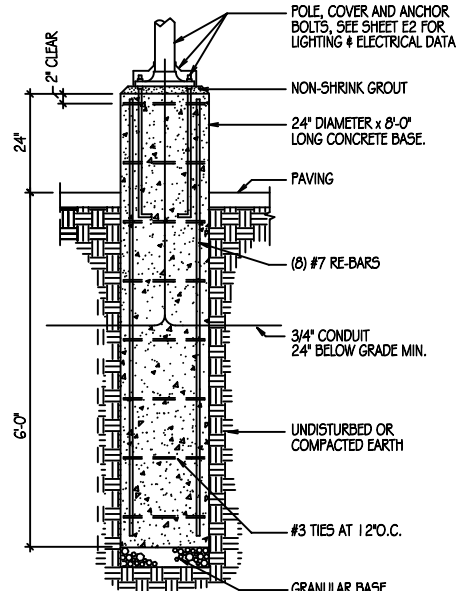
EXPANSION JOINT (EJ)

N.T.S.



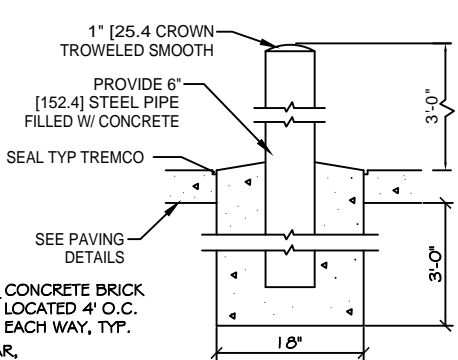
CONTROL JOINT (CJ)

N.T.S.



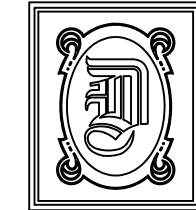
LIGHT POLE DETAIL

N.T.S.



PIPE BOLLARD DETAIL

N.T.S.



DAMMON ENGINEERING, INC.

CHIEF ENGINEER
EMMETT
DAMMON, P.E.

CHIEF ARCHITECT
ROBERT
WILTSE

1095 FLORIDA AVENUE
SLIDELL, LA. 70458
OFFICE: 985-649-5832
FAX: 985-641-5950

WEBSITE:
WWW.DAMMONENGINEERING.COM

EMAIL:
DAMMONENG@BELLSOUTH.NET

ARCHITECTURE
ENGINEERING
STUDIES
PLANNING
INVESTIGATION
EXPERT WITNESS

CECIL BOYD'S
CAR WASH
LOT 5A
EAST HALL ST.
SLIDELL, LA

PAVING
PLAN

REV:

SCALE: AS NOTED

JOB#: 2074

DATE: 09-13-10

SHEET 4

C-3

OF 18