

**DAMMON ENGINEERING, INC.**

CHIEF ENGINEER  
EMMETT  
DAMMON, P.E.

CHIEF ARCHITECT  
ROBERT  
WILTSE

1095 FLORIDA AVENUE  
SLIDELL, LA. 70458  
OFFICE: 985-649-5832  
FAX: 985-641-5950

WEBSITE:  
WWW.DAMMONENGINEERING.COM

EMAIL:  
DAMMONENG@BELLSOUTH.NET

ARCHITECTURE  
ENGINEERING  
STUDIES  
PLANNING  
INVESTIGATION  
EXPERT WITNESS

CECIL BOYD'S  
CAR WASH  
LOT 5A  
EAST HALL ST.  
SLIDELL, LA

ELECTRICAL  
LIGHTING  
PLAN

REV:

SCALE: AS NOTED

JOB#: 2074

DATE: 09-13-10

SHEET 17

**E-2**

OF 18

**LIGHTING LEGEND**

- POLE LIGHT, METAL HALIDE (400W) 208V, PHOTOCCELL CONTROLLED, WITH 20° ANGLED BRACKET AND 25 FEET POLE RATED AT 130 MPH.
- 2'x4' FLUORESCENT LIGHT (128W) 120V 1Ø
- 2'x2' FLUORESCENT LIGHT (100W) 120V 1Ø
- SCOTTSDALE SC320 PSMV PULSE-START METAL HALIDE LIGHT (320W) 120 V 1Ø
- EXHAUST FAN/LIGHT COMBO (90 w EA.)
- EXIT/EMERGENCY LIGHT COMBO W/ 90 MIN. BATTERY BACKUP (12W)
- EXTERIOR WATERPROOF WALL MOUNTED H.P. METAL HALIDE LIGHT (175W)
- EXHAUST VENT/FAN
- SWITCH
- POWER PANEL

**CLECO Power LLC - Electrical Load Summary**

Project Name: Cbo's Soft Touch Carwash  
 Project Address: Lot 5A East Hall Street  
 City / Town: Slidell, Louisiana

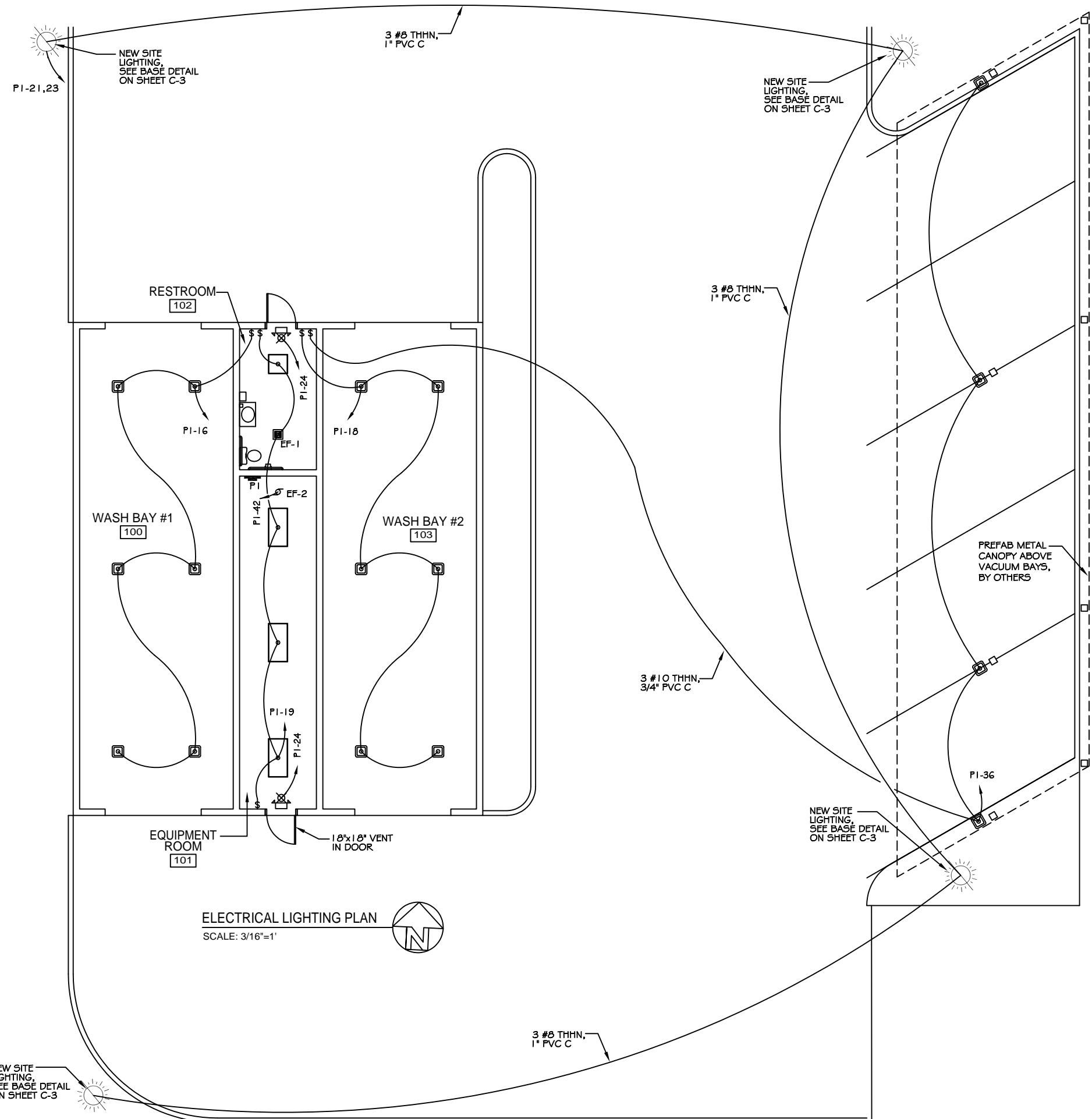
Intended Use: Carwash Business  
 Requested Service: 208/120 Volts 3 Phase 4 Wires  
 Service Entrance Size: 600 Amps  
 HVAC Tonnage: N/A Tons (Suite 1)  
 Largest Motor: 20 HP (Note: Motors above 20 hp may require reduced Voltage starting and are never recommended for use with 208/120V, 3Ø 4W services.)

Total Building Square Footage: 2,190 Square Feet  
 Individual Unit Square Footage: N/A Square Feet (Multiple Occupancy)  
 Individual Unit Designation: N/A (Multiple Occupancy)

LOAD SOURCE	1Ø - kVA	3Ø - kVA	or 1Ø - kW	3Ø - kW
Building Lighting	-	3556	or -	-
Electric Water Heating	-	-	or -	-
Heat Pumps	-	-	or -	-
Supplemental Heat System	-	-	or -	-
Air Conditioning Condensing Units	-	-	or -	-
Electrical Heating (Primary) - AHUS	-	-	or -	-
Cooking	-	-	or -	-
Refrigeration	-	-	or -	-
Receptacles (Standard)	-	2240	or -	-
Receptacles (Computer)	-	-	or -	-
Total Motors (Exclude HVAC)	-	53546	or -	-
Parking Lot / Exterior Lighting	-	4992	or -	-
Miscellaneous - Junction Boxes	-	127976	or -	-
Other (Specify)	-	-	or -	-

**EXHAUST FAN SCHEDULE**

NO.	LOCATION	CFM	VOLTAGE	TYPE	MANUFACTURER
EF1	RESTROOM	100	120	VENT	BROAN
EF2	EQUIPMENT ROOM	1000	120	VENT	BROAN W/THERMOSTAT



**ELECTRICAL LIGHTING PLAN**  
SCALE: 3/16"=1'

