

DAMMON
ENGINEERING, INC.
CHIEF ENGINEER
EMMETT
DAMMON, P.E.
CHIEF ARCHITECT
ROBERT
WILTSE

554 OLD SPANISH TRAIL
SLIDELL, LA, 70458
OFFICE: 985-649-5832
FAX: 985-641-5950

WEBSITE:
WWW.DAMMONENGINEERING.COM
EMAIL:
DAMMONEN@BELL.SOUTH.NET

ARCHITECTURE
ENGINEERING
STUDIES
PLANNING
INVESTIGATION
EXPERT WITNESSES

TIVOLI PLAZA
RENOVATION

1265 GAUSE
BOULEVARD
SLIDELL,
LOUISIANA
70458

FOUNDATION
PLAN

REV:

SCALE: AS NOTED

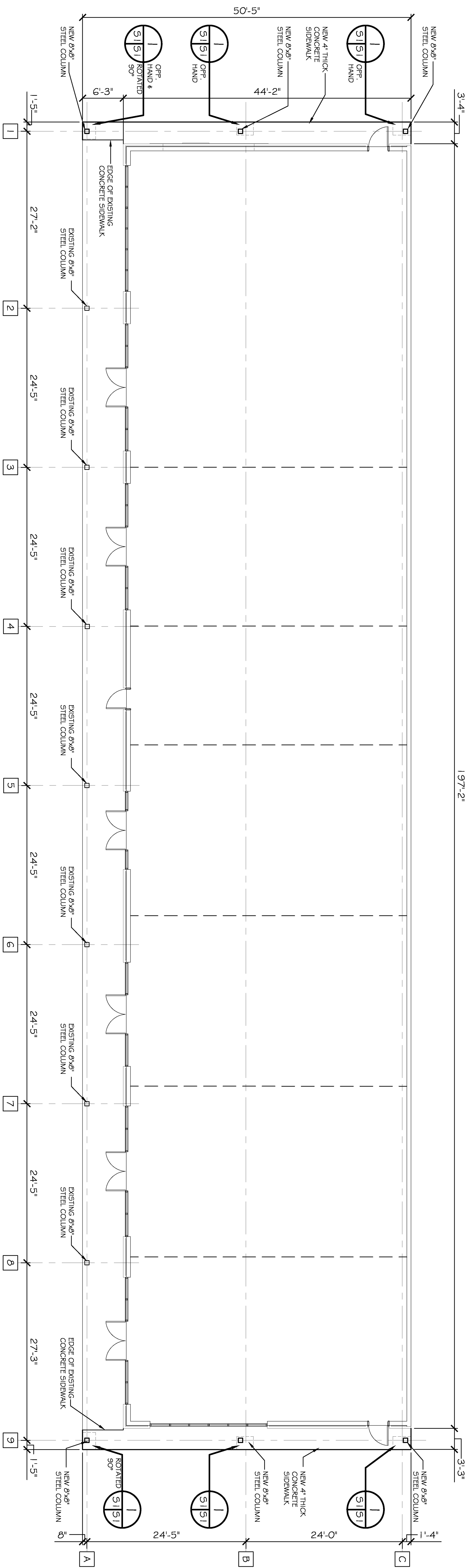
JOB#: 2117

DATE: 07-20-11

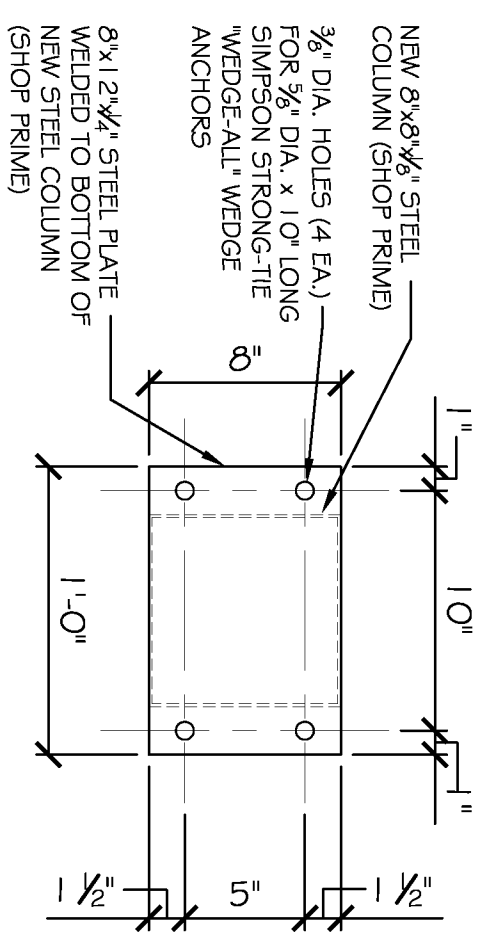
SHEET 3

S-1

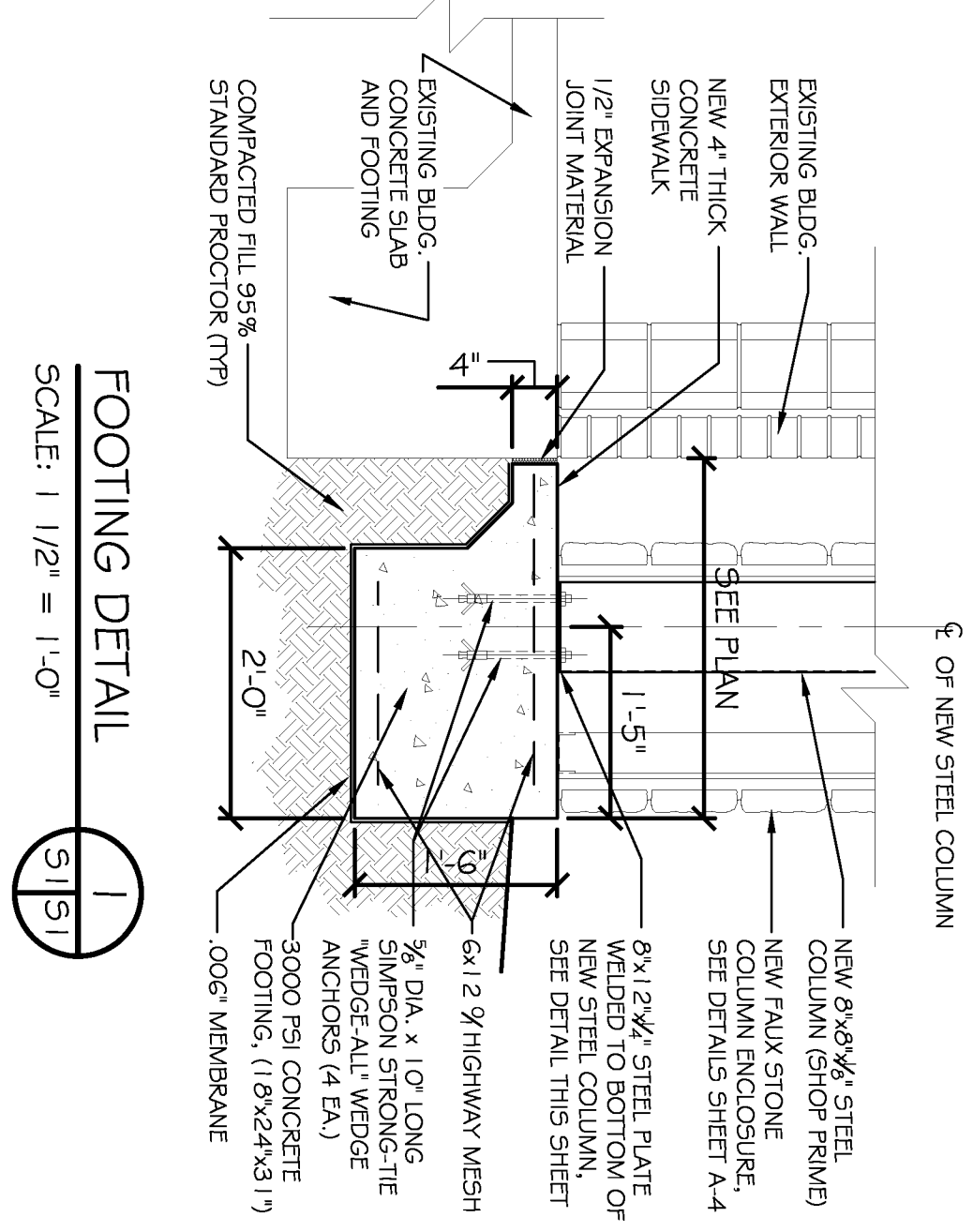
OF 7



FOUNDATION PLAN
SCALE: 1/8" = 1'



NEW COLUMN
BASE PLATE DETAIL
SCALE: 1/2" = 1'-0"



FOOTING DETAIL
SCALE: 1/2" = 1'-0"

- NOTES:**
1. THE CONCRETE MIX SHALL HAVE A MINIMUM COMPRESSIVE STRENGTH OF 3000 PSI, AT 28 DAYS. CONCRETE MIX SHALL BE IN ACCORDANCE WITH ACI-8.
 2. ALL CONVENTIONAL REINFORCING STEEL SHALL MEET ASTM A615 (GRADE 60).
 3. 1 LAYER OF POLYETHYLENE VAPOUR BARRIER SHALL BE PLACED UNDER ALL CONCRETE.
 4. ALL REINFORCING STEEL AND MESH SHALL BE SECURELY SUPPORTED TO PREVENT BOTH VERTICAL AND HORIZONTAL MOVEMENT DURING CONCRETE PLACEMENTS.
 5. THE CONTRACTOR SHALL VERIFY ALL DROPS, OFFSETS, BRICK LEDGES, DIMENSIONS AND CONFIGURATIONS. HE MUST BE RESPONSIBLE FOR SAME.
 6. ALL SUBGRADE FILL SHALL BE SELECT GRANULAR MATERIAL COMPACTED TO 90% STANDARD PROCTOR DENSITY IN A MAXIMUM OF 6" LIFTS.
 7. A MINIMUM OF 4" OF CONCRETE WILL BE MAINTAINED THROUGHOUT THE SLAB.
 8. ALL RUNOFF WATER MUST BE CARRIED AWAY FROM THE SLAB TO PREVENT SATURATION OF THE SUB-BASE.
 9. REMOVE A MINIMUM OF 12" OF EXISTING SOIL AND ALL UNSTABLE SILT PRIOR TO LACING ANY FILL.
 10. TREAT SOIL BELOW SLAB FOR TREATMENTS.