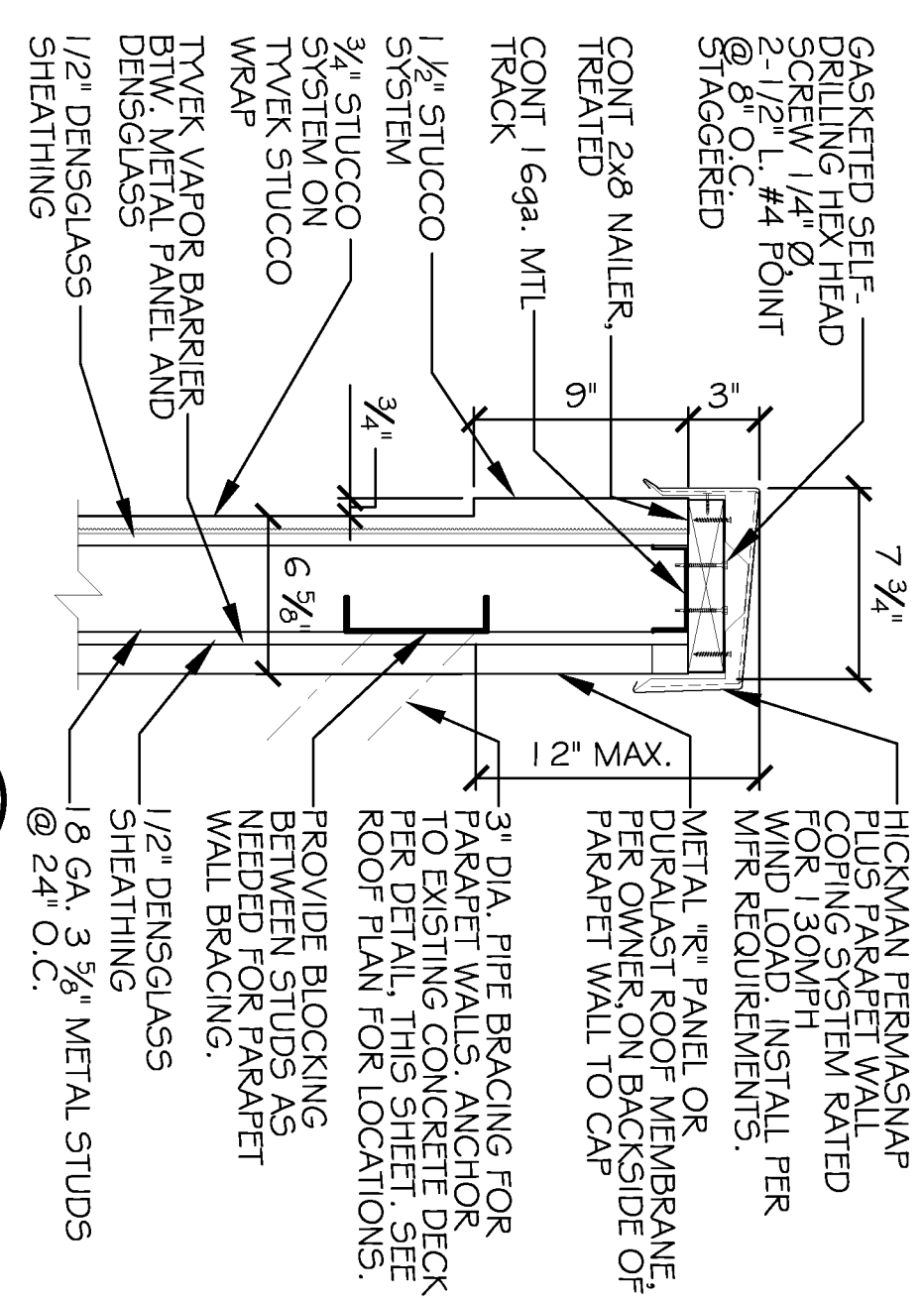
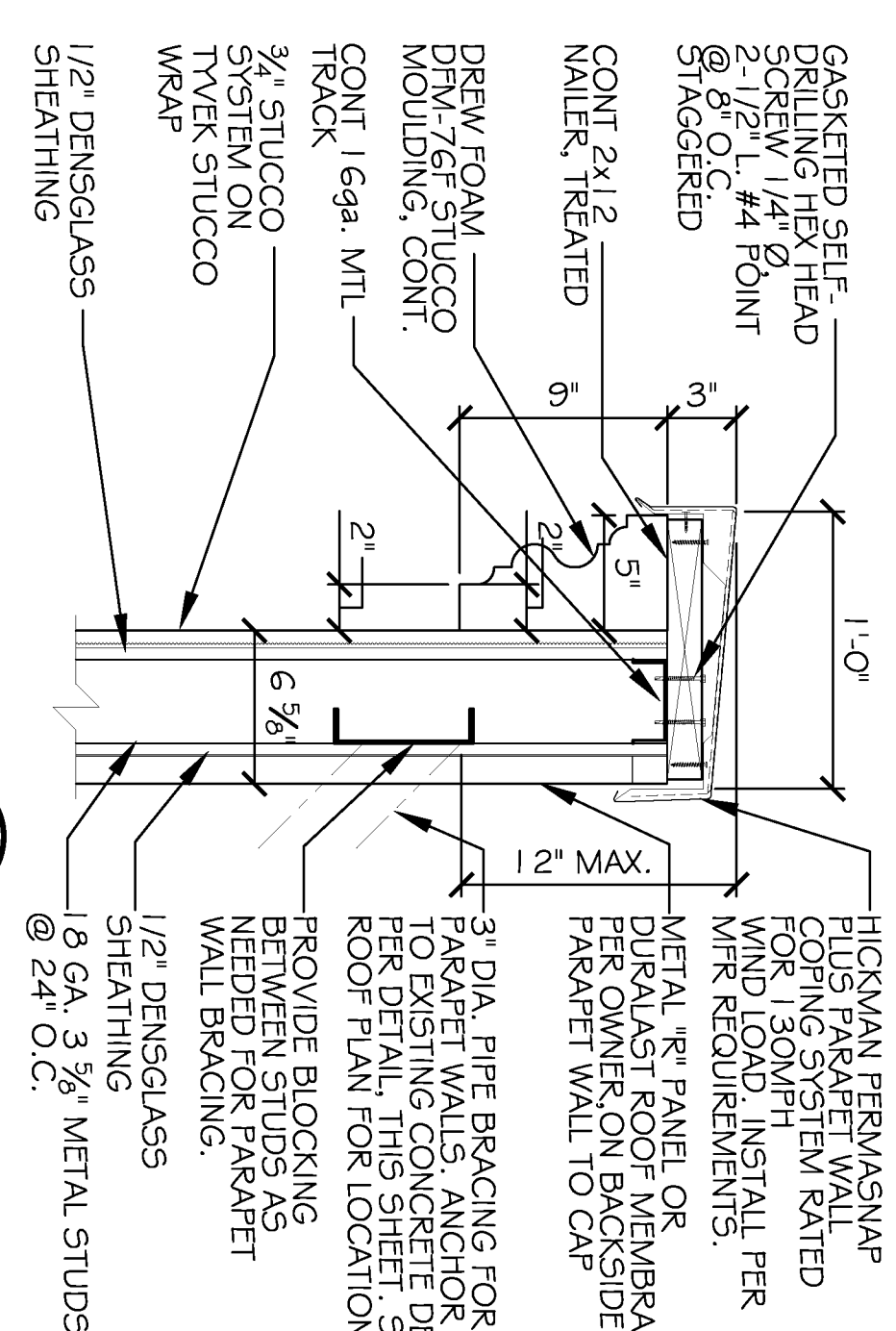


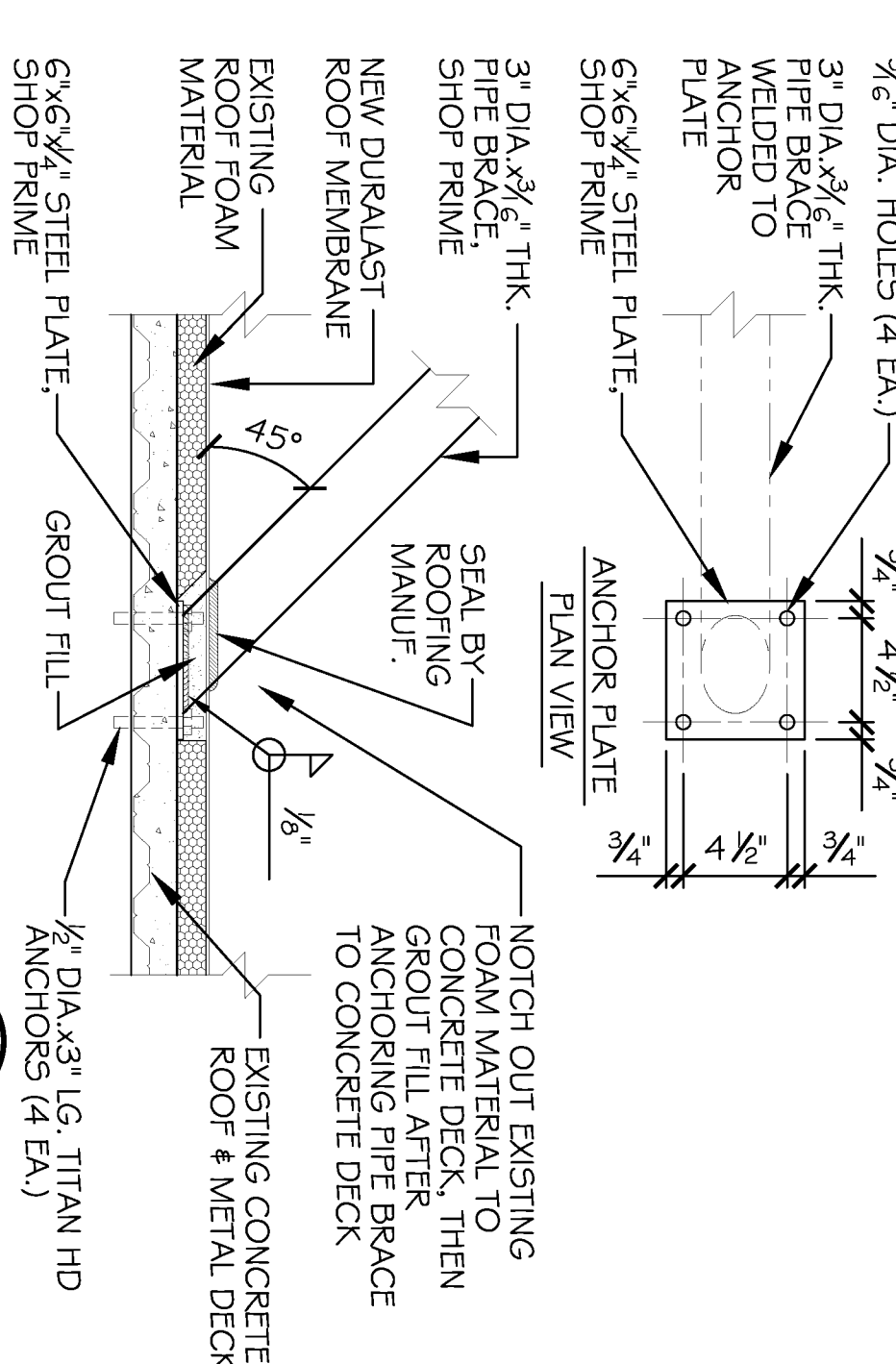
ROOF TO PARAPET SECTION D
SCALE: 1/2"=1'



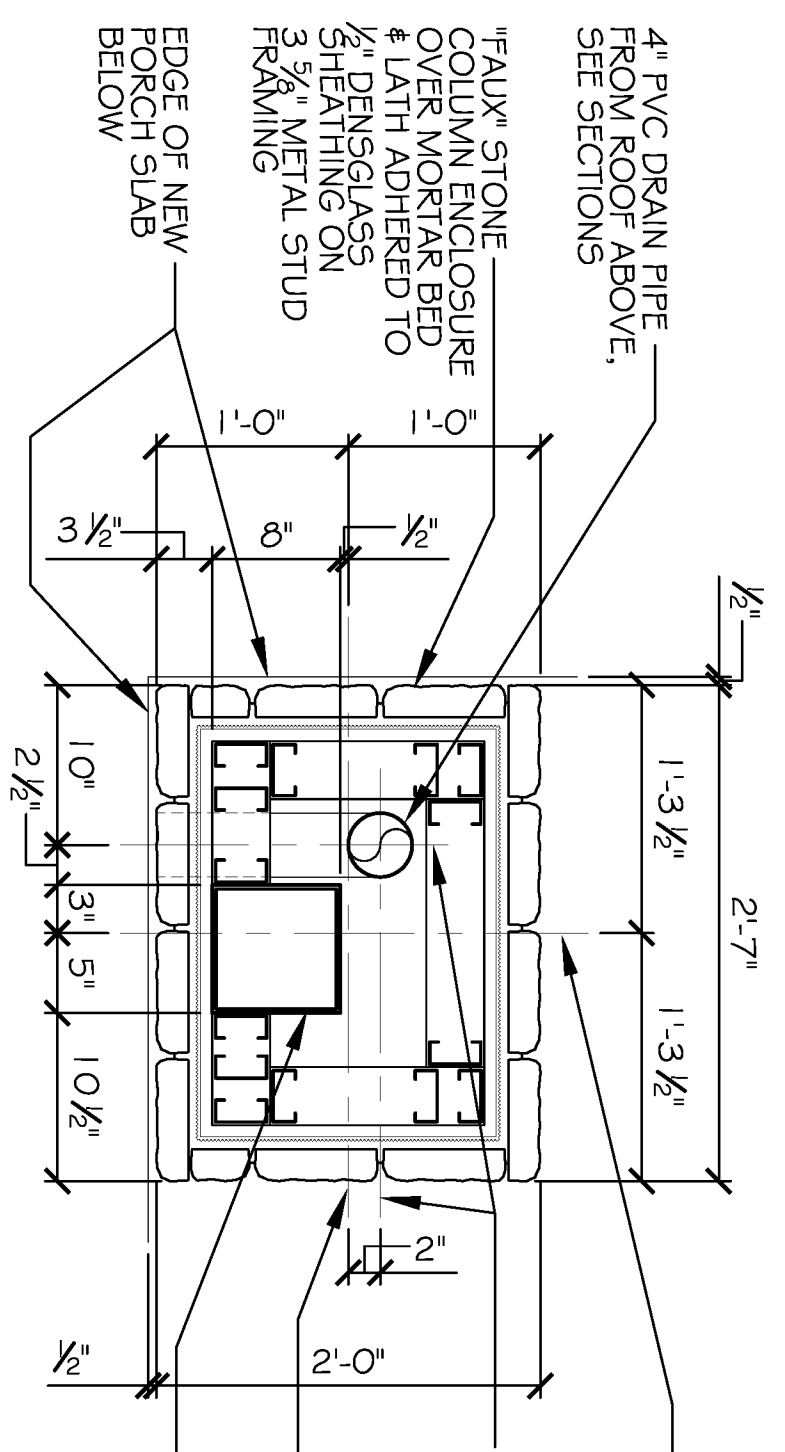
PARAPET SECTION E
SCALE: 1/2"=1'



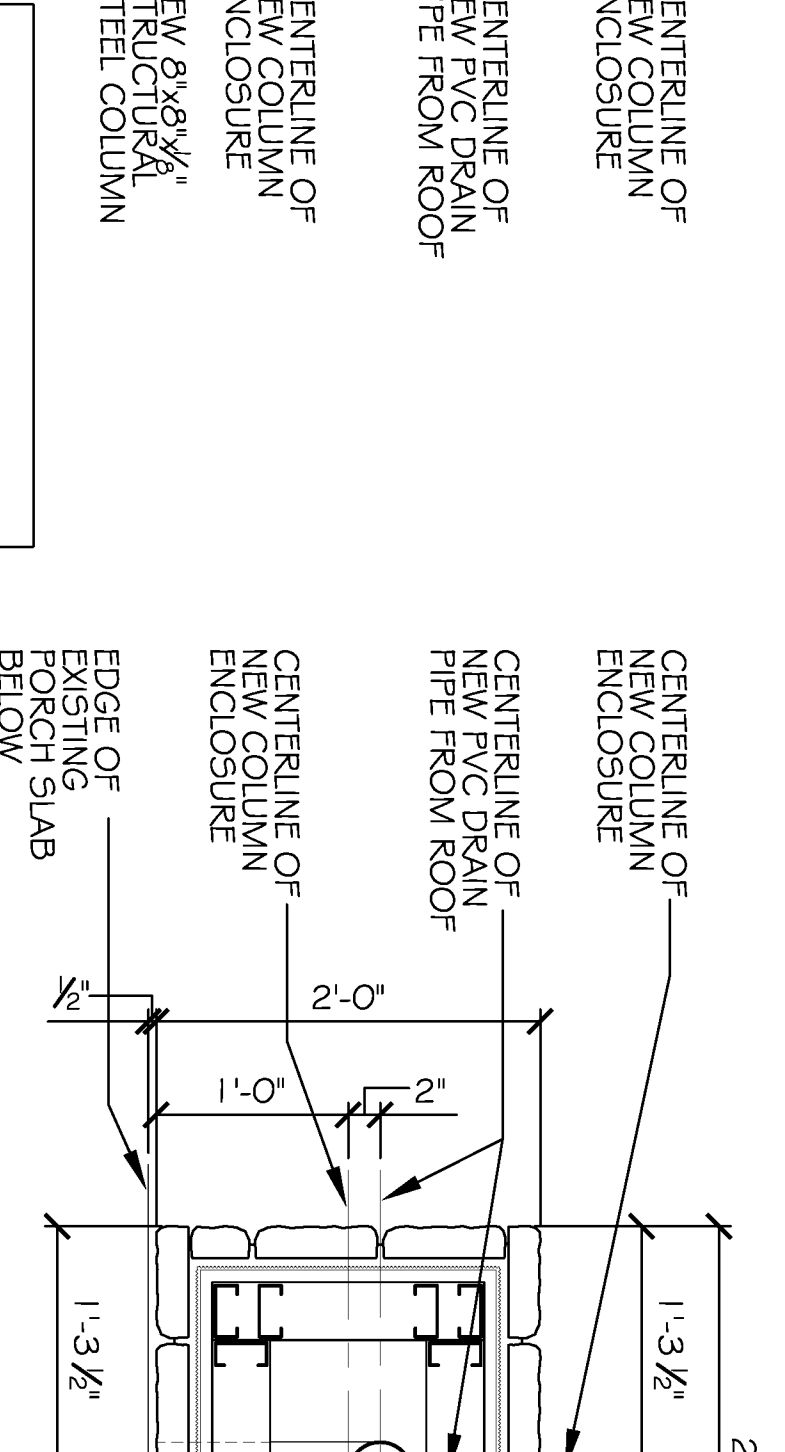
PARAPET SECTION F
SCALE: 1/2"=1'



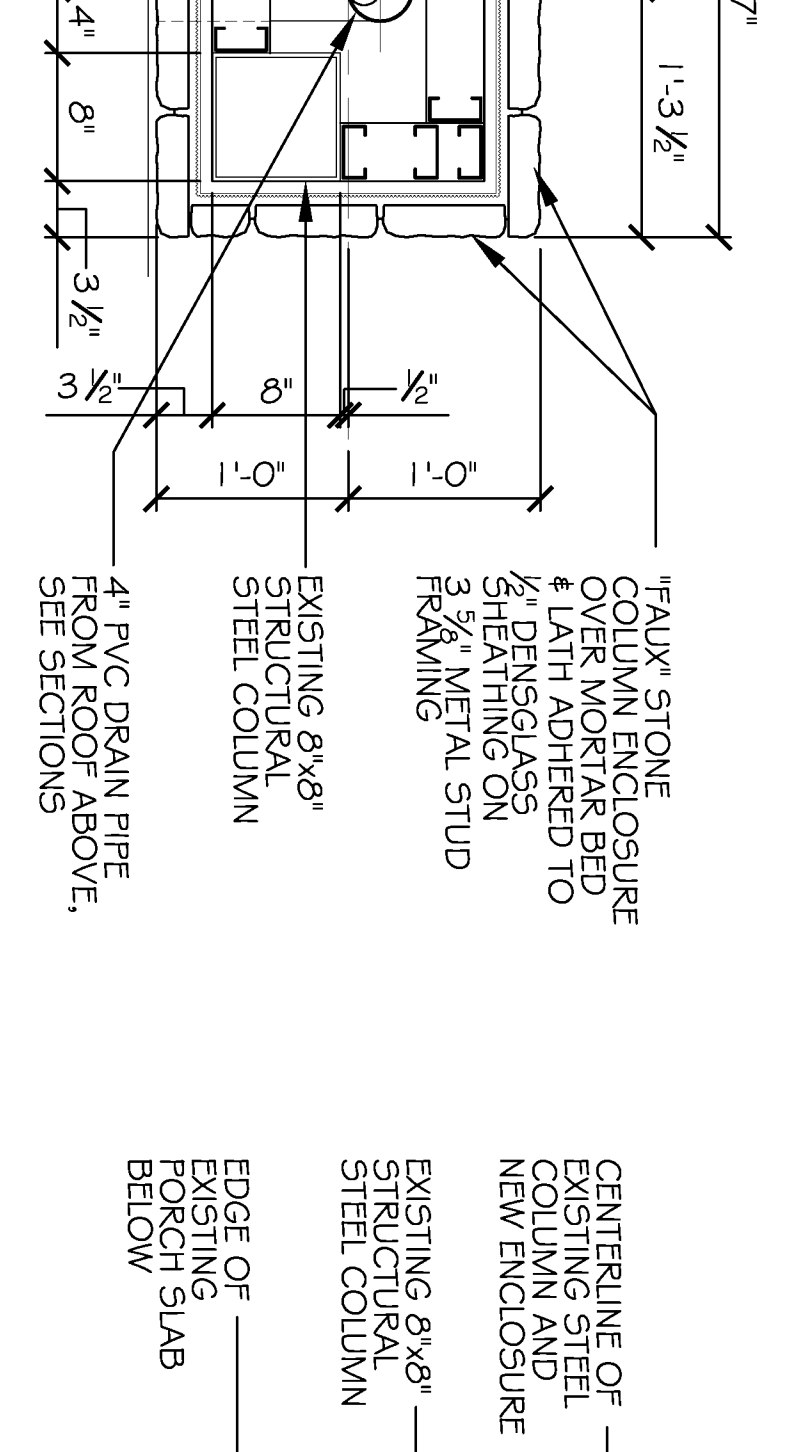
PARAPET BRACE ANCHOR DETAIL G
SCALE: 1/2"=1'



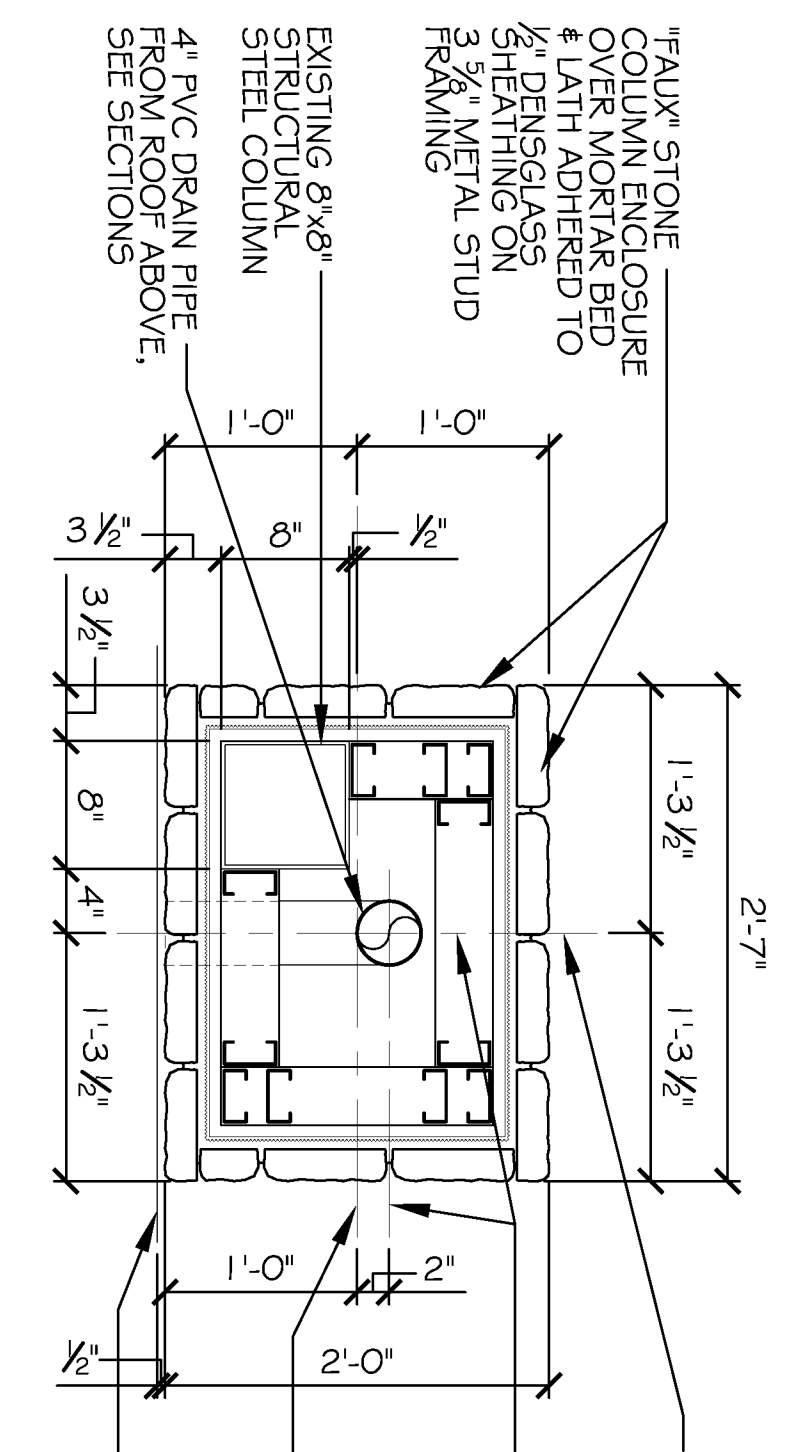
COLUMN ENCLOSURE DETAIL 1
SCALE: 1"=1' COLUMN A-1



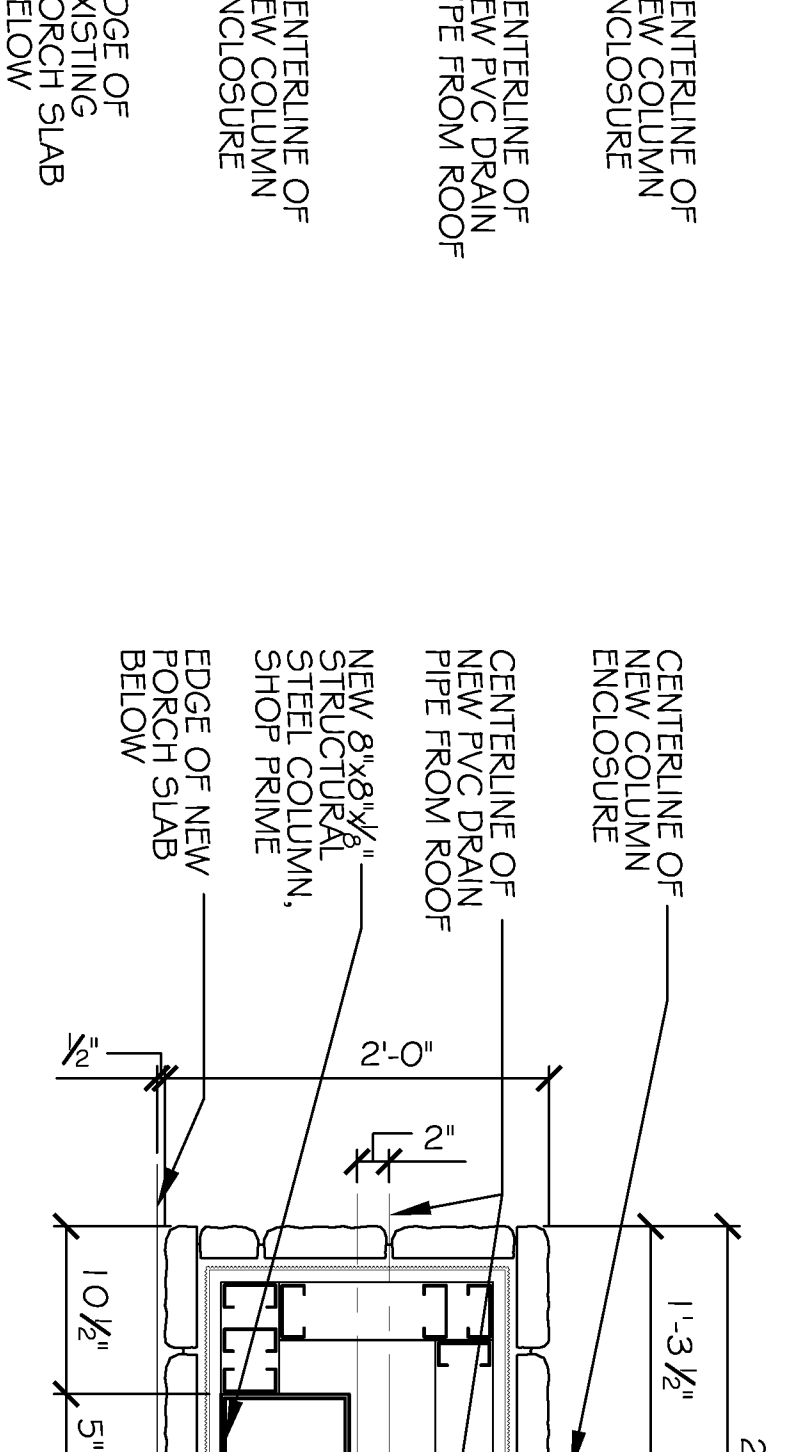
COLUMN ENCLOSURE DETAIL 2
SCALE: 1"=1' COLUMNS A-2, A-3, A-4



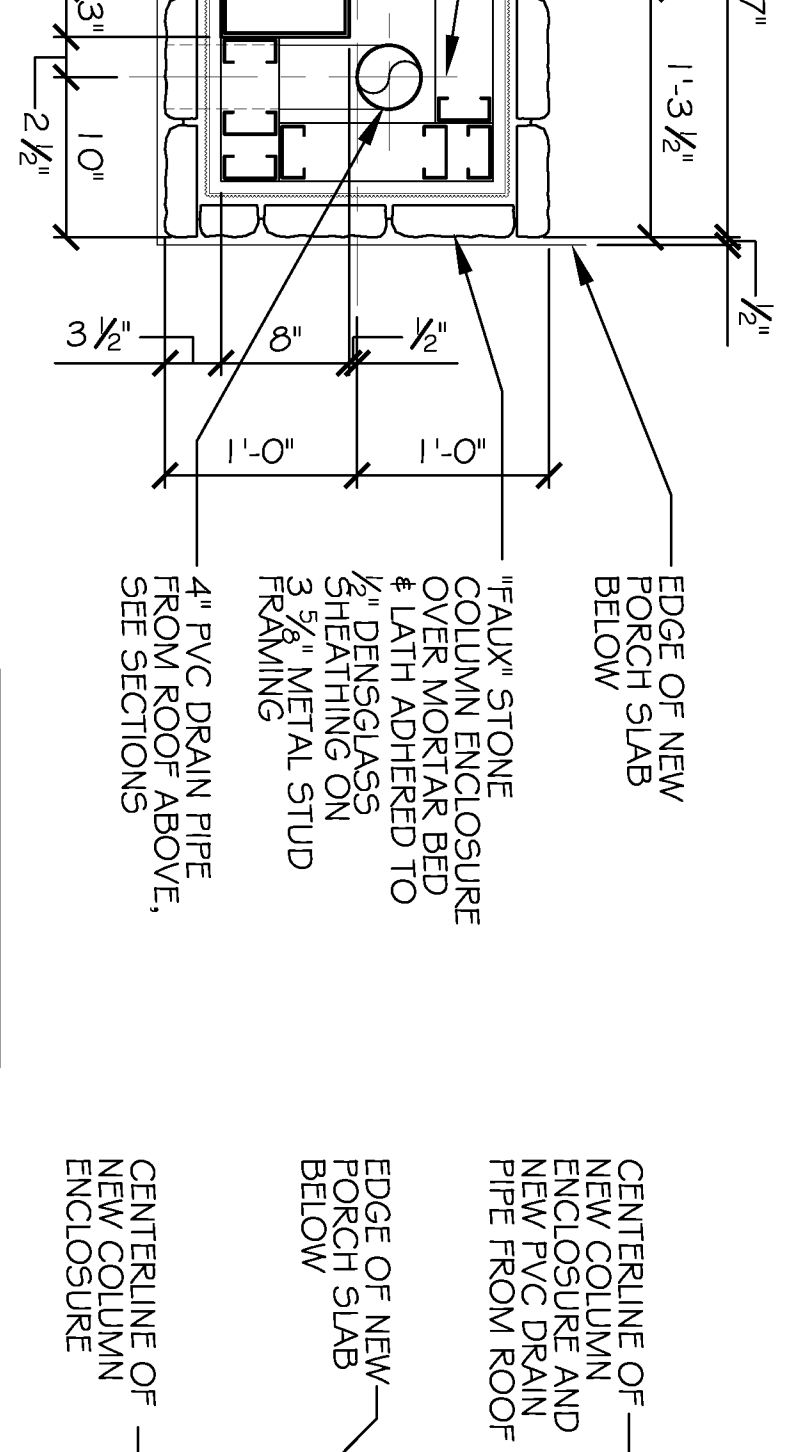
COLUMN ENCLOSURE DETAIL 3
SCALE: 1"=1' COLUMN A-5



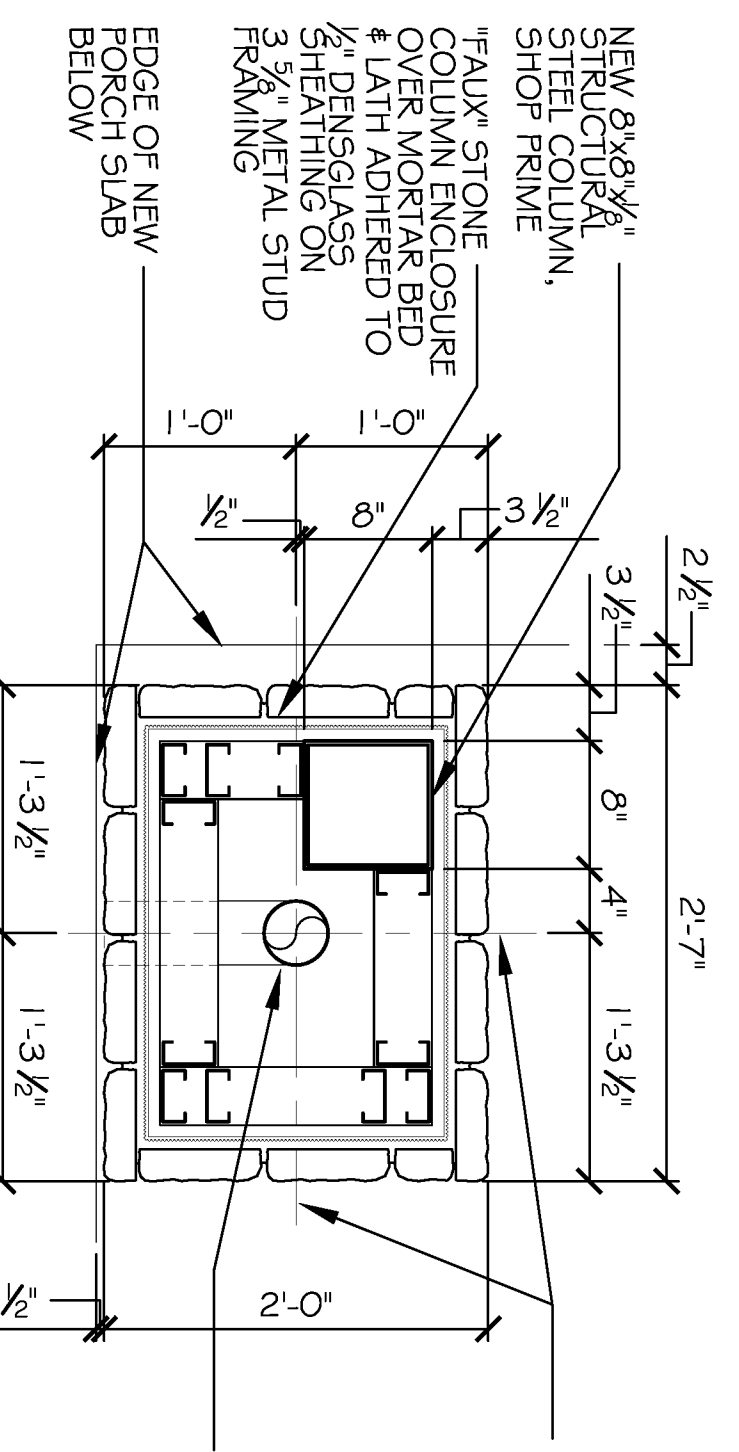
COLUMN ENCLOSURE DETAIL 4
SCALE: 1"=1' COLUMNS A-6, A-7, A-8



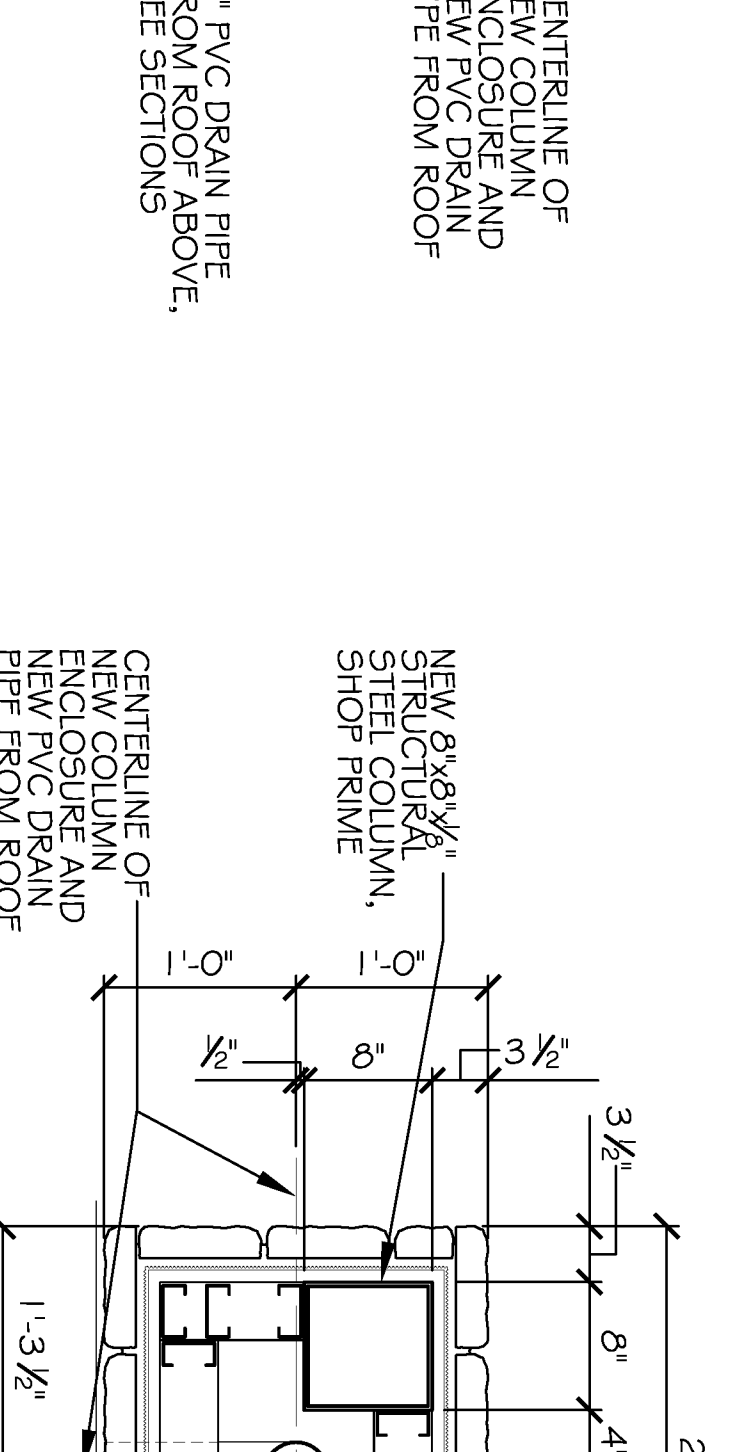
COLUMN ENCLOSURE DETAIL 5
SCALE: 1"=1' COLUMN A-9



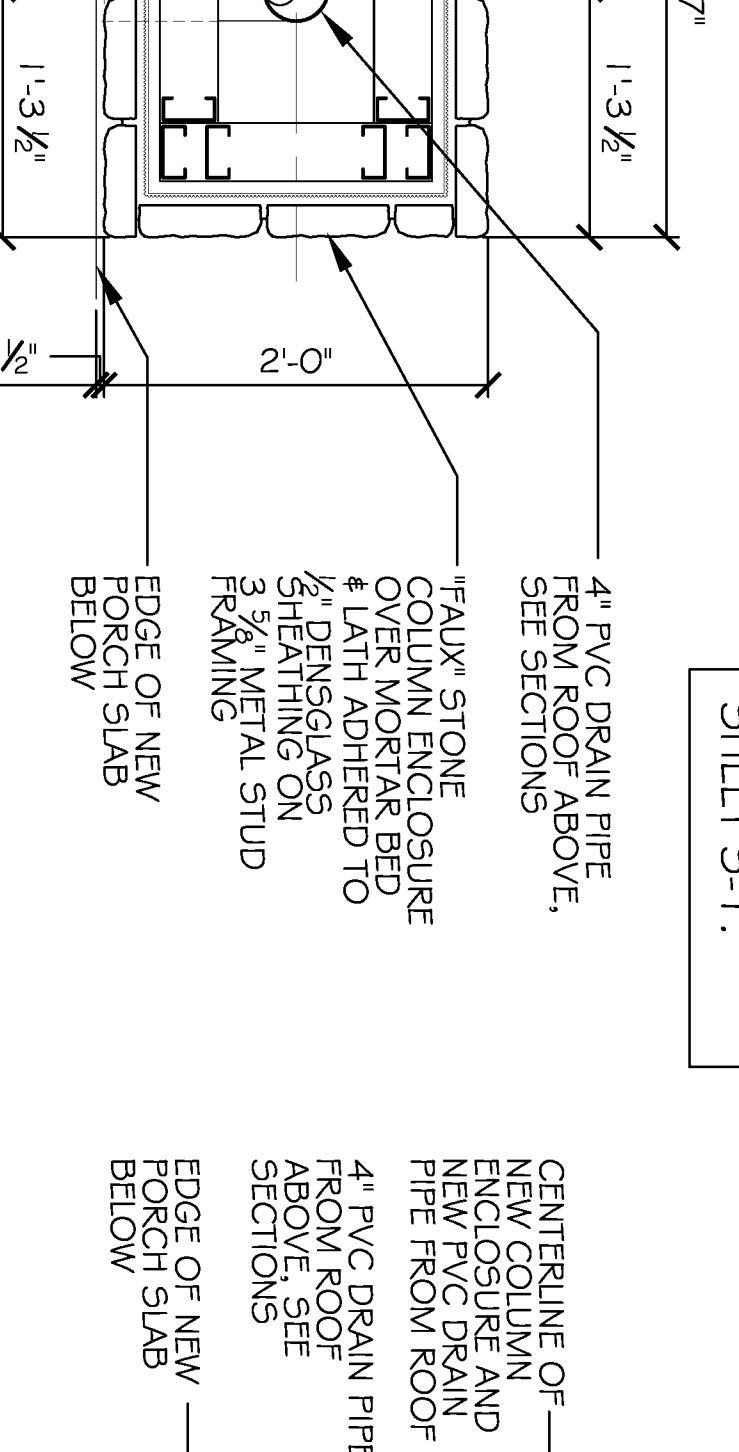
COLUMN ENCLOSURE DETAIL 6
SCALE: 1"=1' COLUMN B-1



COLUMN ENCLOSURE DETAIL 7
SCALE: 1"=1' COLUMN C-1



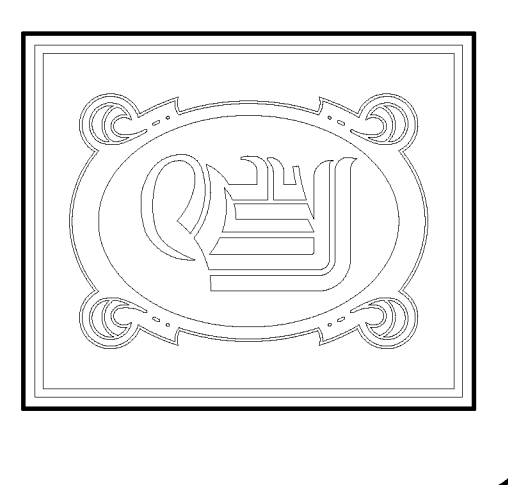
COLUMN ENCLOSURE DETAIL 8
SCALE: 1"=1' COLUMN B-9



COLUMN ENCLOSURE DETAIL 9
SCALE: 1"=1' COLUMN C-9

NOTE: RAWSSET ANCHOR ALL METAL STUD TRACKS IN COLUMN ENCLOSURES TO EXISTING OR NEW CONCRETE

NOTE: FOR NEW COLUMNS, BASE ANCHOR PLATE AND FOOTING DETAILS SEE SHEET S-1.



DAMMON ENGINEERING, INC.
CHIEF ENGINEER
EMMETT DAMMON, P.E.
CHIEF ARCHITECT
ROBERT WILLIAMS

554 OLD SPANISH TRAIL
SLIDELL, LA, 70458
OFFICE: 985-649-5632
FAX: 985-641-5950

WWW.DAMMONENGINEERING.COM
EMAIL:
DAMMONENG@BELL.SOUTH.NET

ARCHITECTURE
ENGINEERING
STUDIES
PLANNING
INVESTIGATION
EXPERT WITNESSES

TIVOLI PLAZA RENOVATION

1265 GAUSE BOULEVARD
SLIDELL, LOUISIANA
70458

NEW ROOF AND COLUMN DETAILS

REV:
SCALE: AS NOTED
JOB#: 2117
DATE: 07-20-11
SHEET 7