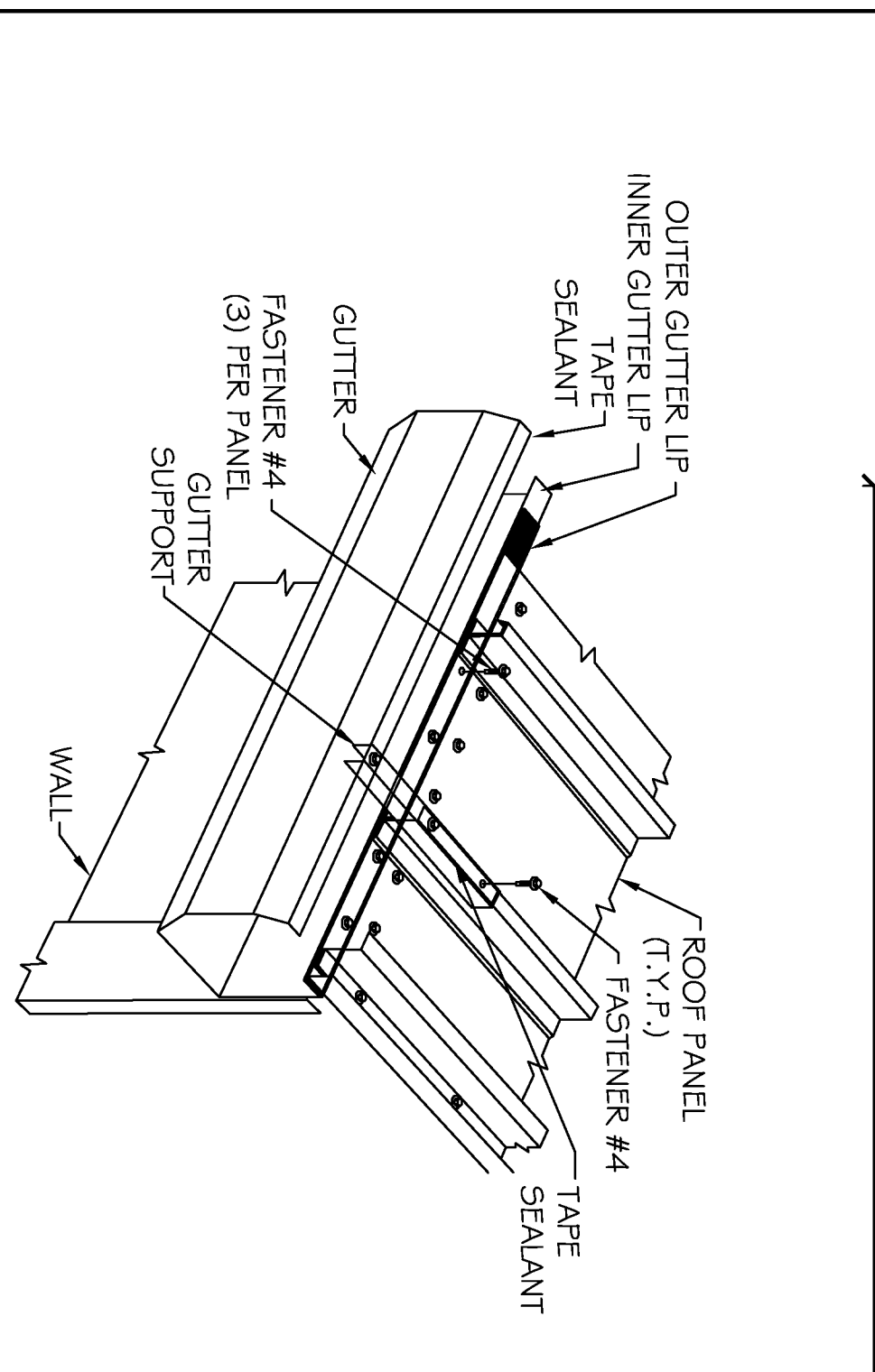


PRE-ENGINEERED METAL BUILDING
 SCALE: 3/8" = 1'-0"
 SECTION A-A/A2

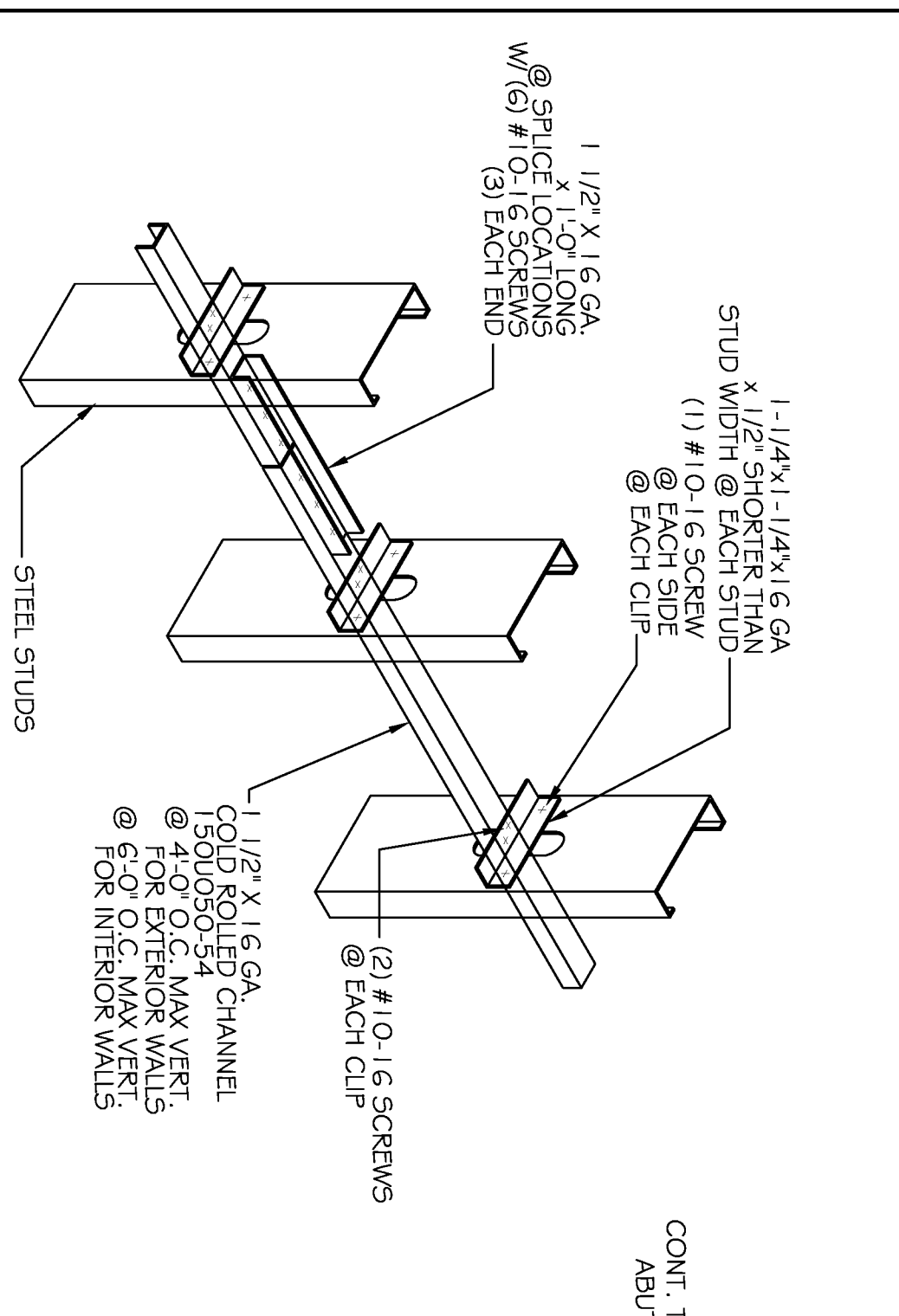


MBMFR GUTTER SYSTEM
 SCALE: N.T.S.

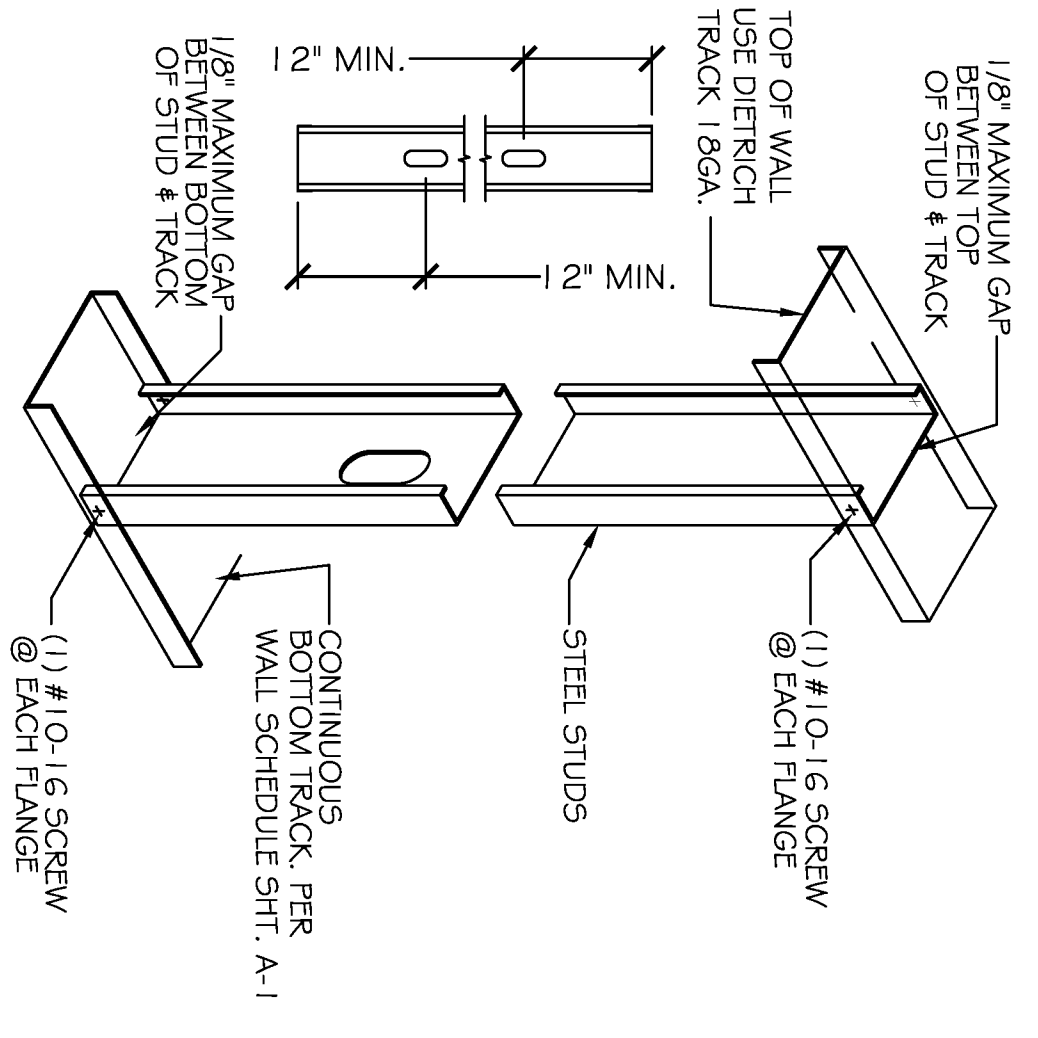
WINDBORNE DEBRIS PROTECTION FASTENING SCHEDULE FOR WOOD STRUCTURAL PANELS

FASTENER TYPE	FASTENER SPACING	
	PANEL SPAN ≤ 4 FOOT	PANEL SPAN ≤ 8 FOOT
2-1/2" x 1/4" WOOD SCREWS	16"	12"
2-1/2" x 1/4" WOOD SCREWS	16"	12"

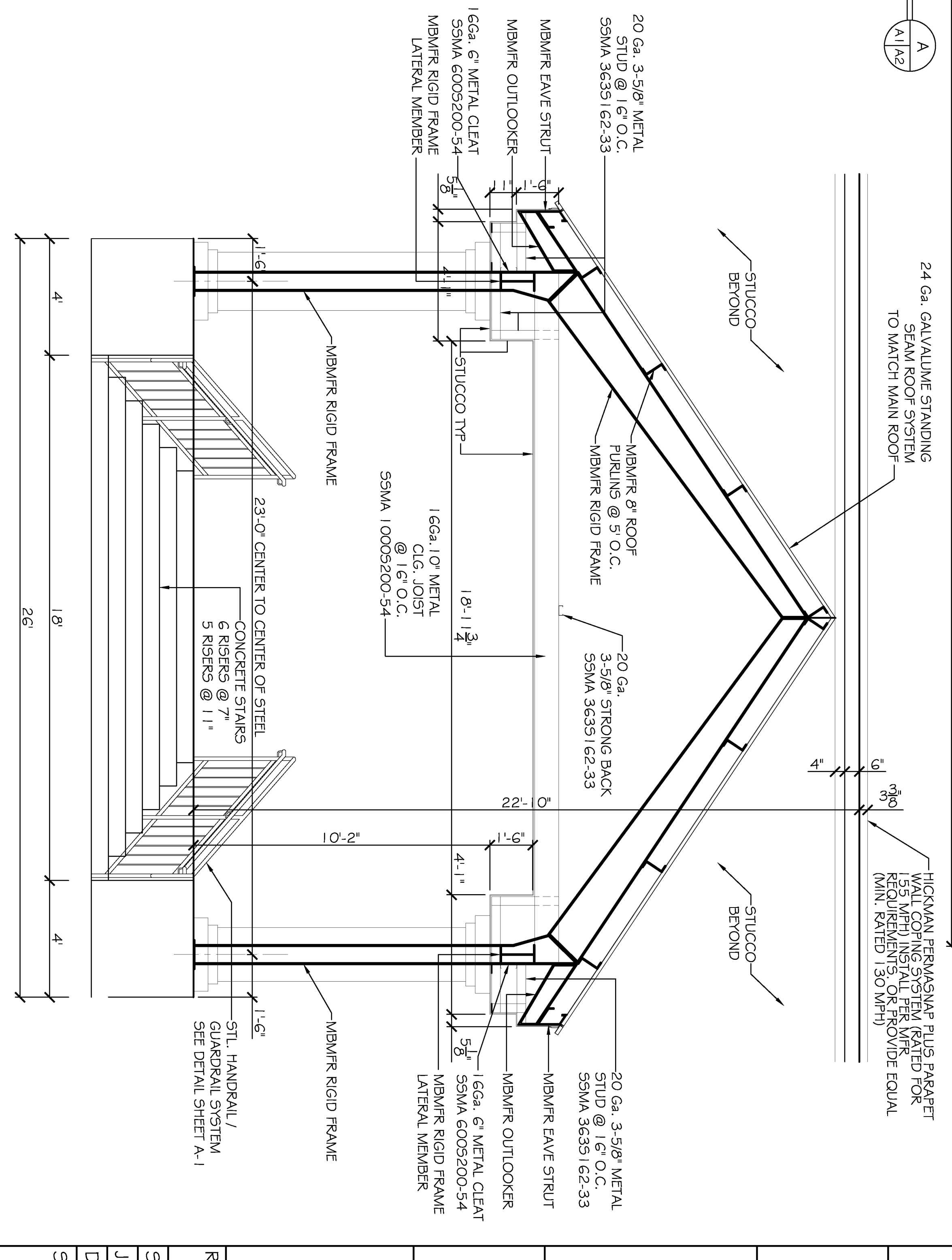
WINDOWS IN BUILDINGS LOCATED IN WIND BORNE DEBRIS REGIONS SHALL HAVE GLAZED OPENINGS PROTECTED FROM WINDBORNE DEBRIS. WOOD STRUCTURAL PANELS WITH A MIN. THICKNESS OF 7/16" AND A MAX. SPAN OF 8 FEET SHALL BE PERMITTED FOR OPENING PROTECTION IN ONE AND TWO STORY BUILDINGS. PANELS SHALL BE PRECUT TO COVER THE GLAZED OPENINGS WITH ATTACHMENT HARDWARE PROVIDED.



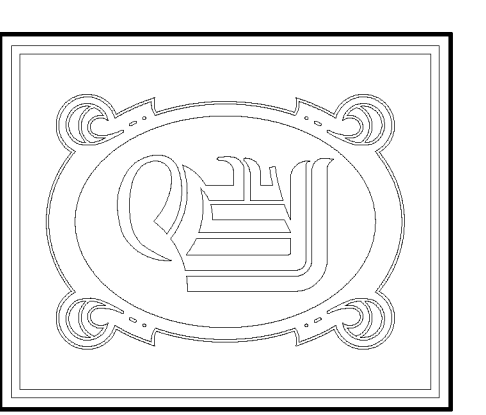
HORZ. BRACING DETAIL
 SCALE: N.T.S.



TRACK CONNECTION DETAIL
 SCALE: N.T.S.



BUILDING SECTION
 SCALE: 3/8" = 1'-0"
 SECTION A-A/A2



DAMMON ENGINEERING, INC.
 CHIEF ENGINEER
 ENNETT DAMMON, P.E.
 CHIEF ARCHITECT
 ROBERT WILTSE

554 OLD SPANISH TRAIL
 SLIDELL, LA. 70458
 OFFICE: 985-649-5632
 FAX: 985-641-5950

WWW.DAMMONENGINEERING.COM
 EMAIL: DAMMONENG@BELL.SOUTH.NET

ARCHITECTURE
 ENGINEERING
 STUDIES
 PLANNING
 INVESTIGATION
 EXPERT WITNESS

REV: _____
 SCALE: AS NOTED
 JOB#: _____
 DATE: XX-XX-07
 SHEET

A-2