

PLUMBING PLAN
SCALE: 1/8" = 1'-0"

CONTRACTOR TO FIELD
LOCATE EXISTING
SANITARY SEWER.

PLUMBING NOTES

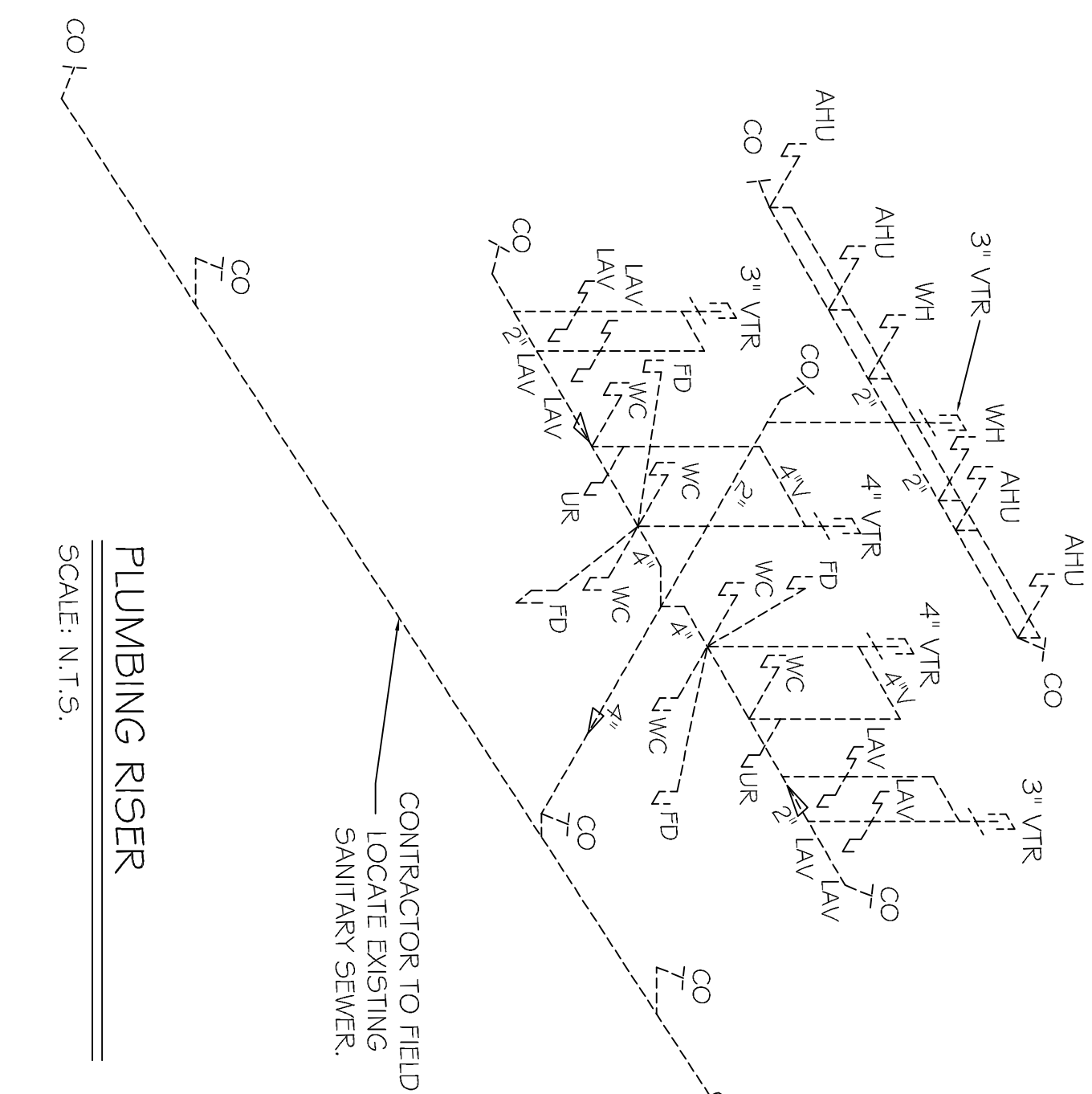
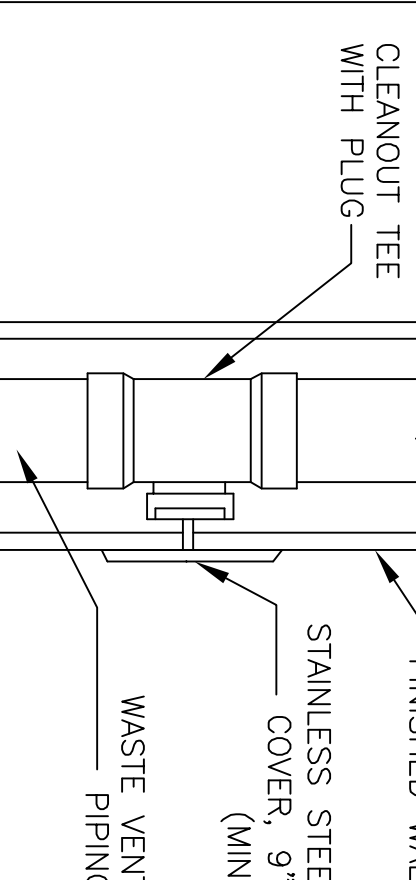
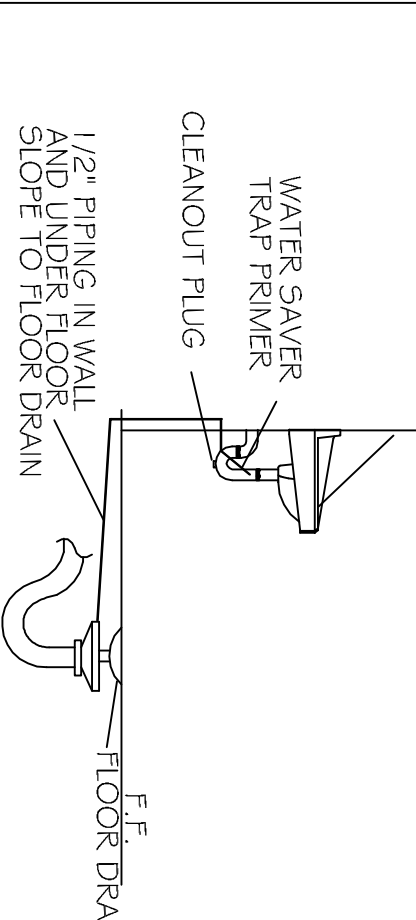
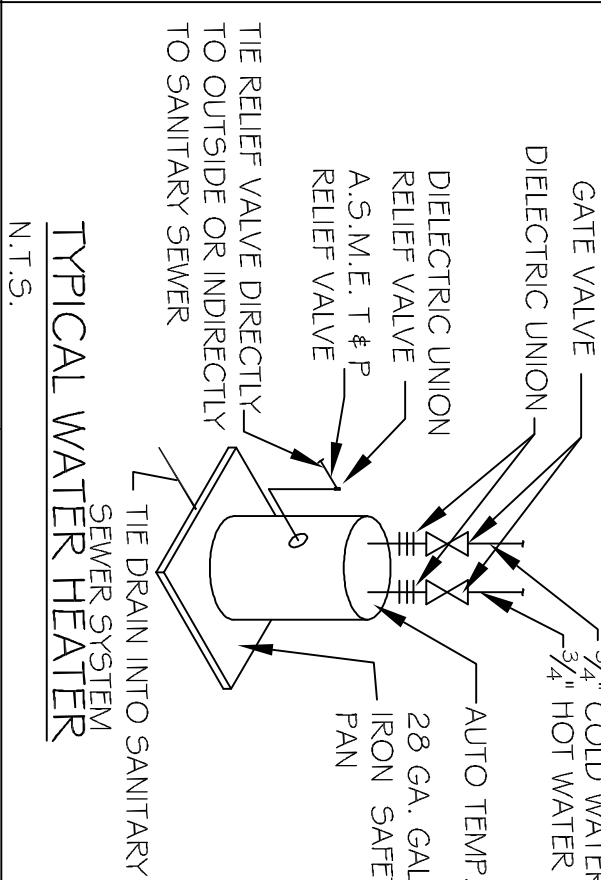
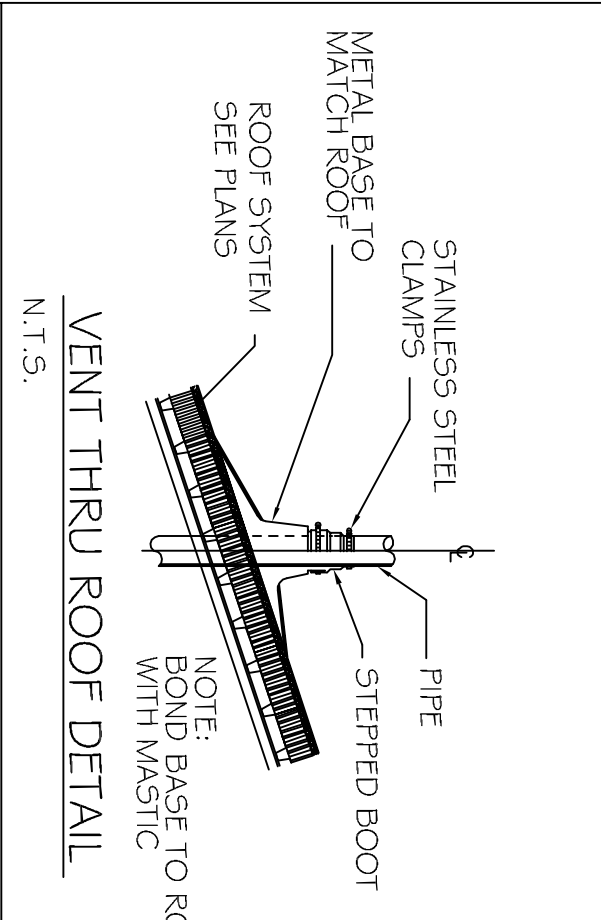
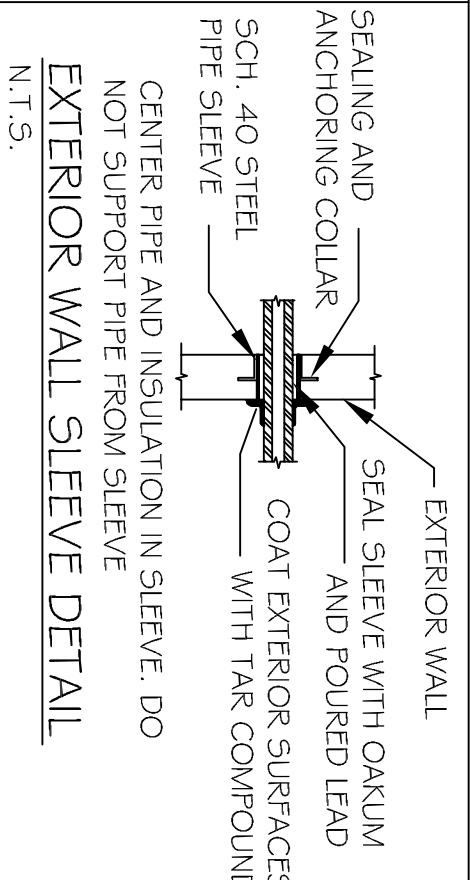
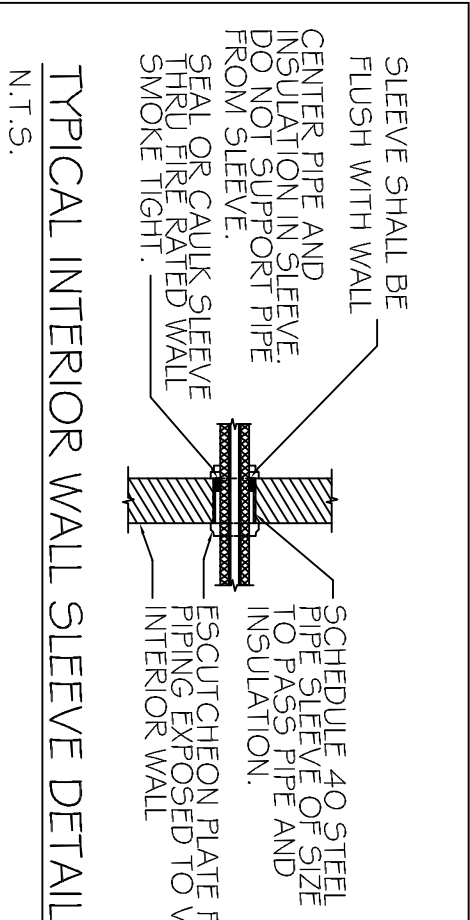
1. PROVIDE ALL LABOR, MATERIAL AND EQUIPMENT FOR A COMPLETE OPERATING SYSTEM. THE SYSTEM SHALL INCLUDE HOT AND COLD WATER PIPING, WATER HAMMER ARRESTORS, SEWER AND VENT PIPING, INSULATION, WATER HEATER, HANGERS, VALVES AND SUPPORTS WITHOUT ANY RESTRICTIONS TO COLUMN, CUT AND PATCH AS REQUIRED TO INSTALL PIPES.
2. ALL WORK AND MATERIAL SHALL CONFORM STRICTLY TO THE LATEST LOCAL, CITY, PARISH, STATE AND NATIONAL GOVERNING CODES.
3. CONTRACTOR IS TO FIELD VERIFY ALL EXISTING UTILITY LOCATIONS, ELEVATIONS AND SIZES PRIOR TO COMMENCING ANY WORK. CONTRACTOR SHALL PAY NECESSARY FEES FOR THE UTILITIES CONNECTIONS AND DRAINAGE PIPES.
4. CONTRACTOR IS RESPONSIBLE TO VERIFY THE EXISTING INVERTS AND SET NEW INVERTS OF SEWERAGE SEWERAGE LINES 3-INCH AND SMALLER SHALL BE SLOPED 1/4" PER FOOT AND LINE 4-INCH AND LARGER SHALL BE 1/8" PER FOOT.
5. TEST ALL PIPING AT REQUIRED PRESSURE.
6. ALL PLUMBING SHALL BE CLOSELY COORDINATED WITH STRUCTURAL SYSTEM, MECHANICAL SYSTEM AND ELECTRICAL TO INSURE NO TRADES WILL CONFLICT WITH EACH OTHER.
7. DO NOT SCALE DRAWINGS. SEE ARCHITECTURAL DRAWINGS FOR EXACT LOCATIONS OF DOORS, WINDOWS, WALLS, FIXTURES, ETC.
8. ALL WATER MAINS AND PIPING NOT SHOWN FOR CLARITY. ALL LOCATIONS FIELD VERIFIED.
9. DOMESTIC HOT AND COLD WATER PIPING AND FITTINGS UNDER SLAB SHALL BE ASTM B88 COPPER WATER TUBE, TYPE K SOFT ANNEALED. NO JOINTS SHALL BE ALLOWED UNDER THE SLAB.
10. DOMESTIC WATER PIPING AND FITTINGS ABOVE THE SLAB SHALL BE ASTM B88 COPPER WATER TUBE, TYPE L HARD DRAWN WITH COPPER PRESSURE TYPE FITTINGS, ANSI B16.22. THE JOINTS SHALL BE SOLDERED USING ASTM B32, ALLOY GRADE 95A (95-5) SOLDER.
11. SOIL, WASTE, VENT PIPING AND FITTINGS ABOVE THE SLAB SHALL BE SERVICE WEIGHT CAST IRON PIPE WITH BELL AND SPIGOT ENDS AND ONE PIECE NEOPRENE INSERT TYPE GASKET. USE PVC SCHEDULE 40 OR ABS DWV PIPES AND FITTINGS WHERE PERMITTED BY CODE.
12. ALL WATER PIPING AND FITTINGS ABOVE THE FLOOR SHALL BE INSULATED WITH 1/2" THICK FIBERGLASS INSULATION AND JACKET.
13. ALL ELECTRICAL, MECHANICAL AND PLUMBING PENETRATING FIRE PARTITIONS SHALL BE FIRE CAULKED. (PENETRATIONS THROUGH RATED CONSTRUCTION SHALL BE SEALED WITH A MATERIAL CAPABLE OF PREVENTING THE PASSAGE OF FLAMES AND HOT GASES WHEN TESTED IN ACCORDANCE WITH ASTM E814.)
14. ALL PLUMBING LINES SHOWN ARE DIAGRAMMATIC.

PLUMBING FIXTURE SCHEDULE

| MARK | DESCRIPTION | TYPE | ROUGH-IN SIZES | NOTES |
|------|--------------------|-----------|--------------------------|-------|
| WC | H.C. WATER CLOSET | TANK | 4" x 34" | 2, 3 |
| LAV | H.C. LAVATORY | WALL HUNG | 2" x 12" x 12" x 1, 2, 3 | |
| FD | FLOOR DRAIN | - | 2" - 2" x 34" | 4 |
| WH | WATER HEATER DRAIN | - | 1" x 2" x 34" | 34" |
| AHU | AHU DRAIN | - | 1" x 2" x 1/2" | - |
| SHW | SHOWER | - | 2" x 2" x 1/2" | 1/2" |

FIXTURE NOTES:

1. INSULATE PIPING FOR HANDICAP FIXTURES.
2. PROVIDE CHAIR CARRIER FOR WALL HUNG FIXTURES.
3. H.C. - HANDICAP FIXTURE
4. INSTALL CONTINUOUS DRIP VALVE ON ALL FLOOR DRAINS.



CONTRACTOR TO FIELD
LOCATE EXISTING
SANITARY SEWER.

PLUMBING RISER
SCALE: N.T.S.

| REVISIONS | | DATE |
|-----------|-------------|------|
| # | DESCRIPTION | |
| | | |
| | | |

**OLDE TOWN SLIDELL
FIRE DAMAGE REHABILITATION**
227 & 2565 COUSIN STREET
SLIDELL, LA
70455

JOB No: 2146 DATE: 07-13-2012
DRAWN BY: BSN CHECKED BY: BSN

J:\DAMMON\Dammon Logo\Dammon Logo.jpg

CHIEF ENGINEER: EMMETT DAMMON, P.E.
CHIEF ARCHITECT: ROBERT WILTSE
554 OLD SPANISH TRAIL
SLIDELL, LA 70458

dammonengineering.com
dammoneng@bellsouth.net
PHONE: 985-649-5832
FAX: 985-641-5950