

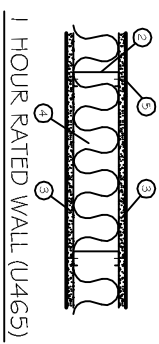
DOOR # HARDWARE SCHEDULE						
MARK	SIZE	DOOR TYPE	FRAME	HWDR NO.	STC	REMARKS
EXTERIOR DOORS						
1	-3/4x30x6/8	SOLID WD. W/SIDE LITES	GAUV. PTD. HOL. MET.	1	NA	
2	-3/4x30x6/8	FLUSH GAUV. STEEL INSULL	GAUV. PTD. HOL. MET.	1	NA	GALVANIZING TO BE G90
INTERIOR DOORS						
3	-3/4x30x6/8	FLUSH SOLID CORE W/.	PTD. HOL. MET.	2	NA	

DOOR HARDWARE SCHEDULE IS:
 1. PROVIDE NEW HARDWARE; 1.1870 PANEL, ALTHO COLOR, MATCHES SHOWN;
 2. ALTHO COLOR

WINDOW SCHEDULE		
MARK	SIZE (WxH)	REMARKS
A	50x70	CUSTOM MADE TO FIT EXISTING OPENING TO MATCH EXISTING FIELD VERIFY
B	40x70	CUSTOM MADE TO FIT EXISTING OPENING FIELD VERIFY

LEGEND:	DESCRIPTION
SAIT	SUSPENDED ACCOUSTICAL TILE
CT	CERAMIC TILE
CPRT	CARPETED TILE
RB	RUBBER BASE 4" HIGH
GR	5/8" SHEET ROCK

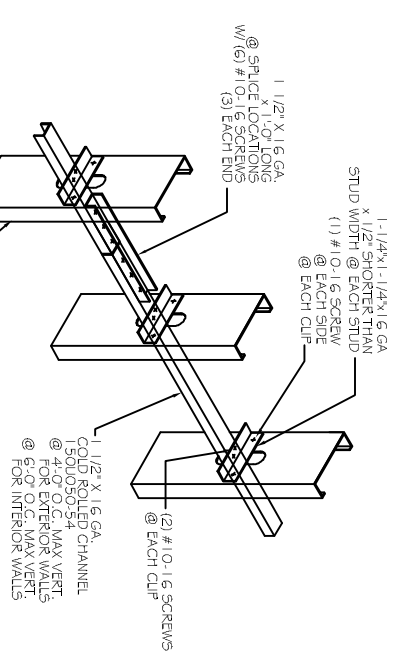
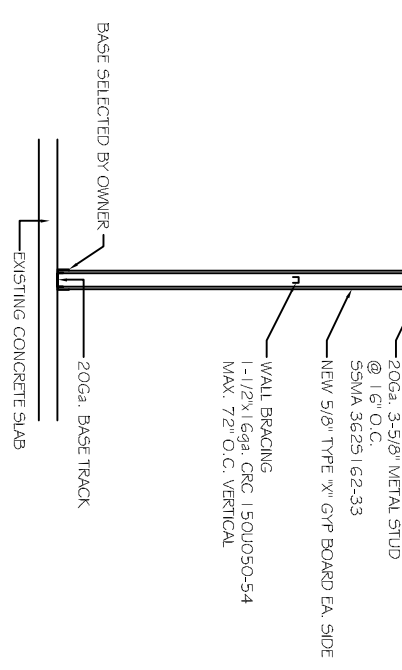
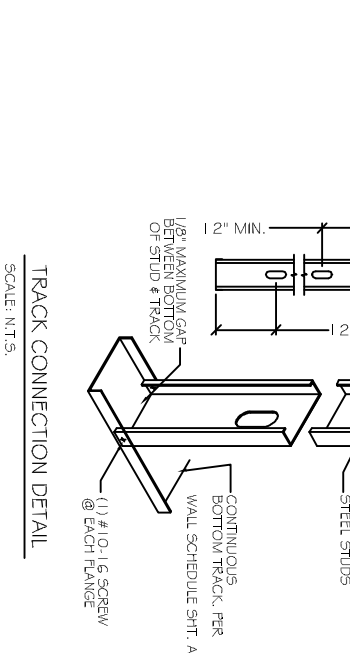
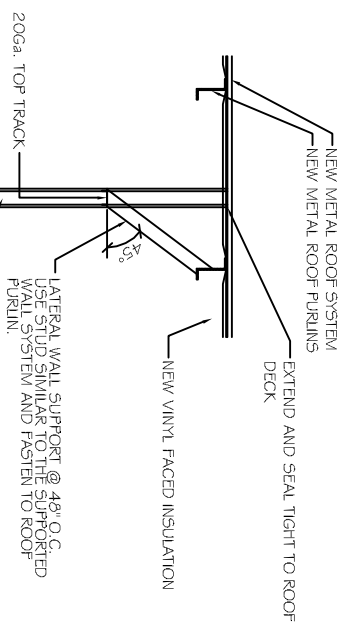
FINISH SCHEDULE							
ROOM NUMBER	ROOM NAME	WALLS	EXTEND WALL TO ROOF DECK (CRP. OR D.E.C. ON)	FLOOR	WALL BASE	WAINSCOT	CEILING
100	FUTURE TENANT	N/A	N/A	N/A	NA	NA	OPEN
101	FUTURE TENANT	N/A	N/A	N/A	NA	NA	OPEN
102	WOMEN'S ROOM	5/8" GYP. BD. PTD.	N/A	CT	CT	4" MIN. CT	5/8" GYP. BD. PTD.
103	MEN'S ROOM	5/8" GYP. BD. PTD.	N/A	CT	CT	4" MIN. CT	5/8" GYP. BD. PTD.



- U465**
- FLOOR AND CEILING RUNNER: (NOT SHOWN) 25 MSG MIN. GAUV. STEEL, 1" HIGH, RETURN LEGS 3-5/8" (MIN), ATTACHED TO FLOOR AND CEILING WITH FASTENERS AT 24" O.C.
 - STEEL STUDS: 3-5/8" WIDE (MIN.), 1-1/4" LEGS, 3/8" RETURN, FORMED OF 25 MSG GAUV. STEEL, MAX. SPACING 24" O.C.
 - GYP/UM WALLBOARD: 5/8" THICK, 4" WIDE, ATTACHED TO STEEL STUDS AND FLOOR AND CEILING TRACK WITH 1" LONG THE "S" SELF-TAPPING STEEL SCREWS SPACED 8" O.C. ALONG EDGES OF BOARD AND 12" O.C. IN THE FIELD OF THE BOARD. JOINTS ORIENTED VERT. AND STAGGERED ON OPPOSITE SIDES OF THE ASSEMBLY.
 - BATTS AND BLANKETS: MINERAL WOOL INSULATION, PARTIALLY OR COMPLETELY FILLING STUD CAVITY.
 - JOINT AND TAPE COMPOUND: VINYL, DRY OR PREMIXED JOINT COMPOUND, APPLIED IN TWO COATS TO JOINTS AND SCREW HEADS; PAPER TAPE, 2" WIDE, EMBEDDED IN FIRST LAYER OF COMPOUND OVER ALL JOINTS, AS AN ALTERNATE, NOMINAL 3/32" THICK GYPSUM VENEER PLASTER MAY BE APPLIED TO THE ENTIRE SURFACE OF CLASSIFIED VENEER BASEBOARD, JOINT REINFORCED.

GENERAL NOTES

- INSULATION AND INSULATION ASSEMBLIES SHALL MEET THE REQUIREMENTS OF SECTION 7.19.
- A. CONCEALED INSULATION SHALL HAVE A FLAME SPREAD OF 0-25 AND SMOKE DEVELOPED INDEX OF 0-450. EXCEPT THAT IN COMBUSTIBLE WOOD FRAME CONSTRUCTION.
- B. FACING SHALL COMPLY WITH IBC 2009.
- PROVIDE 5x5" LANDINGS, LEVEL WITH FINISHED FLOOR, OUTSIDE EXTERIOR DOORS. THRESHOLDS SHALL BE NOT MORE THAN 1/2" IN HEIGHT AND SHALL BE BEVELLED IF MORE THAN 1/4". MAX SLOPE 1:48
- CONTRACTOR TO VERIFY ALL SITE CONDITIONS, BUILDING LOCATIONS, AND DIMENSIONS PRIOR TO CONSTRUCTION.
- MATERIALS SHALL BE NEW AND U.L. LISTED.
- NO WORK SHALL BE CONCEALED UNTIL APPROVED BY LOCAL INSPECTORS.
- CONSTRUCTION SHALL COMPLY WITH ALL FEDERAL, STATE, AND LOCAL CODES.
- CONTRACTOR TO GUARANTEE WORK FOR ONE YEAR.
- CONTRACTOR SHALL FURNISH WATER AND POWER FROM EXISTING SOURCES.
- EXTERIOR GAULKING SHALL BE THOROUGH.
- PAINT GRADE TO SHALL BE SHERWIN WILLIAMS OR EQUIVALENT. ALL WORK TO RECEIVE 3 COATS. COLOR SELECTION BY OWNER.
- PROVIDE CLEANUP ON A REGULAR BASIS. NO TRASH STORED IN BUILDING.
- ALL BATT INSULATION SHALL HAVE A CLASS "A" (0-25) FLAME SPREAD IN COMPLIANCE WITH APPLICABLE CODE.
- USE 6" STUDS OR 4" STAGGERED STUDS AT ALL PLUMBING WALLS.
- PROVIDE GALVANIZED METAL PAN WITH DRAIN AT WATER HEATER LOCATION.
- ALL CORNERS SHALL BE PROPERLY BRACED FOR WIND LOADS. A 49" SHEATHING SHALL BE PROVIDED EVERY 20 FEET OF WALL LENGTH.
- INTERIOR WALLS AND CEILINGS SHALL HAVE A FLAME SPREAD OF 0-200 AND A SMOKE DEVELOPMENT RATING OF 0-450.
- ALL WORK SHALL COMPLY WITH THE LATEST EDITION OF ALL LOCAL, STATE, AND NATIONAL CODES COVERING THE TYPE OF WORK BEING PERFORMED.
- PROVIDE PORTABLE FIRE EXTINGUISHERS IN ACCORDANCE WITH NFPA 101. SEE APPENDIX "E" OF NFPA 101 FOR DISTRIBUTION OF EXTINGUISHERS.
- ALL FIRE WALLS SHALL EXTEND TIGHT TO ROOF DECK AND BE SEALED WITH AN APPROVED FIRE GULK.
- ALL ELECTRICAL, MECHANICAL, AND PLUMBING MATERIALS PENETRATING FIRE WALLS SHALL BE FIRE RATED. PENETRATIONS THROUGH RATED CONSTRUCTION SHALL BE SEALED WITH A MATERIAL CAPABLE OF PREVENTING THE PASSAGE OF FLAMES AND HOT GASES WHEN TESTED IN ACCORDANCE WITH ASTM E814.
- SERVICE COUNTER SHALL HAVE A HCP ACCESSIBLE WRITING SURFACE. MAX. 36" FROM F.F. (ADAAG MANUAL 1998, Pg. 135)
- ALL FINISHES/ COLORS TO BE SELECTED BY OWNER.



**OLDE TOWN SLIDELL
 FIRE DAMAGE REHABILITATION**
 227 COUSIN STREET
 SLIDELL, LA
 70455

JOB No:	2146	DATE:	07-13-2012
DRAWN BY:	BSN	CHECKED BY:	BSN



**DAMMON
 ENGINEERING, INC.**
Architects & Engineers

CHIEF ENGINEER: ENNETT DAMMON, P.E.
 CHIEF ARCHITECT: ROBERT WILTSE
 554 OLD SPANISH TRAIL
 SUDELL, LA 70458

dammonengneamg.com
 dammoneng@dammoneng.com
 PHONE: 985-649-5832
 FAX: 985-641-5950

REVISIONS		DATE
#	DESCRIPTION	

**SCHEDULE
 &
 DETAILS**

A-4

SHEET No: _____ OF _____