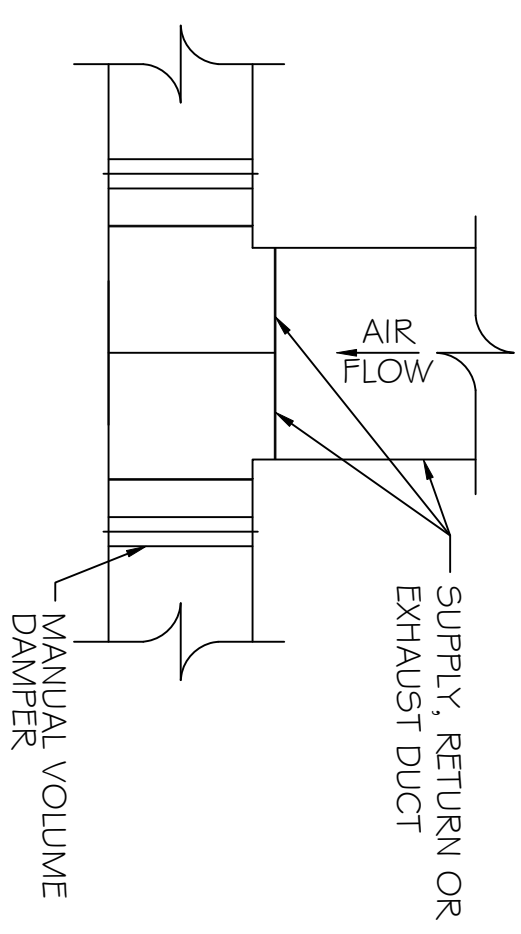
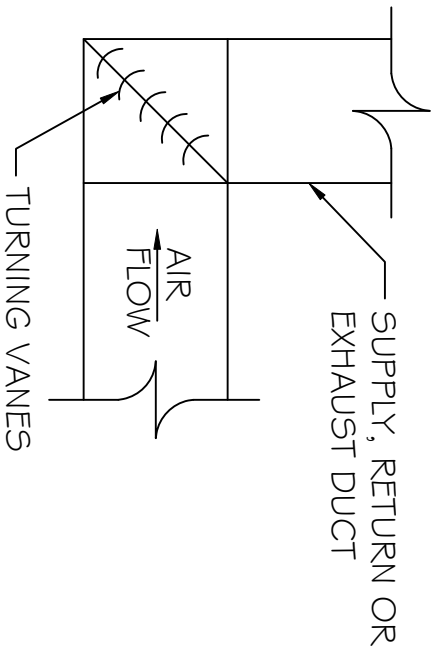


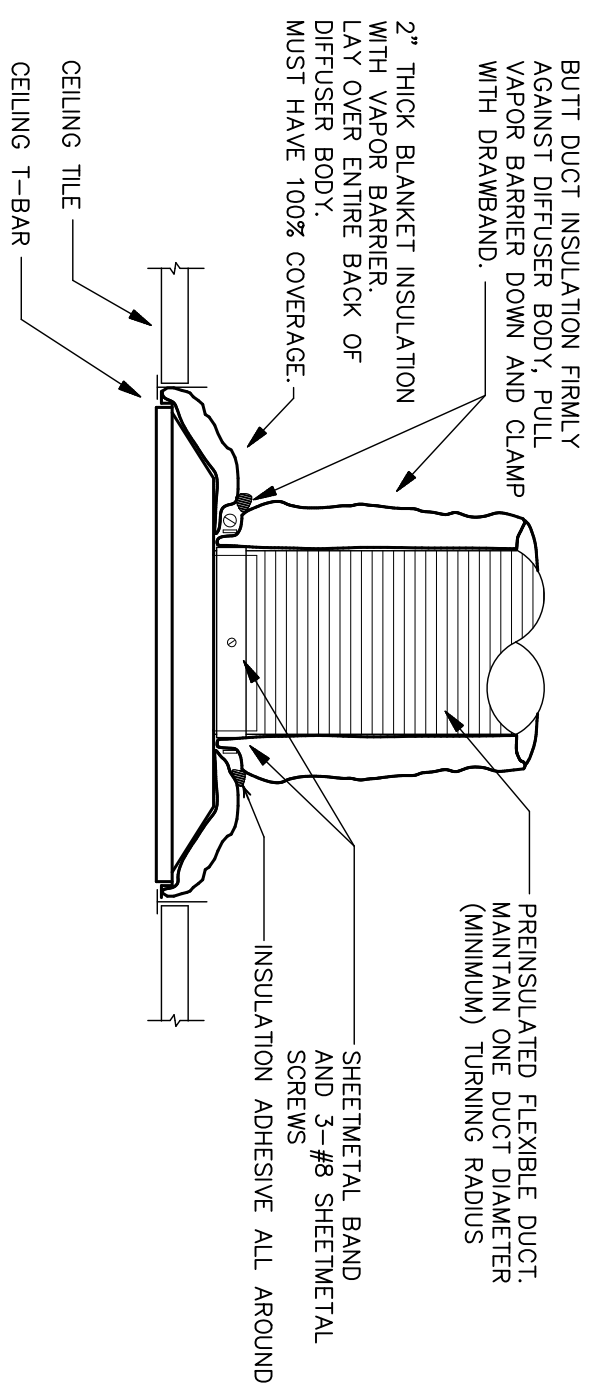
SUPPLY DUCT TAKE-OFF DETAIL
N.T.S.



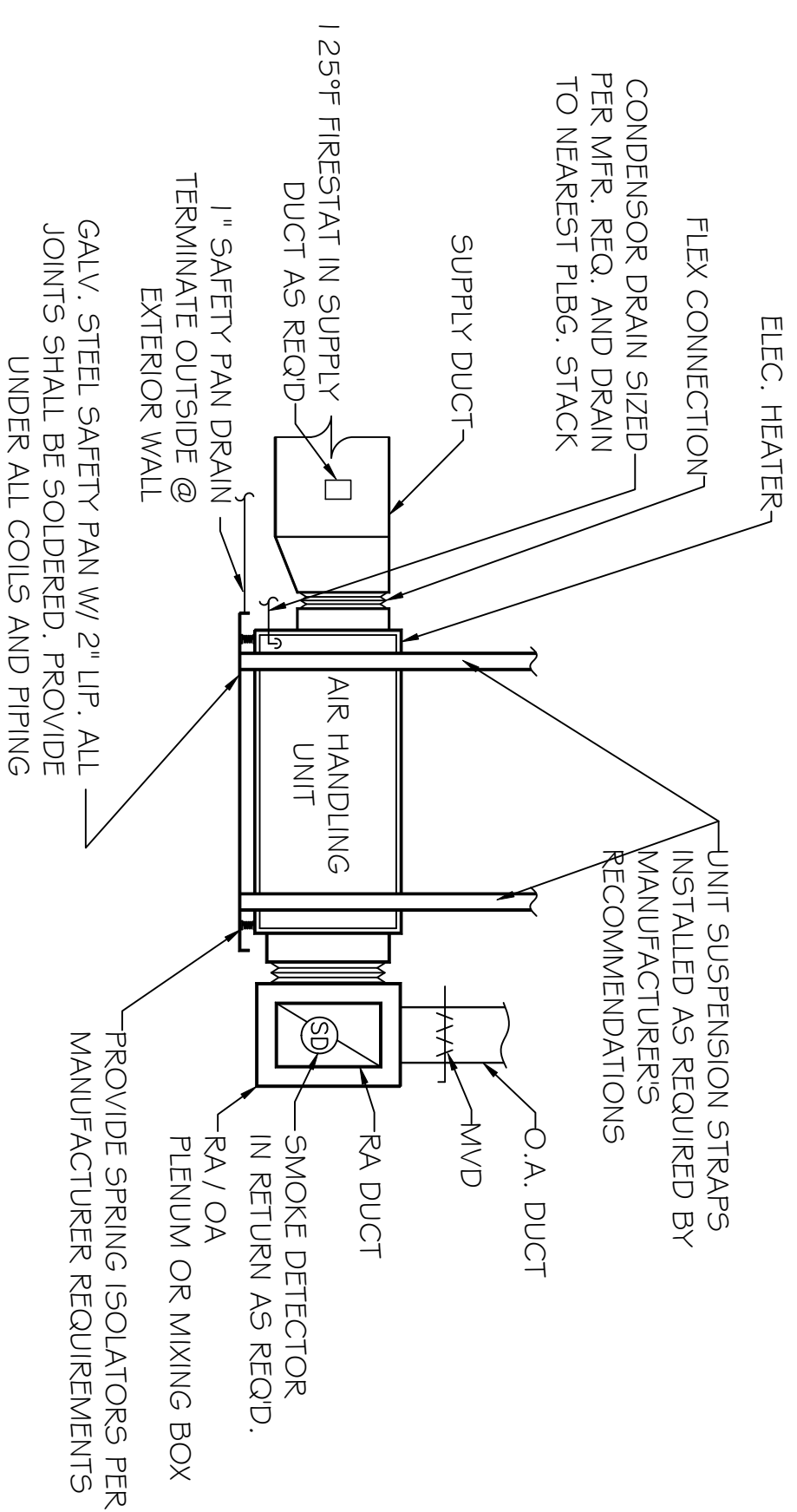
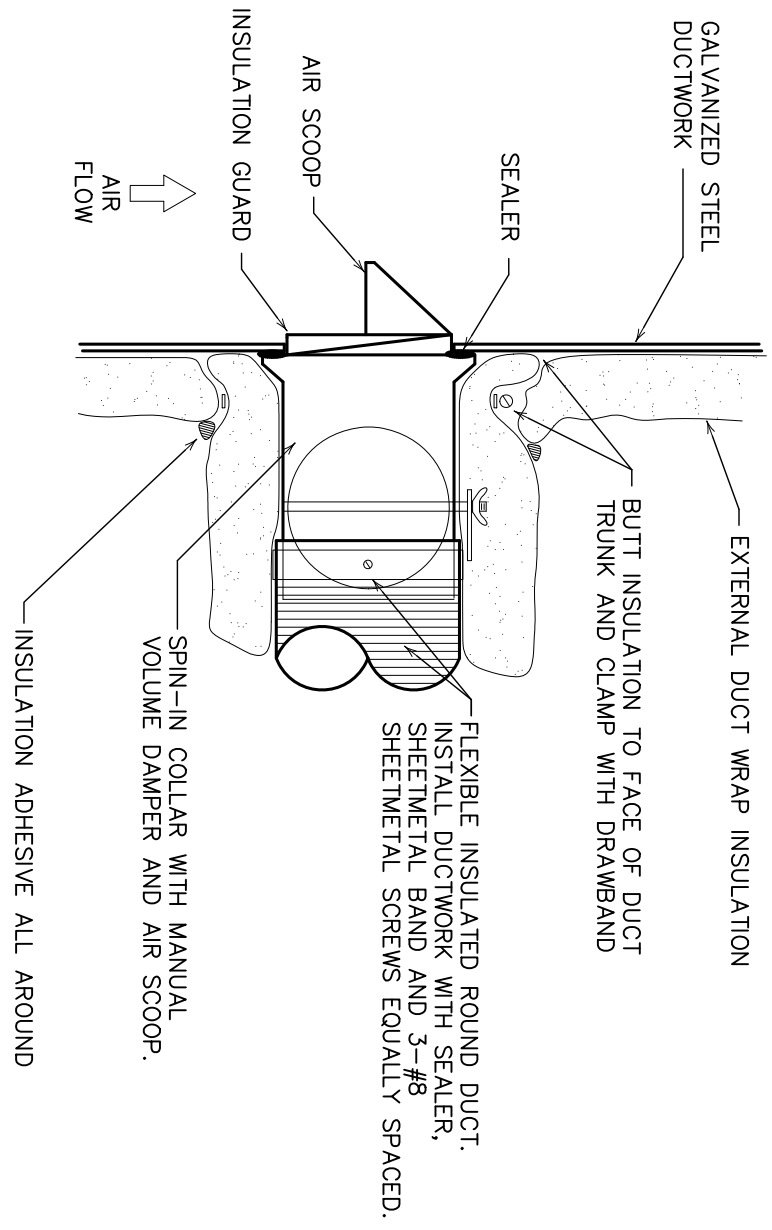
DUCT SPLITTER DETAIL
N.T.S.



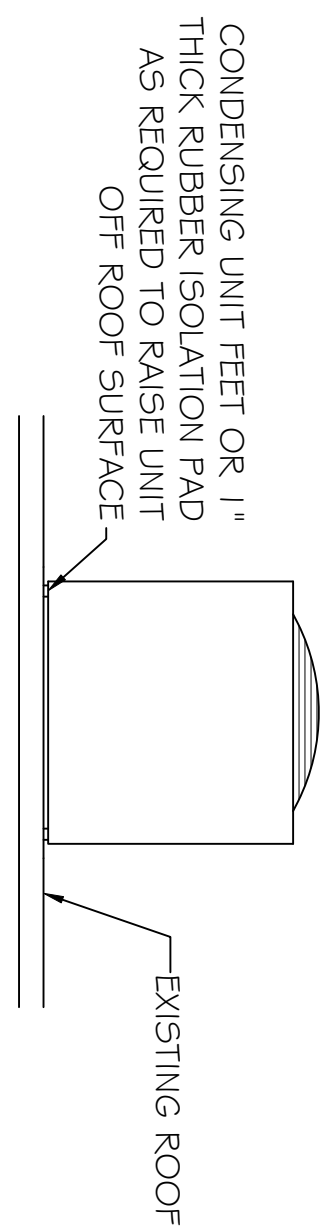
SQUARE ELBOW DETAIL
N.T.S.



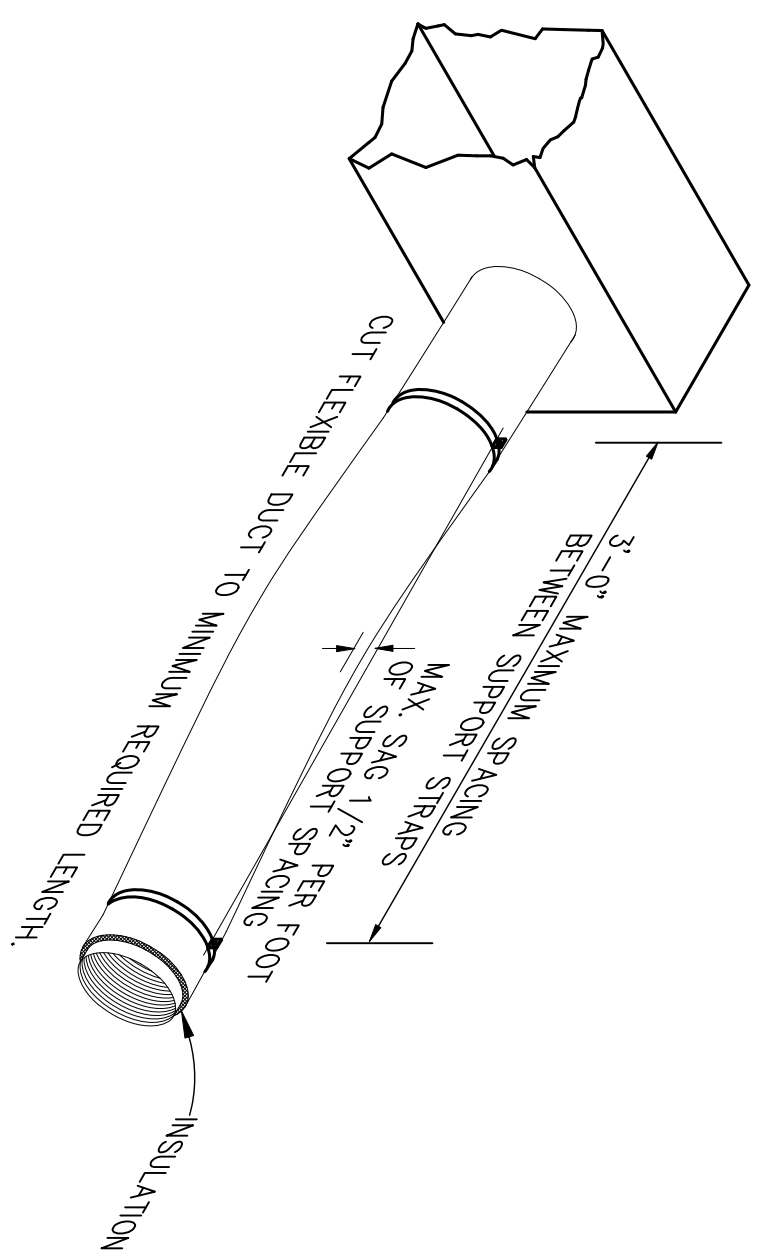
LAY IN DIFFUSER DETAIL
NOT TO SCALE



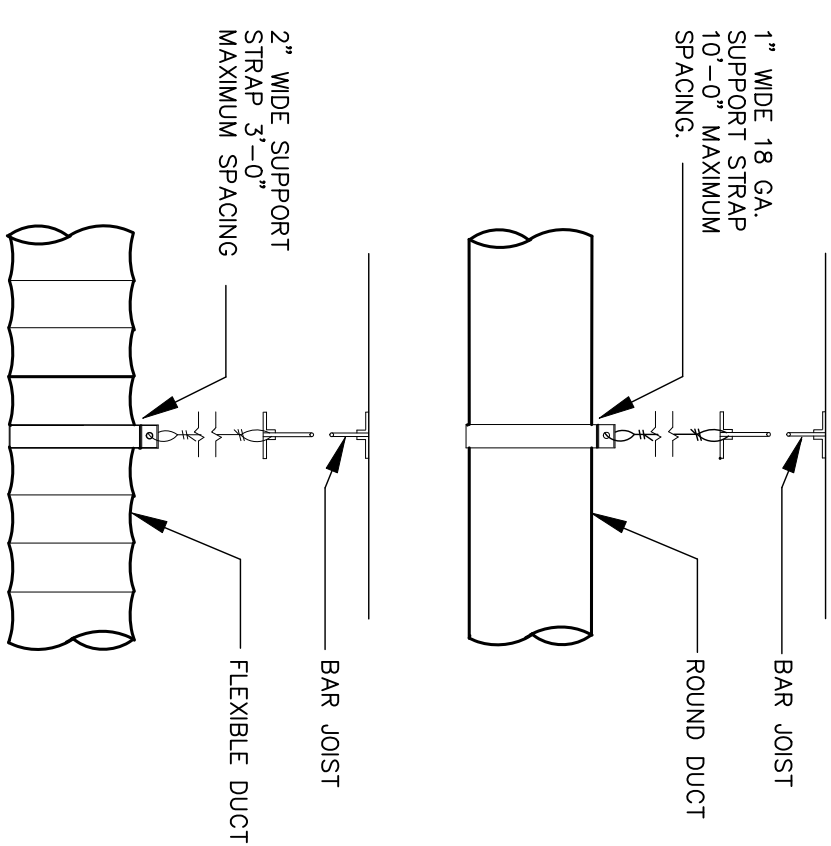
TYPICAL CEILING MOUNTED HORIZONTAL AHU DETAIL
SCALE: N.T.S.



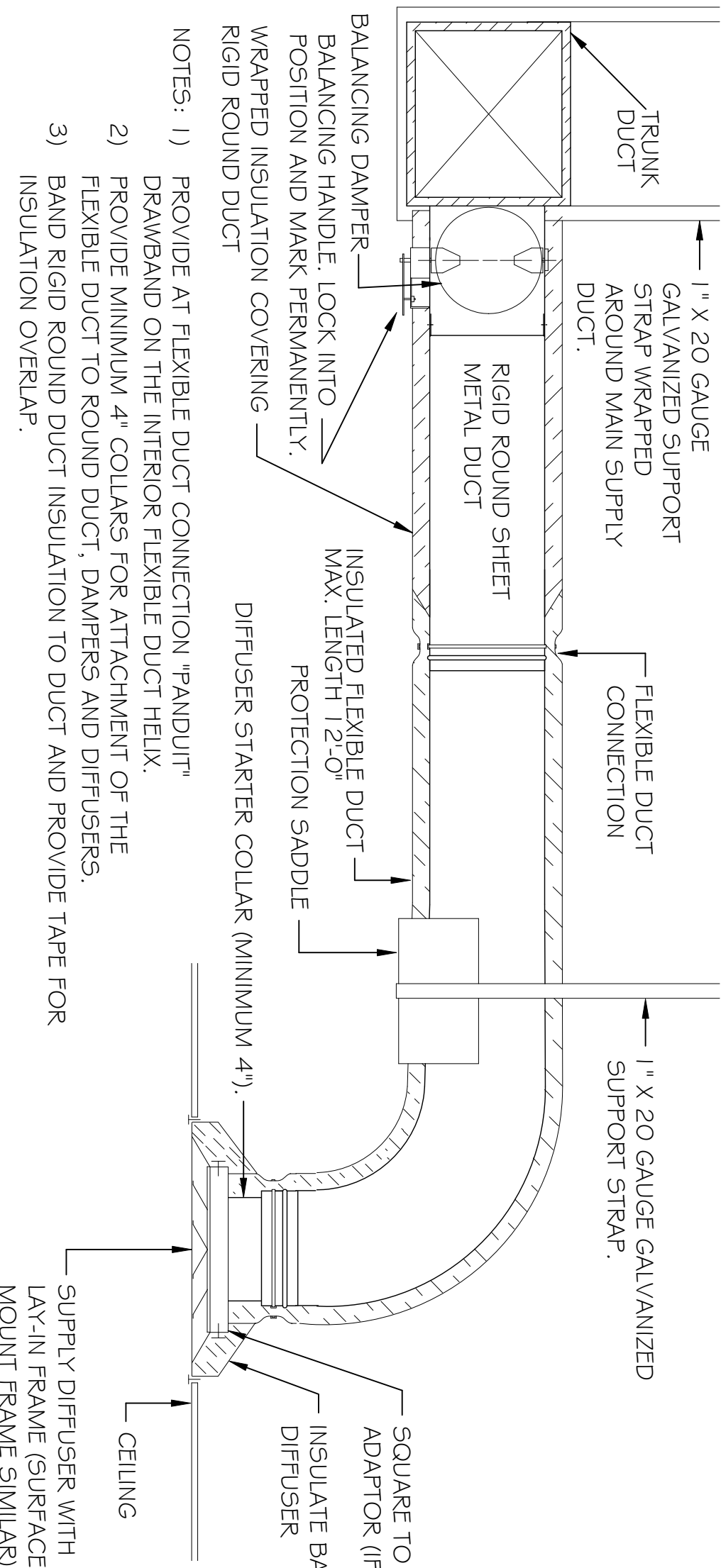
CONDENSING MOUNTING DETAIL
N.T.S.



FLEX DUCT SUPPORT DETAIL
NOT TO SCALE



- HVAC NOTES**
1. CONCEALED DUCTWORK TO BE GALVANIZED SHEET METAL LINED WITH FIBROUS GLASS DUCT LINER, MIN R-6, INSTALLED PER SMACNA STANDARDS.
 2. EXPOSED DUCTWORK TO BE GALVANIZED SHEET METAL LINED WITH FIBROUS GLASS DUCT LINER, MIN R-6, INSTALLED PER SMACNA STANDARDS.
 3. ROUND FLEXIBLE DUCT TO BE UL-181, CLASS 1, AIR DUCT MATERIALS.
 4. DUCT SIZES SHOWN ARE CLEAR INSIDE DIMENSIONS.
 5. IN ALL SYSTEMS OVER 2000 CFM AND LESS THAN 15,000 CFM, SMOKE DETECTORS SHALL BE INSTALLED IN ACCORDANCE WITH NFPA 72E IN THE RETURN DUCT DOWNSTREAM OF THE AIR HANDLING UNIT AND ALL FILTERS TO AUTOMATICALLY STOP THE FAN.
 6. PROVIDE UL-125 F-1 FRESTAT IN RETURN AIR OF EACH SYSTEM UNDER 2000 CFM TO SHUT DOWN THE FAN IN THE EVENT OF FIRE.
 7. PROVIDE UL-1 RATED FIRE DAMPERS WHERE REQUIRED BY CODE, INCLUDING OUTSIDE AIR INTAKES, FIRE-RATED ASSEMBLIES AND WHERE REQUIRED BY CODE, INCLUDING OUTSIDE AIR INTAKES.
 8. CONDENSATE DRAINS TO BE PVC PIPE RUN TO PLUMBERS P-TRAP WITHIN FIVE FEET OF AIR HANDLING UNITS.
 9. ALL AIR HANDLING SYSTEMS TO BE BALANCED TO ASSURE PROPER AIR FLOWS PER PLANS.
 10. ALL THERMOSTATS TO BE AUTOMATIC CHANGEOVER WITH HEAT SWITCH.
 11. EXHAUST FAN EQUAL TO BROAN MODEL NO. 70 CF. SEE WOODHOUSE SPECIFICATIONS, FAN SHALL BE CONTROLLED BY A SWITCH ON THE WALL IN THE SAME LOCATION AS LIGHT SWITCH(S). PROVIDE BACK DRAFT DAMPER.
 12. PROVIDE AND INSTALL WATER PROOF GRILLE VENT IN PROPER ROOF LOCATION FOR PLUMBING FIXTURE EXHAUST.
 13. ALL SUPPLY AIR VENTS SHALL BE EQUIPPED WITH AIR CONTROL DAMPERS.
 14. LOCATE OUTDOOR UNITS AS SHOWN ON ARCH. DWGS.
 15. REFRIGERANT LINES SHALL BE SIZED BY UNIT MANUFACTURER AND INSTALLED ACCORDING TO MANUFACTURERS' INSTRUCTIONS.
 16. FRESH AIR SHALL BE SUPPLIED TO EACH AIR HANDLER THROUGH EXTERIOR WALL DUCT SUPPLIED WITH A CONTROL DAMPER.
 17. INSTALL FIRE DAMPER WHERE S.A. & R.A. DUCTS PENETRATE 1 HOUR RATED CEILINGS.
 18. ALL ELECTRICAL, MECHANICAL, AND PLUMBING PENETRATING FIRE WALLS SHALL BE FIRE CALKED. PENETRATIONS THROUGH RATED CONSTRUCTION SHALL BE SEALED WITH A MATERIAL CAPABLE OF PREVENTING THE PASSAGE OF FLAMES AND HOT GASES WHEN TESTED IN ACCORDANCE WITH ASTM-E814.
 19. ALL MECHANICAL SYMBOLS ARE DRAWN DIAGRAMMATICALLY. CONTRACTOR TO VERIFY WITH OWNER LOCATIONS OF VENTS, DAMPERS, REGISTERS, ETC.
 20. FLEXIBLE DUCTWORK LENGTH NOT TO EXCEED 12'-0".
 21. REFER TO REFLECTED CEILING PLAN FOR FINAL GRILLE AND DIFFUSER LOCATIONS AND COORDINATE AS REQUIRED.
 22. FINAL LOCATION OF TEMPERATURE CONTROLS TO BE COORDINATED WITH OWNER AT JOB SITE.
 23. PROVIDE AND INSTALL SMOKE DETECTORS AS APPROVED BY LOCAL AHJ'S. PLACE NEAR R.A. AND S.A. OPENINGS OF AHU AND PROVIDE, WITH ACCESS PANEL, WIRING BY ELECTRICAL CONTRACTOR.
 24. FRESH AIR INTAKES ARE REQUIRED TO HAVE MOTORIZED OR GRAVITY DAMPERS TO SHUT OFF WHEN SYSTEM IS NOT RUNNING. ALL THERMOSTATS MUST BE PROGRAMMABLE. SEE SECTIONS 502.4.4 OR 503.2.4.3 OF THE 2009 INTERNATIONAL ENERGY CODE.



DIFFUSER CONNECTION DETAIL - FLEX DUCT
N.T.S.

- NOTES:
- 1) PROVIDE AT FLEXIBLE DUCT CONNECTION "PANDUIT" DRAWBAND ON THE INTERIOR FLEXIBLE DUCT HELIX.
 - 2) PROVIDE MINIMUM 4" COLLARS FOR ATTACHMENT OF THE FLEXIBLE DUCT TO ROUND DUCT, DAMPERS AND DIFFUSERS.
 - 3) BAND RIGID ROUND DUCT INSULATION TO DUCT AND PROVIDE TAPE FOR INSULATION OVERLAP.

REVISIONS		DATE
#	DESCRIPTION	
1	REVISION #1	5/23/2013

WOODHOUSE SPA
THE HIGH GROVE APARTMENTS
BATON ROUGE, LA

JOB No:	2163	DATE:	5/14/2013
DRAWN BY:	JTL	CHECKED BY:	KJK



DAMMON
ENGINEERING, INC.
Architects & Engineers

CHIEF ENGINEER: EMMETT DAMMON, P.E.
CHIEF ARCHITECT: KEVIN KINCHEN
554 OLD SPANISH TRAIL
SLUDD, LA 70458

dammoneengineering.com
dammoneeng@bellsouth.net
PHONE: 985-649-5832
FAX: 985-641-5950

MECHANICAL
DETAILS

SHEET No: 8 OF 15

M-2