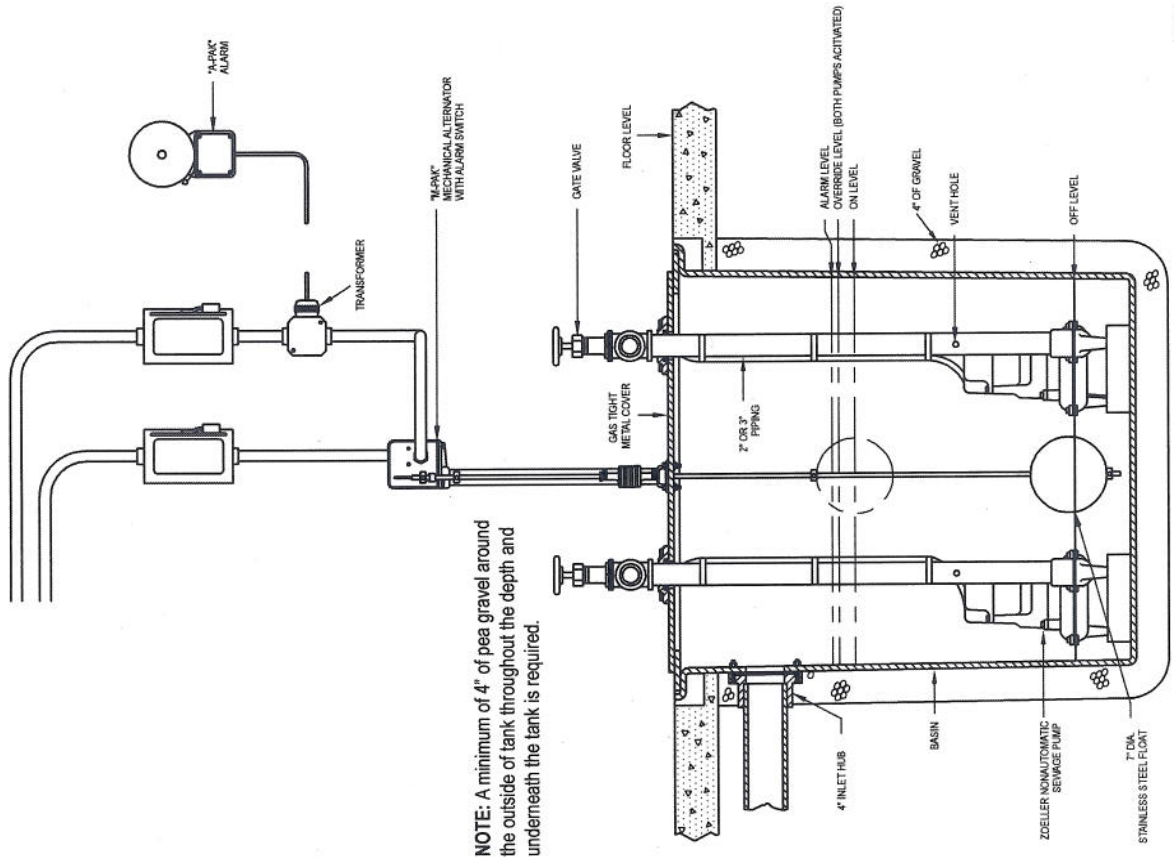
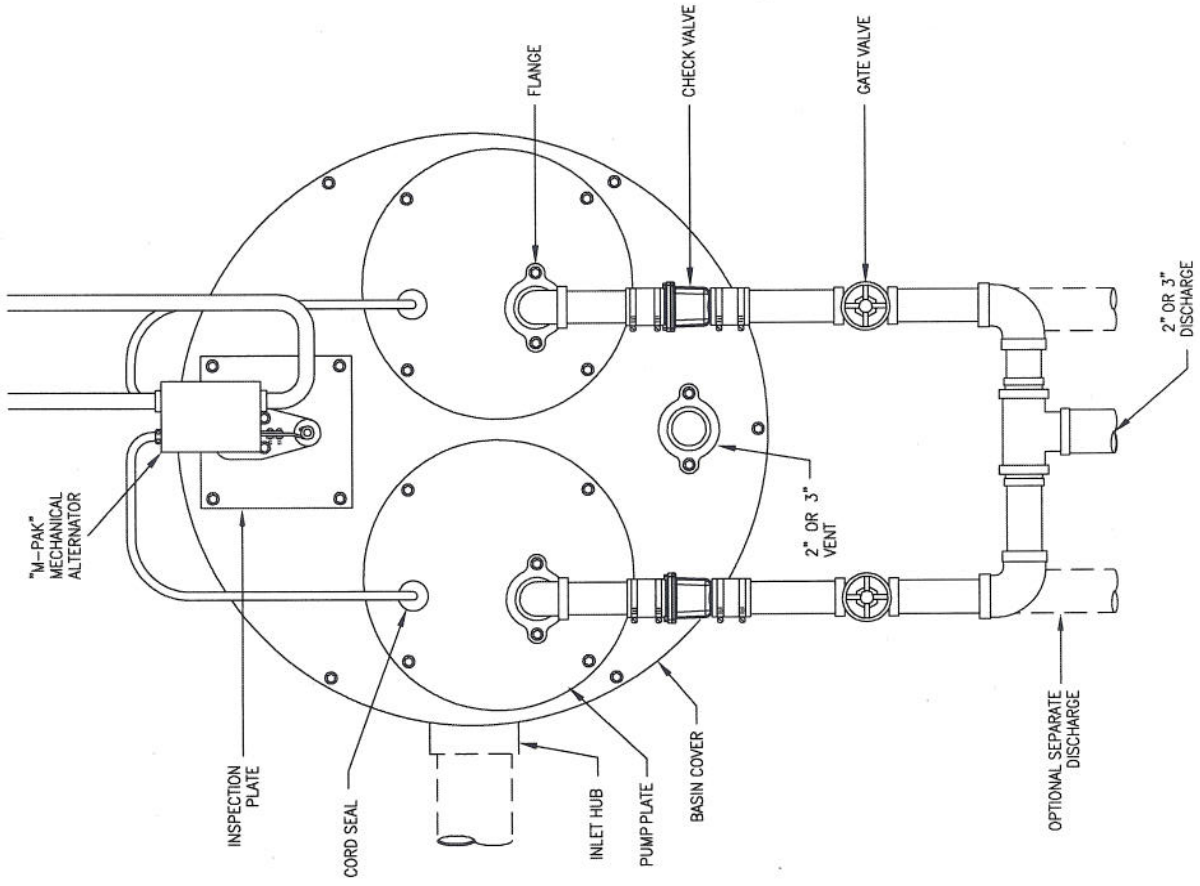


SEWAGE DUPLEX SYSTEM WITH MECHANICAL ALTERNATOR  
(SINGLE PHASE)



SK482

SEWAGE DUPLEX SYSTEM WITH MECHANICAL ALTERNATOR  
(SINGLE PHASE)



SK483

6564C LIFT STATION