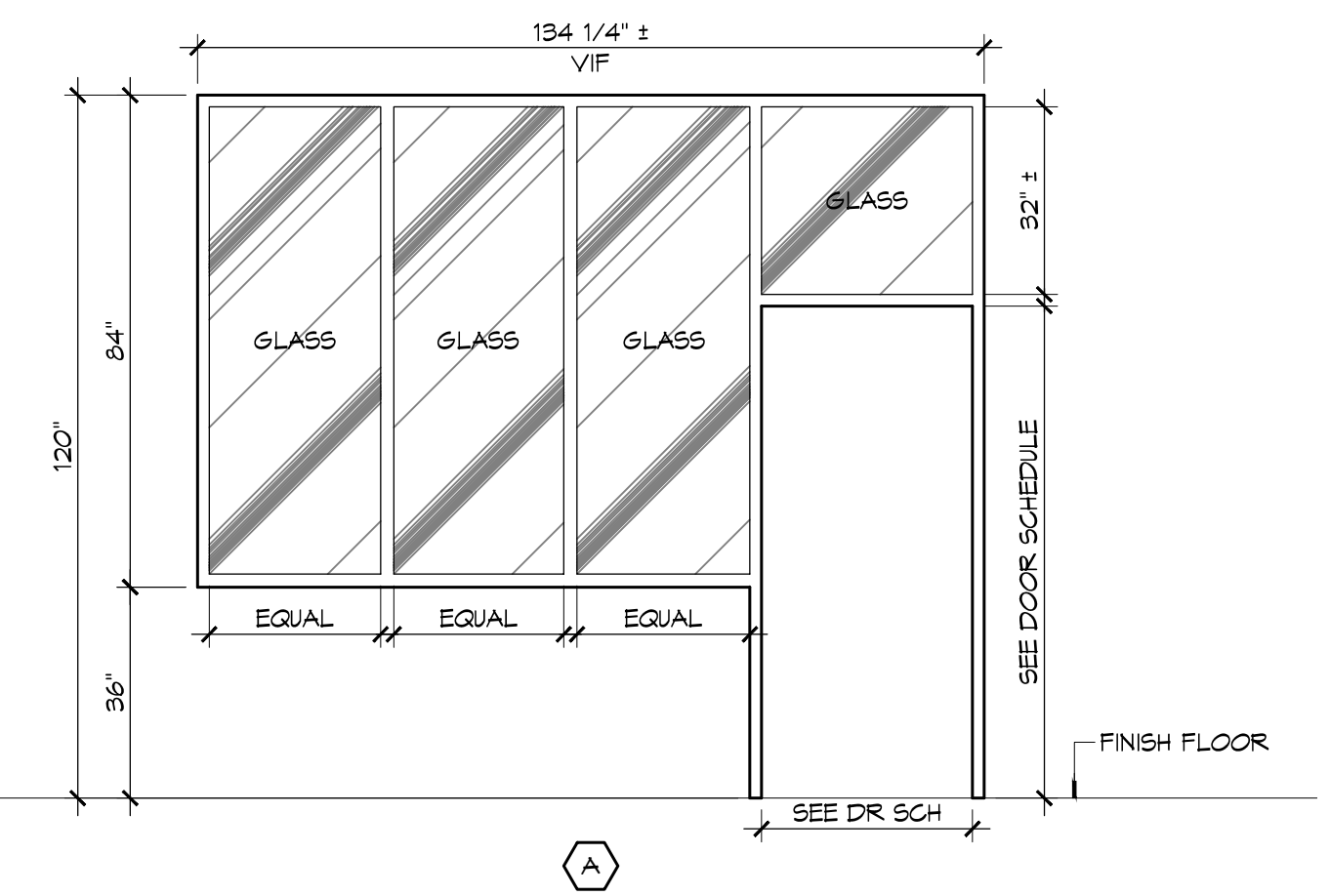
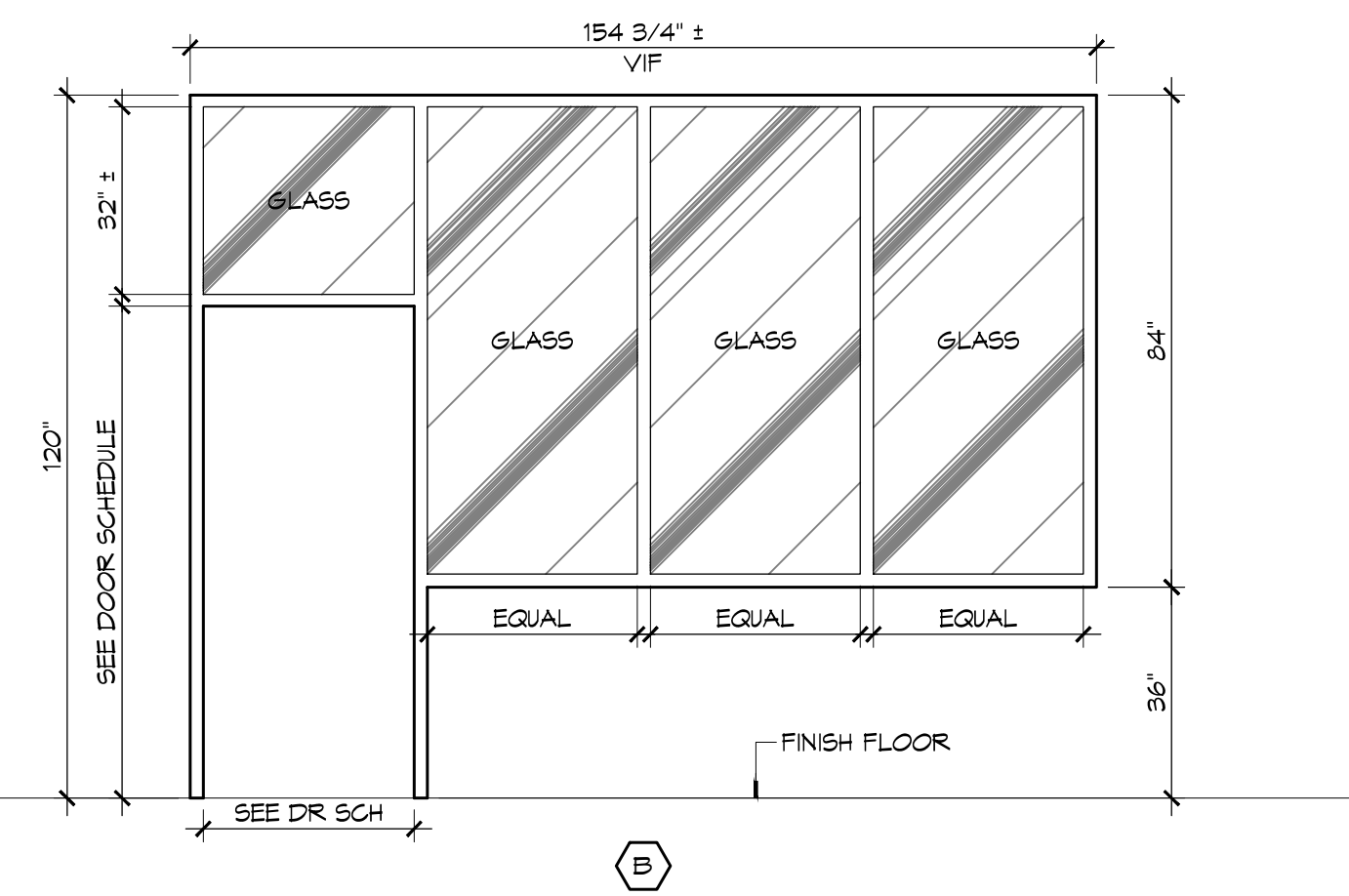
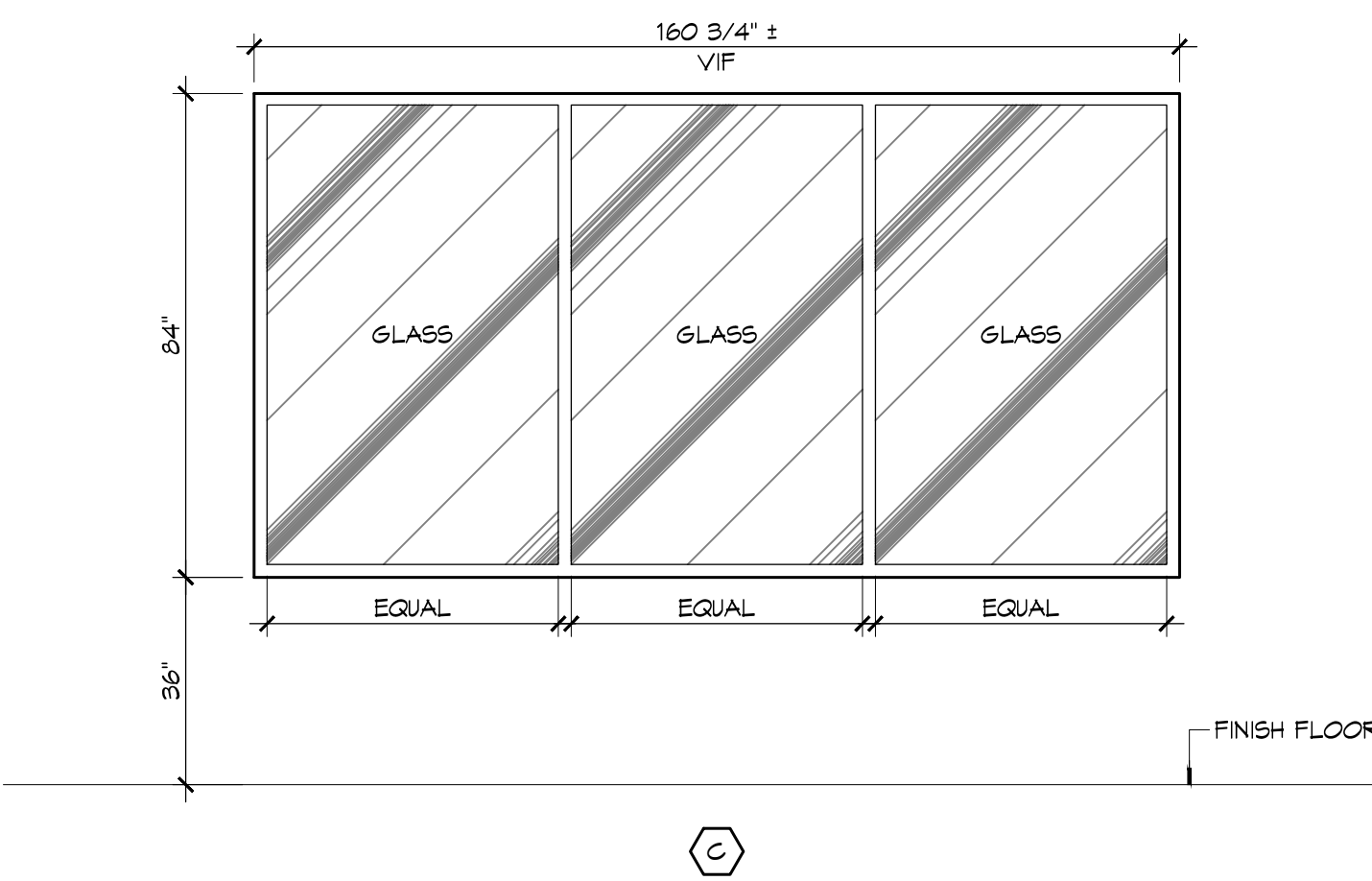
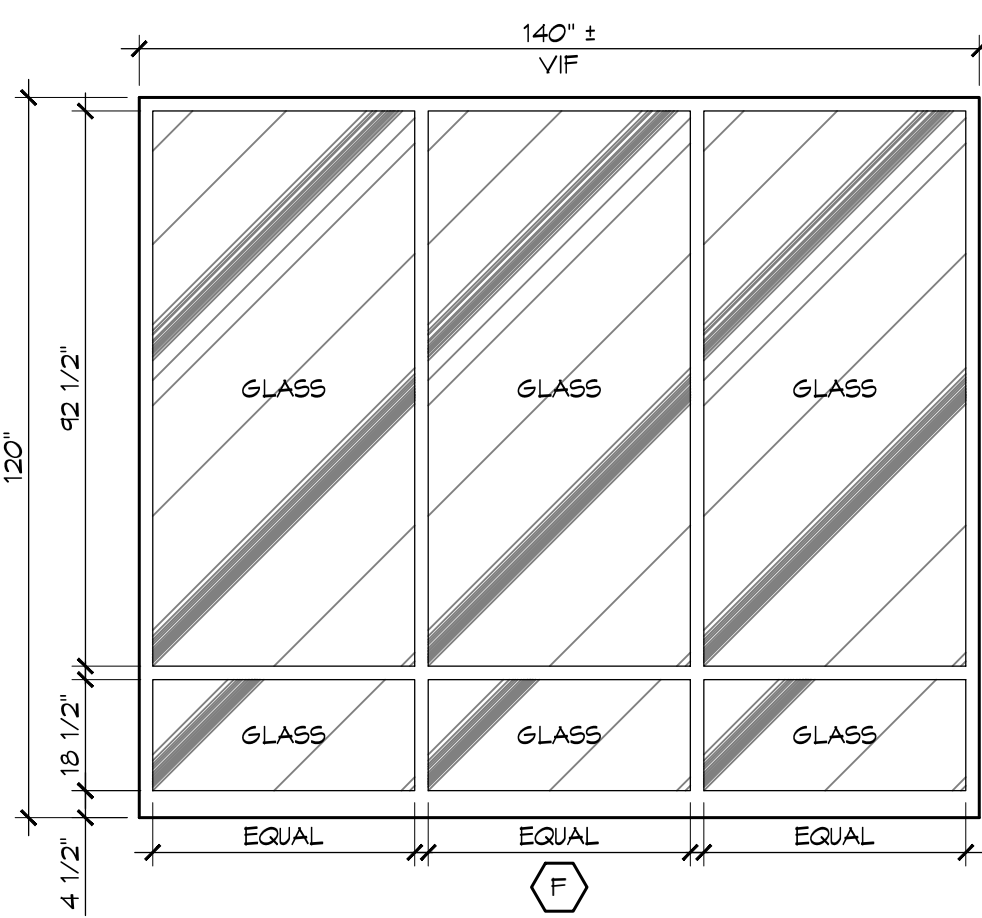
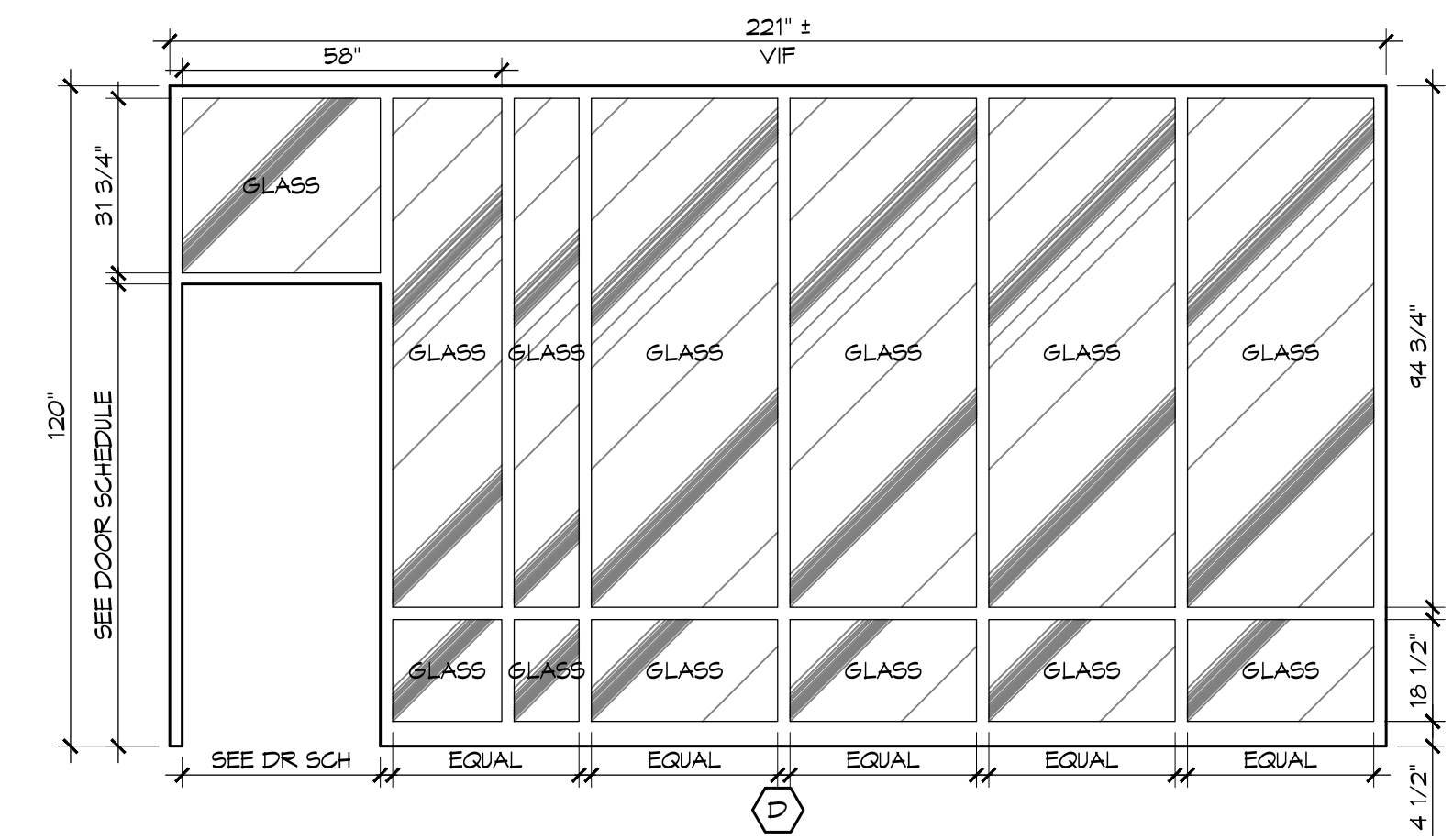
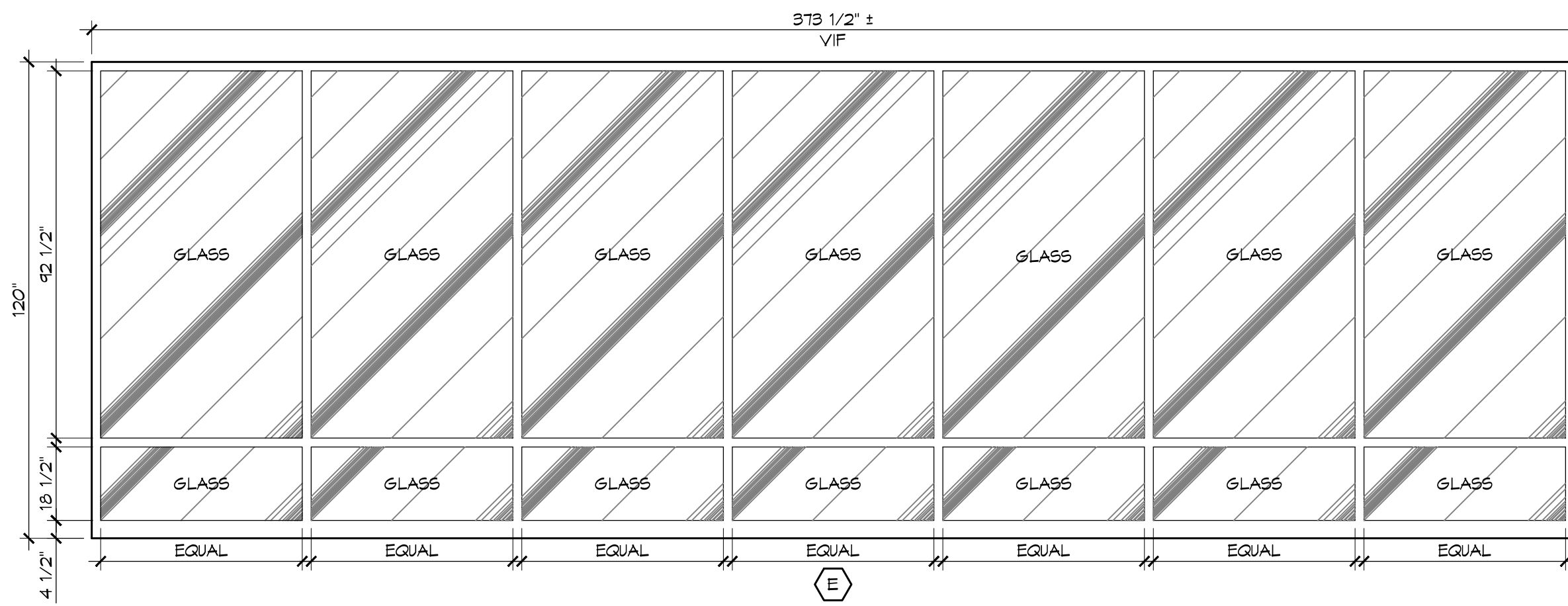
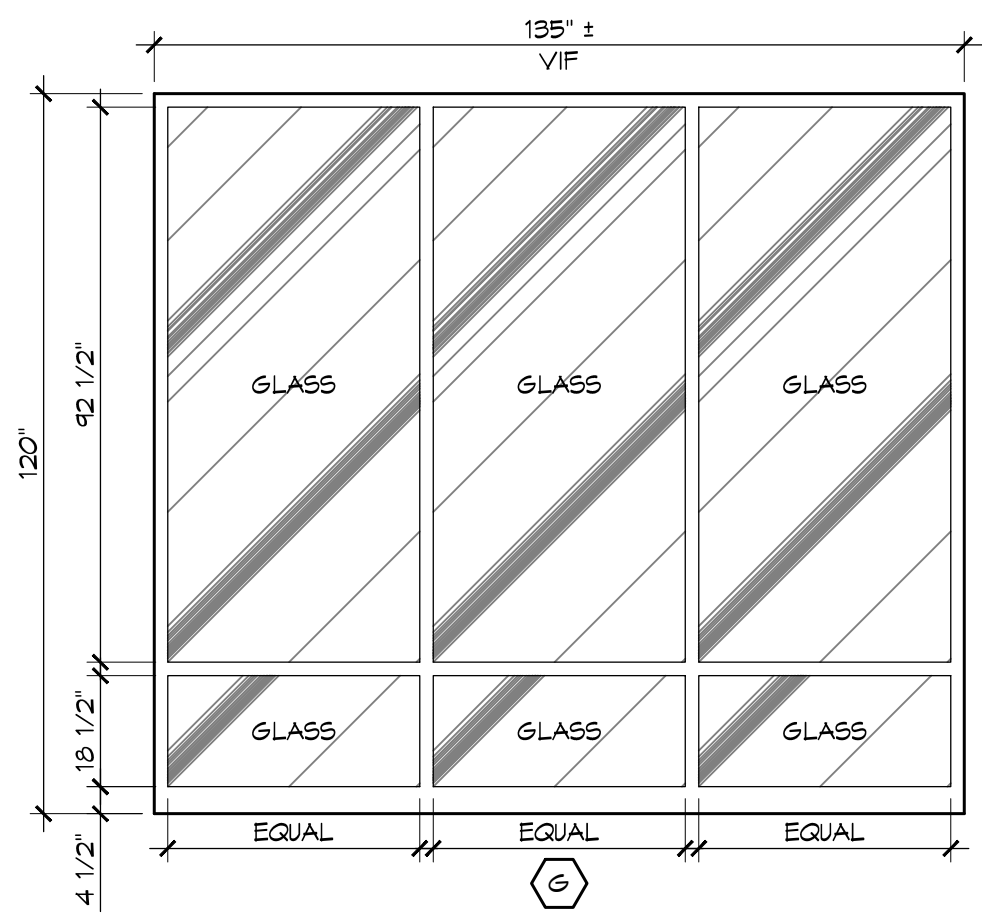


FILE NAME: J:\COMERCIAL\238 - 2015 OF 3\001 - 1\DWG\3\001.dwg DATE: 05/14/2015 10:11 AM



**1 WINDOW ELEVATIONS**

SCALE: 3/8" = 1'-0"

**DAMMON**  
ENGINEERING, INC.  
*Architects & Engineers*

Chief Architect: Kevin J. Kitchens, NCARB  
Chief Engineer: Brian Mitchen, PE  
554 Old Spanish Trail  
Slidell, LA 70458  
www.dammonengineering.com  
info@dammonengineering.com  
PH: 985.649.5632  
F: 985.641.5990

#	DESCRIPTION	REVISIONS	DATE

SEAL:

RENOVATIONS TO:  
**HONDA OF SLIDELL**  
510 EAST HOWLE BEACH ROAD  
SLIDELL, LA 70461

JOB No: 235R  
DATE: MAY 1, 2015  
DRAWN BY: K-K  
CHECKED BY: K-K

SHEET TITLE:  
**DOOR FRAME AND STOREFRONT ELEVATIONS**

DRAWING NUMBER:  
**A102**

SHEET No: 6 of 7