

LEGEND

INDICATES 1 HOUR RATED WALL ASSEMBLY

MARK DOOR TYPE

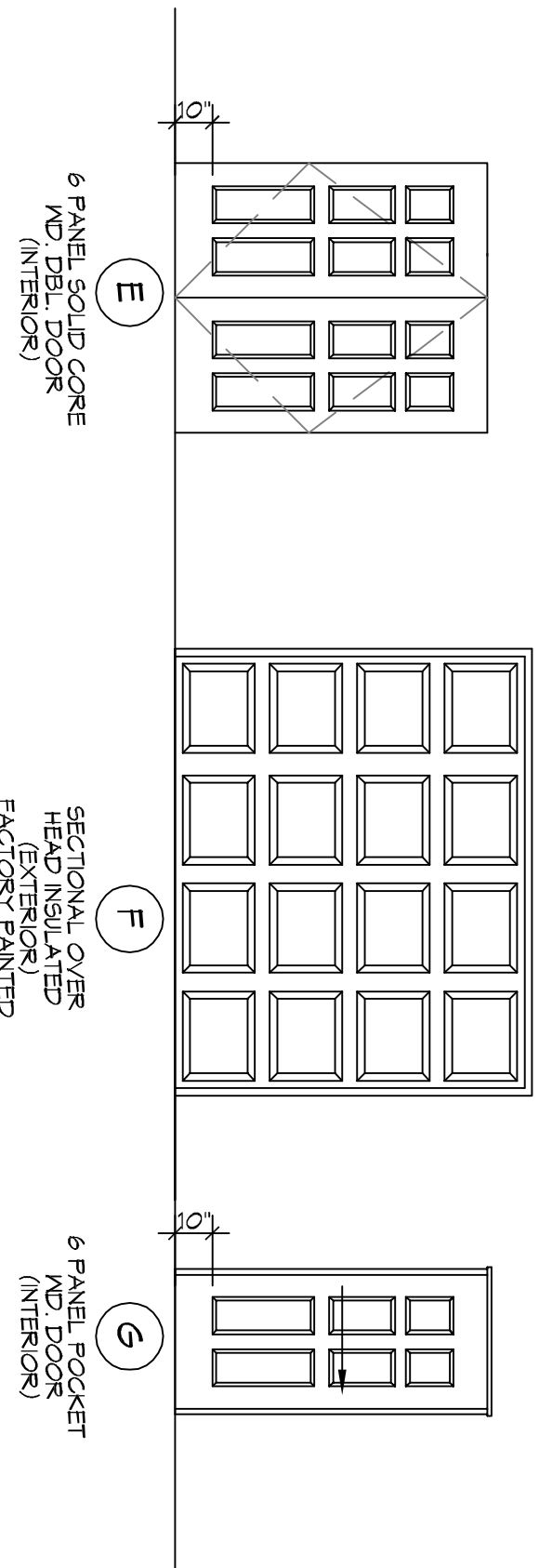
WINDOW TYPE

13 WINDOW PROFILES
SCALE: 1/4"=1'-0"

WINDOW SCHEDULE

MK	SIZE	FRAME	TYPE	REMARKS
A	4'-0" W X 5'-0" H	ALUM	FIXED	TINTED / TEMPERED DOUBLE INSULATED
B	2'-9" W X 1'-4" H	ALUM	FIXED	TINTED / TEMPERED DOUBLE INSULATED
C	8'-0" W X 4'-6" H	ALUM	FIXED	TINTED / TEMPERED DOUBLE INSULATED

1. ALL WINDOW ASSEMBLIES TO BE RATED FOR 140 MPH WINDS AND SHALL BE MISSILE IMPACT RESISTANT.



- LOCKSET SCHEDULE**
- 01 LOCKSETS WITH A DEADBOLT
 - 02 LOCKSET WITH PANIC BAR
 - 03 OFFICE LOCKSET
 - 04 INSTITUTIONAL LOCKSET
 - 05 ENTRANCE LOCKSET
 - 06 PRIVATE LOCKSET
 - 07 PUBLIC RESTROOM LOCKSET
 - 08 STOREROOM LOCKSET
 - 09 HOTEL/MOTEL
 - 10 LOCKSETS WITH A DEADBOLT
 - 11 APARTMENT LOCKSET
 - 12 CLASSROOM SECURITY LOCKSET
 - 13 DORMITORY LOCKSET
 - 14 STOREROOM LOCKSET
 - 15 STOREROOM LOCKSET
 - 16 DEADBOLT (KEYED OUTSIDE)
 - 17 DEADBOLT (KEYED ONE SIDE) - THUMBTURN INSIDE)

DOOR SCHEDULE

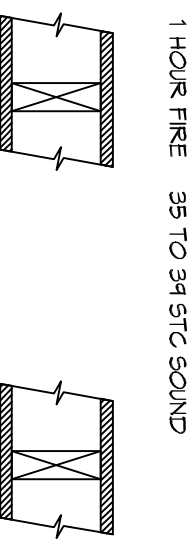
DOOR	DOOR TYPE	DOOR SIZE	LOCKSET	REMARKS
1	A	(2) 3'-0"X7'-0"	04	
2	E	(2) 3'-0"X7'-0"		
3	E	(2) 3'-0"X7'-0"		
4	E	(2) 3'-0"X7'-0"		
5	C	3'-0"X7'-0"		
6	C	3'-0"X7'-0"		45 MINUTE RATED DOOR
7	B	3'-0"X7'-0"		
8	C	3'-0"X7'-0"		
9	B	3'-0"X7'-0"		
10	E	(2) 3'-0"X7'-0"		
11	E	(2) 3'-0"X7'-0"		
12	C	3'-0"X7'-0"		
13	C	3'-0"X7'-0"		
14	C	3'-0"X7'-0"		
15	C	3'-0"X7'-0"		
16	B	3'-0"X7'-0"		
17	C	3'-0"X7'-0"		
18	C	3'-0"X7'-0"		
19	C	3'-0"X7'-0"		
20	C	3'-0"X7'-0"		
21	C	3'-0"X7'-0"		
22	G	4'-0"X7'-0"		
23	D	3'-0"X7'-0"		
24	D	3'-0"X7'-0"		
25	G	3'-0"X7'-0"		45 MINUTE RATED DOOR
26	G	4'-0"X7'-0"		
27	D	4'-0"X7'-0"		
28	B	4'-0"X7'-0"		45 MINUTE RATED DOOR
29	C	4'-0"X7'-0"		45 MINUTE RATED DOOR
30	C	3'-0"X7'-0"		
31	C	3'-0"X7'-0"		45 MINUTE RATED DOOR
32	B	3'-0"X7'-0"		
33	B	3'-0"X7'-0"		
34	F	10'-0"X8'-0"		
35	C	3'-0"X7'-0"		
36	C	3'-0"X7'-0"		
37	C	3'-0"X7'-0"		
38	D	3'-0"X7'-0"		
39	D	2'-0"X6'-8"		45 MINUTE RATED DOOR 2 ABOVE FINISHED FLOOR
40	D	2'-0"X6'-8"		45 MINUTE RATED DOOR 2 ABOVE FINISHED FLOOR
41	D	2'-0"X6'-8"		45 MINUTE RATED DOOR 2 ABOVE FINISHED FLOOR
42	D	2'-0"X6'-8"		45 MINUTE RATED DOOR 2 ABOVE FINISHED FLOOR

GENERAL PLAN NOTES

1. INSULATION AND INSULATION ASSEMBLIES SHALL MEET THE REQUIREMENTS OF IBC 2015 SECTION 720.
 - A. CONDENSED INSULATION SHALL HAVE A FLAME SPREAD OF 0-25 AND SMOKE DEVELOPED INDEX OF 0-450. EXCEPT THAT IN COMBUSTIBLE WOOD FRAME CONSTRUCTION.
 - B. FACING SHALL COMPLY WITH IBC 2015.
2. ALL MATERIALS SHALL BE NEW AND UL LISTED.
3. NO WORK SHALL BE CONCEALED UNTIL APPROVED BY LOCAL INSPECTORS.
4. CONSTRUCTION SHALL COMPLY WITH ALL FEDERAL, STATE AND LOCAL CODES.
5. CONTRACTOR TO GUARANTEE WORK FOR ONE YEAR FROM DATE OF SUBSTANTIAL COMPLETION.
6. CONTRACTOR SHALL FINISH WATER AND POWER FROM EXISTING SOURCES.
7. EXTERIOR CALLINGS SHALL BE THICK CALK.
8. PAINT SHALL BE SUBMITTED BY MANUFACTURER AND APPROPRIATE FOR THE SUBSTRATE TO WHICH IT IS APPLIED AS REQUIRED BY PAINT MANUFACTURER. ALL WORK TO RECEIVE PAINT SHALL BE PROPERLY PREPARED. TWO FINISH COATS UNLESS OTHERWISE RECOMMENDED BY PAINT MANUFACTURER. COLORS TO BE SELECTED BY OWNER.
9. PROVIDE CLAMP ON A REGULAR BASIS. NO TRASH SHALL BE STORED INSIDE BUILDING PERMITS.
10. ALL BATT INSULATION SHALL HAVE A CLASS 'N' (0-25) FLAME SPREAD IN COMPLIANCE WITH IBC 2015.
11. USE 2X6 WOOD STUDS, OR TWO 2X4 WOOD STAGGERED STUDS WITH 2X6 SILL PLATE AT ALL WALLS WHERE 4" PIPE IS INDICATED. SEE PLUMBING RISER DIAGRAM FOR PIPE SIZE.
12. PROVIDE GALVANIZED METAL PAN WITH DRAIN AT ALL WATER HEATERS.
13. ALL FLOORING SHALL MEET OR EXCEED ADA GUIDELINES REQUIREMENTS FOR SLIP RESISTANCE.
14. INTERIOR LOCKS ON DOORS IN MEANS OF EGRESS SHALL NOT REQUIRE THE USE OF A KEY, SPECIAL KNOWLEDGE OR SPECIAL DEVICE TO OPEN IN THE DIRECTION OF EGRESS. ALL DOORS SHALL HAVE LEVER TYPE HANDLES.
15. INTERIOR WALLS AND CEILING SHALL HAVE A FLAME SPREAD OF 0-200 AND A SMOKE DEVELOPMENT RATING OF 0-450.
16. ALL NEW WORK SHALL COMPLY WITH THE LATEST EDITION OF ALL LOCAL, STATE AND NATIONAL CODES COVERING THE TYPE OF WORK BEING PERFORMED.
17. PROVIDE PORTABLE FIRE EXTINGUISHERS IN ACCORDANCE WITH NFPA 101. SEE APPENDIX 'E' OF NFPA 101 FOR DISTRIBUTION OF EXTINGUISHERS.
18. ALL FIRE WALLS SHALL EXTEND TIGHT TO ROOF DECK AND BE SEALED WITH AN APPROVED FIRE CALK.
19. ALL ELECTRICAL, MECHANICAL, AND PLUMBING MATERIALS PENETRATING FIRE WALLS SHALL BE FIRE CALKED (PENETRATIONS THROUGH RATED CONSTRUCTION SHALL BE SEALED WITH A MATERIAL CAPABLE OF PREVENTING THE PASSAGE OF FLAMES AND HOT GASES WHEN TESTED IN ACCORDANCE WITH ASTM E814).
20. SERVICE COUNTERS SHALL HAVE AN ACCESSIBLE WRITING SURFACE IN COMPLIANCE WITH ADAAGS ACCESSIBILITY GUIDELINES 2010, SECTION 902.3.

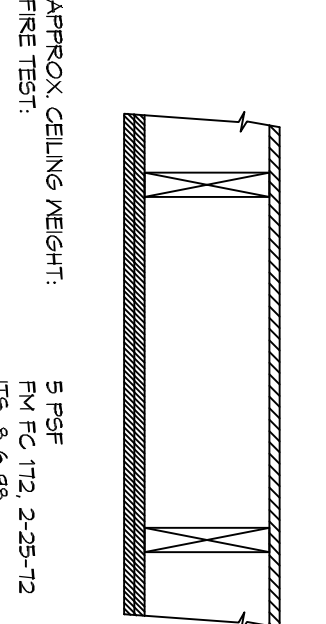
GA FILE NO. WP 3514 GENERIC

ONE LAYER 5/8" TYPE X GYPSUM WALLBOARD OR GYPSUM VENEER BASE APPLIED PERMANENTLY AT RIGHT ANGLES TO EACH SIDE OF 2" X 4" WOOD STUDS 16" O.C. WITH 1-1/4" TYPE N DRYWALL SCREWING 12" O.C. JOINTS STAGGERED 16" ON OPPOSITE SIDES (LOAD BEARING)

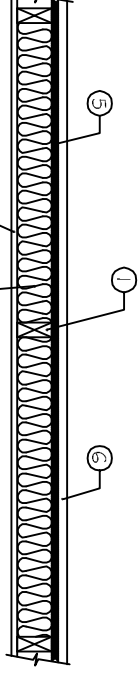


GA FILE NO. RC 2601 GENERIC

BASE LAYER 5/8" TYPE X GYPSUM WALLBOARD APPLIED AT RIGHT ANGLES TO 2" X 4" WOOD JOISTS 24" O.C. FACE LAYER 5/8" TYPE X GYPSUM WALLBOARD OR GYPSUM VENEER BASE APPLIED AT RIGHT ANGLES TO INTERMEDIATE JOISTS AND 1 1/2" TYPE S DRYWALL SCREWS 12" O.C. PLACED 2" BACK ON EITHER SIDE OF END JOISTS. JOINTS OFFSET 24" FROM BASE LAYER JOINTS. WOOD JOISTS SPACING 1/2" FROM WOOD WITH CEILING PROVIDES ONE HOUR FIRE RESISTANCE PROTECTION FOR WOOD FRAMING INCLUDING TRUSSES.



BEARING WALL RATING 1 HR. FINISH RATING-23 MIN. (EXPOSED TO FIRE ON INTERIOR ONLY)



1. WOOD STUDS, NOM 2x4 IN. SPACED 16" O.C. WITH TWO 2x4 IN. TOP PLATES AND ONE 2x4 IN. BOTTOM PLATE. STUDS/PLATES/BOARDS BY WOOD STRUCTURAL PANEL SHEATING (TYPE S) AND EFFECTIVELY STOPPED AT TOP AND BOTTOM OF WALL. THICK 4" FIBER REINFORCED CONCRETE BLOCK WALLS, 1-1/2" LONG WITH 1/4" DIAMETER REIN. BEING PLACED ON 16" O.C. JOISTS WITH 60 CORNER JOISTS COVERED WITH TAPE AND JOINT COMPOUND. WALL JOINTS AND MORTARS, (NOT SHOWN) WALL JOINTS COVERED WITH TAPE AND JOINT COMPOUND. WALL JOINTS COVERED WITH JOINT COMPOUND.

2. WOOD STUDS, NOM 2x4 IN. SPACED 16" O.C. WITH TWO 2x4 IN. TOP PLATES AND ONE 2x4 IN. BOTTOM PLATE. STUDS/PLATES/BOARDS BY WOOD STRUCTURAL PANEL SHEATING (TYPE S) AND EFFECTIVELY STOPPED AT TOP AND BOTTOM OF WALL. THICK 4" FIBER REINFORCED CONCRETE BLOCK WALLS, 1-1/2" LONG WITH 1/4" DIAMETER REIN. BEING PLACED ON 16" O.C. JOISTS WITH 60 CORNER JOISTS COVERED WITH TAPE AND JOINT COMPOUND. WALL JOINTS AND MORTARS, (NOT SHOWN) WALL JOINTS COVERED WITH TAPE AND JOINT COMPOUND. WALL JOINTS COVERED WITH JOINT COMPOUND.

3. JOINTS AND MORTARS, (NOT SHOWN) WALL JOINTS COVERED WITH TAPE AND JOINT COMPOUND. WALL JOINTS COVERED WITH JOINT COMPOUND.

4. WOOD STUDS, NOM 2x4 IN. SPACED 16" O.C. WITH TWO 2x4 IN. TOP PLATES AND ONE 2x4 IN. BOTTOM PLATE. STUDS/PLATES/BOARDS BY WOOD STRUCTURAL PANEL SHEATING (TYPE S) AND EFFECTIVELY STOPPED AT TOP AND BOTTOM OF WALL. THICK 4" FIBER REINFORCED CONCRETE BLOCK WALLS, 1-1/2" LONG WITH 1/4" DIAMETER REIN. BEING PLACED ON 16" O.C. JOISTS WITH 60 CORNER JOISTS COVERED WITH TAPE AND JOINT COMPOUND. WALL JOINTS AND MORTARS, (NOT SHOWN) WALL JOINTS COVERED WITH TAPE AND JOINT COMPOUND. WALL JOINTS COVERED WITH JOINT COMPOUND.

5. WOOD STRUCTURAL PANEL SHEATING, MIN. 7/16" THICK, 4FT WIDE.

6. GYPSUM WALLBOARD, 5/8" THICK, 4FT WIDE.

7. GYPSUM WALLBOARD, 5/8" THICK, 4FT WIDE.

8. GYPSUM WALLBOARD, 5/8" THICK, 4FT WIDE.

9. GYPSUM WALLBOARD, 5/8" THICK, 4FT WIDE.

10. GYPSUM WALLBOARD, 5/8" THICK, 4FT WIDE.

11. GYPSUM WALLBOARD, 5/8" THICK, 4FT WIDE.

12. GYPSUM WALLBOARD, 5/8" THICK, 4FT WIDE.

13. GYPSUM WALLBOARD, 5/8" THICK, 4FT WIDE.

14. GYPSUM WALLBOARD, 5/8" THICK, 4FT WIDE.

15. GYPSUM WALLBOARD, 5/8" THICK, 4FT WIDE.

16. GYPSUM WALLBOARD, 5/8" THICK, 4FT WIDE.

17. GYPSUM WALLBOARD, 5/8" THICK, 4FT WIDE.

18. GYPSUM WALLBOARD, 5/8" THICK, 4FT WIDE.

19. GYPSUM WALLBOARD, 5/8" THICK, 4FT WIDE.

20. GYPSUM WALLBOARD, 5/8" THICK, 4FT WIDE.

21. GYPSUM WALLBOARD, 5/8" THICK, 4FT WIDE.

22. GYPSUM WALLBOARD, 5/8" THICK, 4FT WIDE.

23. GYPSUM WALLBOARD, 5/8" THICK, 4FT WIDE.

24. GYPSUM WALLBOARD, 5/8" THICK, 4FT WIDE.

25. GYPSUM WALLBOARD, 5/8" THICK, 4FT WIDE.

26. GYPSUM WALLBOARD, 5/8" THICK, 4FT WIDE.

27. GYPSUM WALLBOARD, 5/8" THICK, 4FT WIDE.

28. GYPSUM WALLBOARD, 5/8" THICK, 4FT WIDE.

29. GYPSUM WALLBOARD, 5/8" THICK, 4FT WIDE.

30. GYPSUM WALLBOARD, 5/8" THICK, 4FT WIDE.

31. GYPSUM WALLBOARD, 5/8" THICK, 4FT WIDE.

32. GYPSUM WALLBOARD, 5/8" THICK, 4FT WIDE.

33. GYPSUM WALLBOARD, 5/8" THICK, 4FT WIDE.

34. GYPSUM WALLBOARD, 5/8" THICK, 4FT WIDE.

35. GYPSUM WALLBOARD, 5/8" THICK, 4FT WIDE.

36. GYPSUM WALLBOARD, 5/8" THICK, 4FT WIDE.

37. GYPSUM WALLBOARD, 5/8" THICK, 4FT WIDE.

38. GYPSUM WALLBOARD, 5/8" THICK, 4FT WIDE.

39. GYPSUM WALLBOARD, 5/8" THICK, 4FT WIDE.

40. GYPSUM WALLBOARD, 5/8" THICK, 4FT WIDE.

41. GYPSUM WALLBOARD, 5/8" THICK, 4FT WIDE.

42. GYPSUM WALLBOARD, 5/8" THICK, 4FT WIDE.

43. GYPSUM WALLBOARD, 5/8" THICK, 4FT WIDE.

44. GYPSUM WALLBOARD, 5/8" THICK, 4FT WIDE.

45. GYPSUM WALLBOARD, 5/8" THICK, 4FT WIDE.

46. GYPSUM WALLBOARD, 5/8" THICK, 4FT WIDE.

47. GYPSUM WALLBOARD, 5/8" THICK, 4FT WIDE.

48. GYPSUM WALLBOARD, 5/8" THICK, 4FT WIDE.

49. GYPSUM WALLBOARD, 5/8" THICK, 4FT WIDE.

50. GYPSUM WALLBOARD, 5/8" THICK, 4FT WIDE.

51. GYPSUM WALLBOARD, 5/8" THICK, 4FT WIDE.

52. GYPSUM WALLBOARD, 5/8" THICK, 4FT WIDE.

53. GYPSUM WALLBOARD, 5/8" THICK, 4FT WIDE.

54. GYPSUM WALLBOARD, 5/8" THICK, 4FT WIDE.

55. GYPSUM WALLBOARD, 5/8" THICK, 4FT WIDE.

56. GYPSUM WALLBOARD, 5/8" THICK, 4FT WIDE.

57. GYPSUM WALLBOARD, 5/8" THICK, 4FT WIDE.

58. GYPSUM WALLBOARD, 5/8" THICK, 4FT WIDE.

59. GYPSUM WALLBOARD, 5/8" THICK, 4FT WIDE.

60. GYPSUM WALLBOARD, 5/8" THICK, 4FT WIDE.

61. GYPSUM WALLBOARD, 5/8" THICK, 4FT WIDE.

62. GYPSUM WALLBOARD, 5/8" THICK, 4FT WIDE.

63. GYPSUM WALLBOARD, 5/8" THICK, 4FT WIDE.

64. GYPSUM WALLBOARD, 5/8" THICK, 4FT WIDE.

65. GYPSUM WALLBOARD, 5/8" THICK, 4FT WIDE.

66. GYPSUM WALLBOARD, 5/8" THICK, 4FT WIDE.

67. GYPSUM WALLBOARD, 5/8" THICK, 4FT WIDE.

68. GYPSUM WALLBOARD, 5/8" THICK, 4FT WIDE.

69. GYPSUM WALLBOARD, 5/8" THICK, 4FT WIDE.

70. GYPSUM WALLBOARD, 5/8" THICK, 4FT WIDE.

71. GYPSUM WALLBOARD, 5/8" THICK, 4FT WIDE.

72. GYPSUM WALLBOARD, 5/8" THICK, 4FT WIDE.

73. GYPSUM WALLBOARD, 5/8" THICK, 4FT WIDE.

74. GYPSUM WALLBOARD, 5/8" THICK, 4FT WIDE.

75. GYPSUM WALLBOARD, 5/8" THICK, 4FT WIDE.

76. GYPSUM WALLBOARD, 5/8" THICK, 4FT WIDE.

77. GYPSUM WALLBOARD, 5/8" THICK, 4FT WIDE.

78. GYPSUM WALLBOARD, 5/8" THICK, 4FT WIDE.

79. GYPSUM WALLBOARD, 5/8" THICK, 4FT WIDE.

80. GYPSUM WALLBOARD, 5/8" THICK, 4FT WIDE.

81. GYPSUM WALLBOARD, 5/8" THICK, 4FT WIDE.

82. GYPSUM WALLBOARD, 5/8" THICK, 4FT WIDE.

83. GYPSUM WALLBOARD, 5/8" THICK, 4FT WIDE.

84. GYPSUM WALLBOARD, 5/8" THICK, 4FT WIDE.

85. GYPSUM WALLBOARD, 5/8" THICK, 4FT WIDE.

86. GYPSUM WALLBOARD, 5/8" THICK, 4FT WIDE.

87. GYPSUM WALLBOARD, 5/8" THICK, 4FT WIDE.

88. GYPSUM WALLBOARD, 5/8" THICK, 4FT WIDE.

89. GYPSUM WALLBOARD, 5/8" THICK, 4FT WIDE.

90. GYPSUM WALLBOARD, 5/8" THICK, 4FT WIDE.

91. GYPSUM WALLBOARD, 5/8" THICK, 4FT WIDE.

92. GYPSUM WALLBOARD, 5/8" THICK, 4FT WIDE.

93. GYPSUM WALLBOARD, 5/8" THICK, 4FT WIDE.

94. GYPSUM WALLBOARD, 5/8" THICK, 4FT WIDE.

95. GYPSUM WALLBOARD, 5/8" THICK, 4FT WIDE.

96. GYPSUM WALLBOARD, 5/8" THICK, 4FT WIDE.

97. GYPSUM WALLBOARD, 5/8" THICK, 4FT WIDE.

98. GYPSUM WALLBOARD, 5/8" THICK, 4FT WIDE.

99. GYPSUM WALLBOARD, 5/8" THICK, 4FT WIDE.

100. GYPSUM WALLBOARD, 5/8" THICK, 4FT WIDE.

DAMMON ENGINEERING, INC.
LOUISIANA & MISSISSIPPI

Chief Engineer: Brian Mistich, PE
554 Old Spanish Trail
Stidlet, LA 70458

www.dammonengineering.com
info@dammonengineering.com
PH: 985.649.5822

BOYD FAMILY HOME
ARCHITECTURAL NOTES AND SCHEDULES

4800 DOWNMAN ROAD
NEW ORLEANS, LA

JOB No: 2396 DATE: 04-06-2019
DRAWN BY: JAVMM CHECKED BY: [Signature]

REVISIONS

#	DESCRIPTION	DATE

SHEET NO: **A103** of 22